


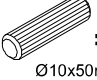

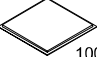
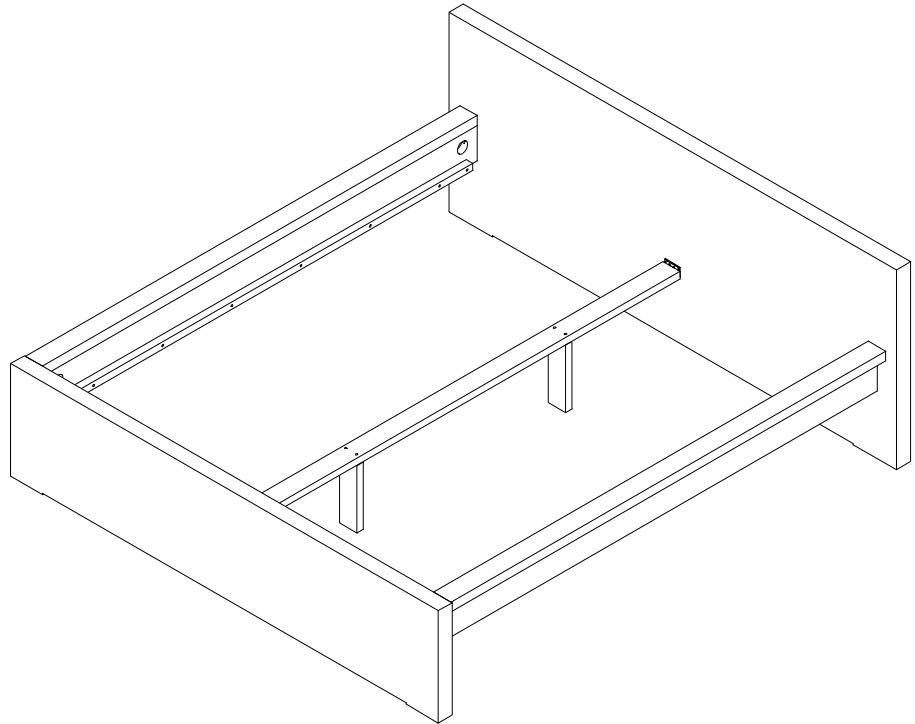


KHELI

A		=4 M8x120mm
B		=4
C		=4
D		=20 Ø10x50mm
E		=1 GLUE
F		=1 100X100mm

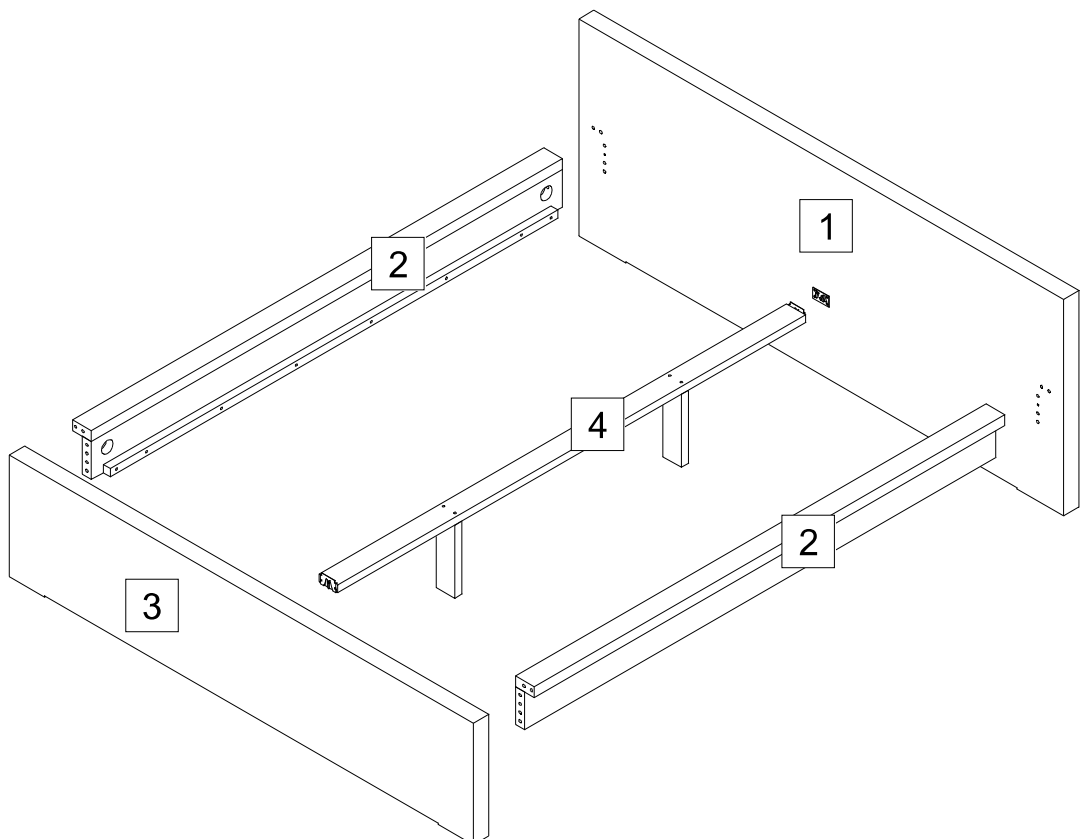


1 = 1

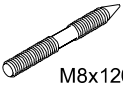
2 = 2


3 = 1

4 = 1

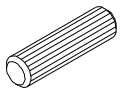


1 / 2

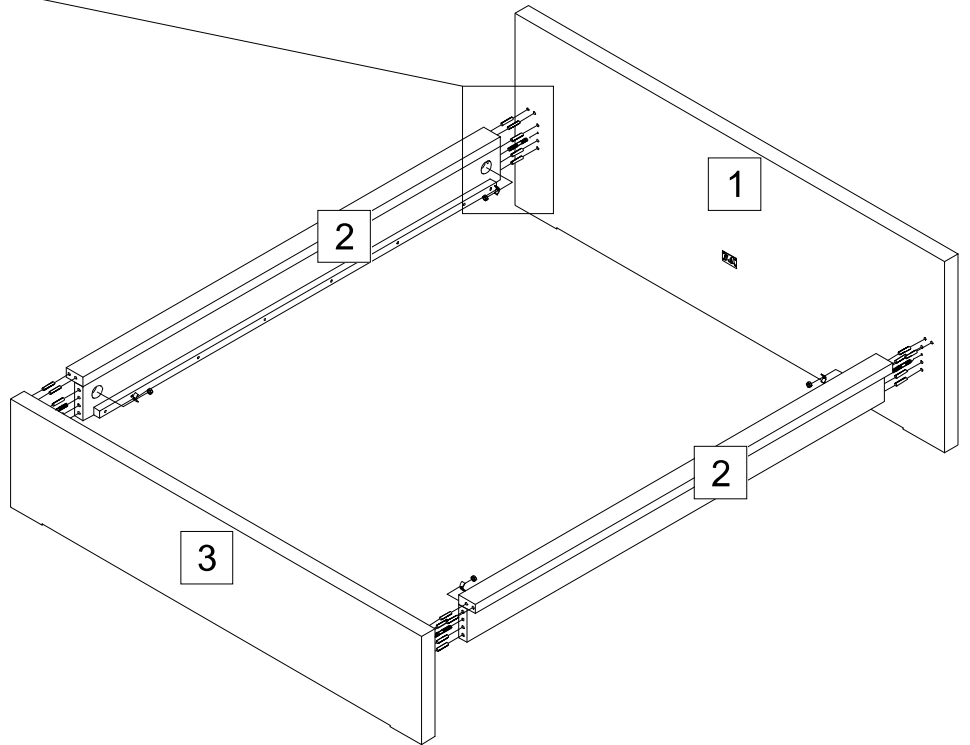
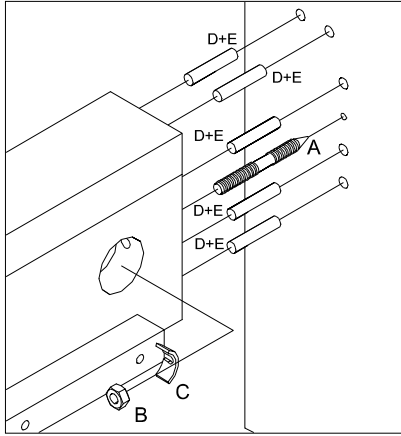
A  =4
M8x120mm

B  =4

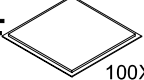
C  =4

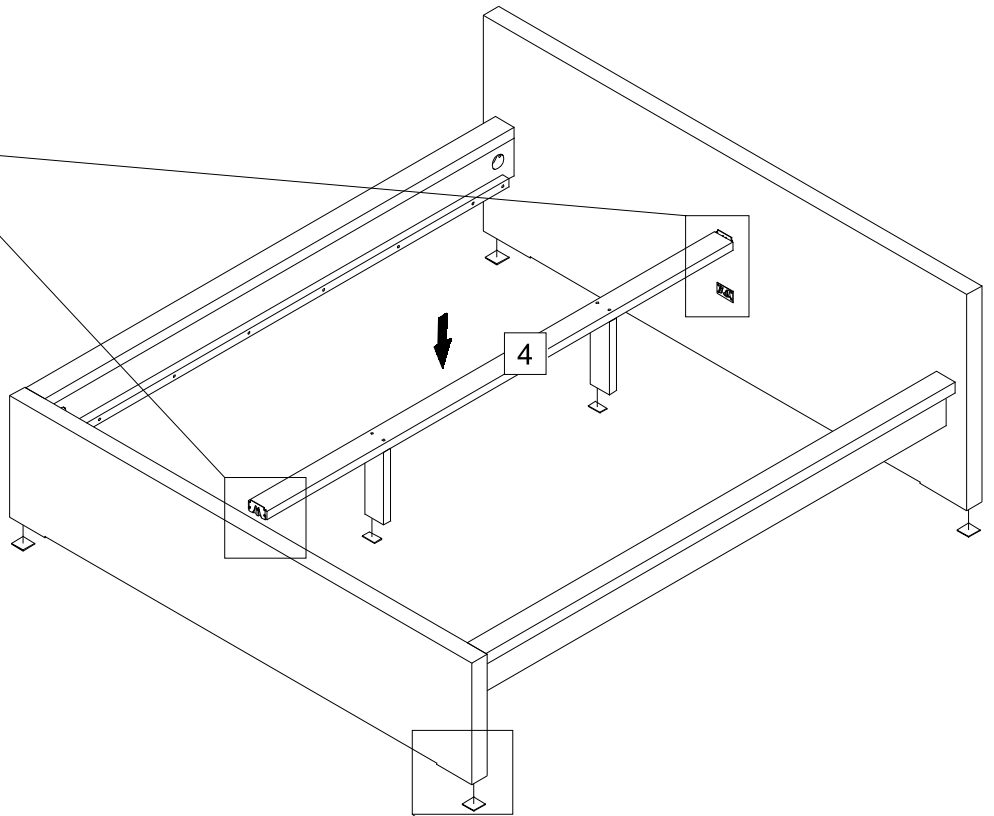
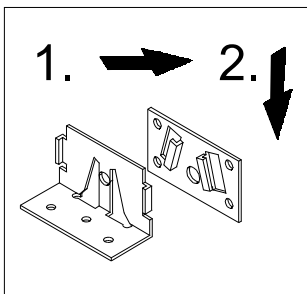
D  =20
Ø10x50mm

E  =1
GLUE



1

F  =1
100X100mm



2

2 / 2

