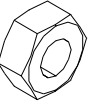


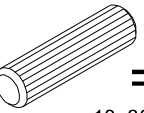
# KHOLI

## QUINCAILLERIE

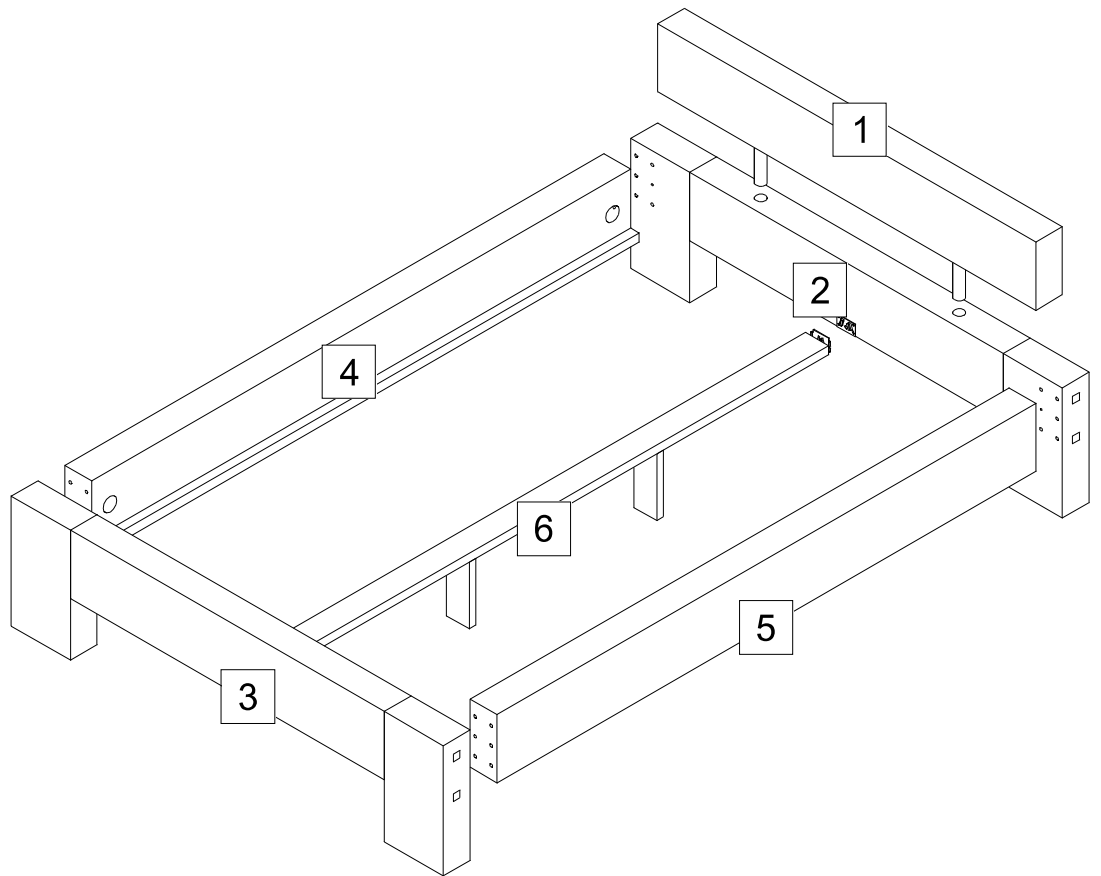
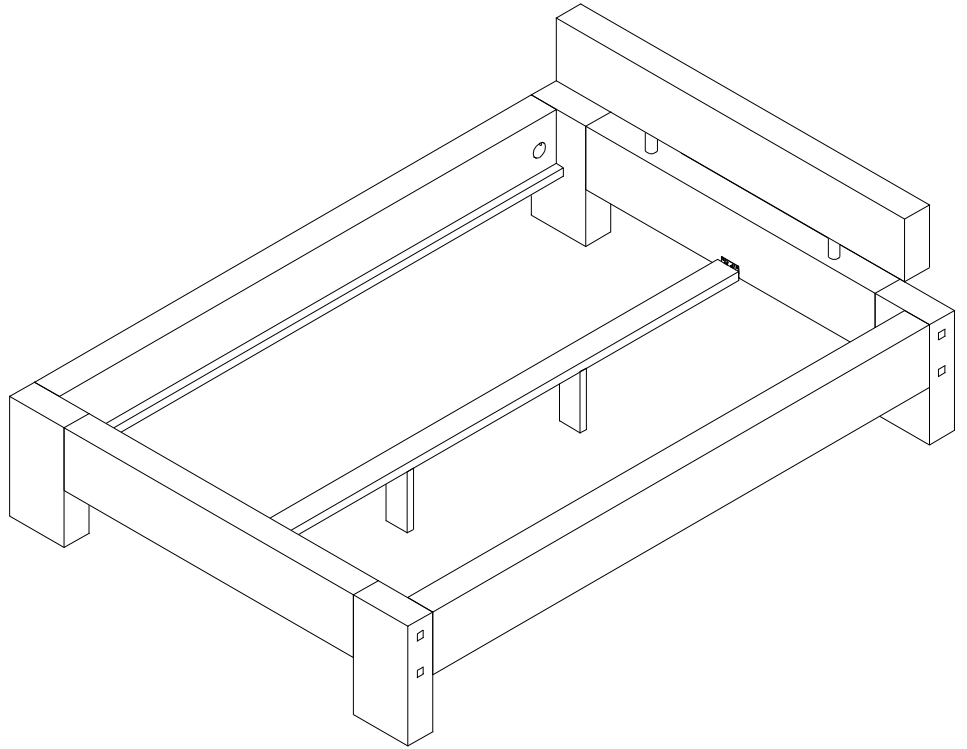
A  = 4


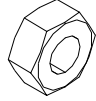

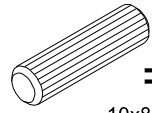
B  = 4

C  = 4

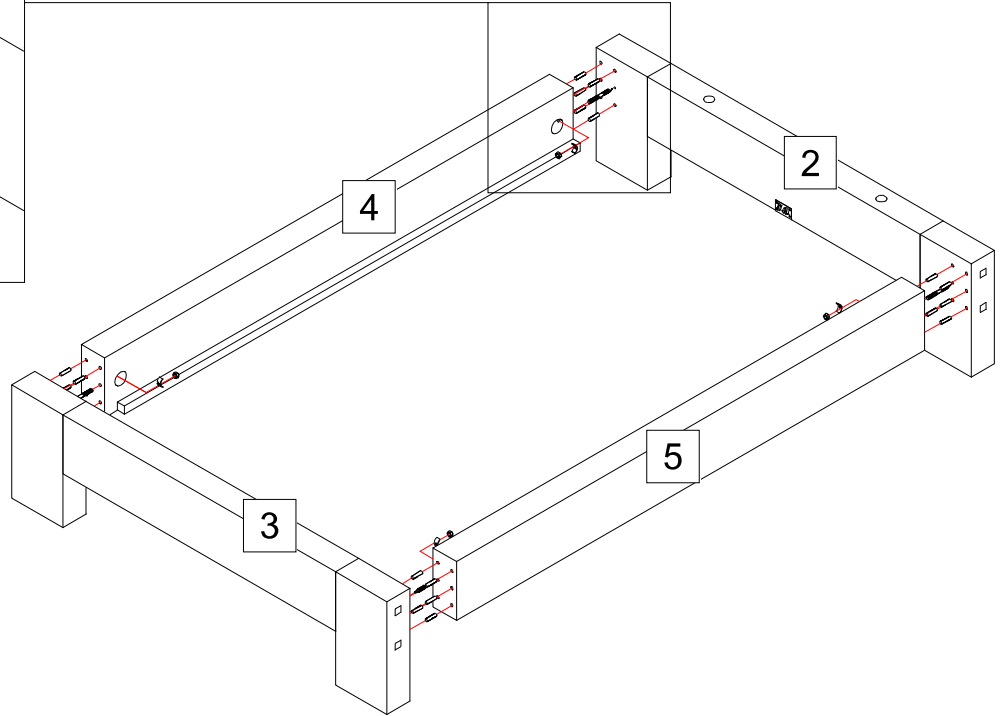
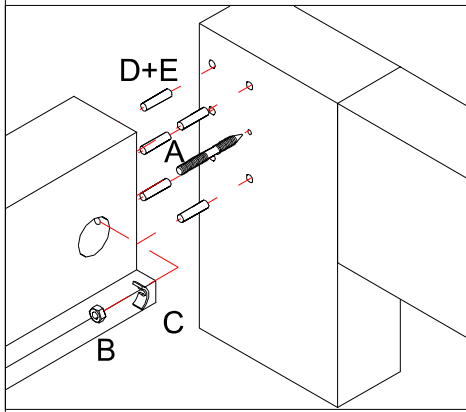
D  = 20  
10x80 mm

E  = 1  
GLUE



A  = 4 B  = 4 C  = 4 D  = 20  
10x80 mm

E  = 1  
GLUE



1  
2

