

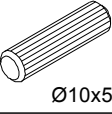

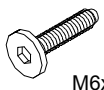
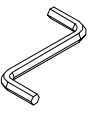

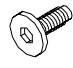
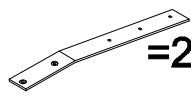
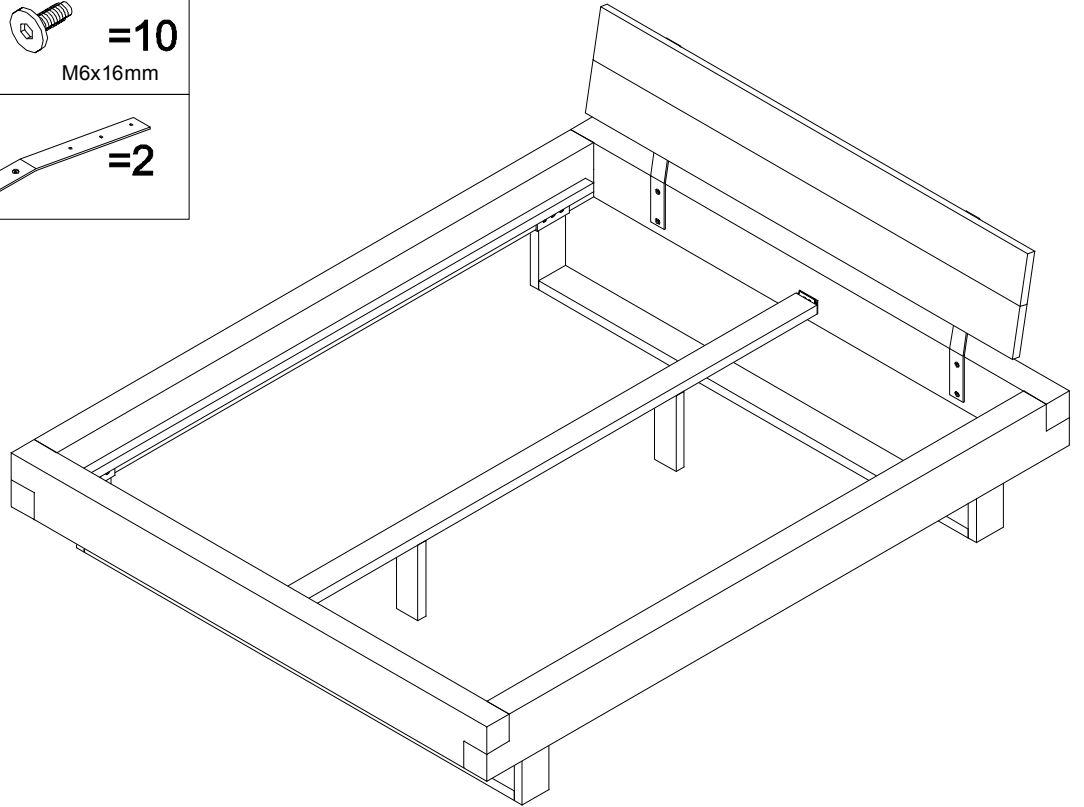


KNRDLI

| | |
|----------|--|
| A |  =4 M8x150mm |
| B |  =4 M8 |
| C |  =4 Ø10x50mm |
| D |  =1 GLUE |
| E |  =12 M6x25mm |
| F |  =1 SW4 |
| G |  =2 100x100mm |

| | |
|----------|--|
| H |  =10 M6x16mm |
| I |  =2 |



1 = 1

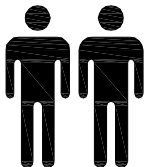
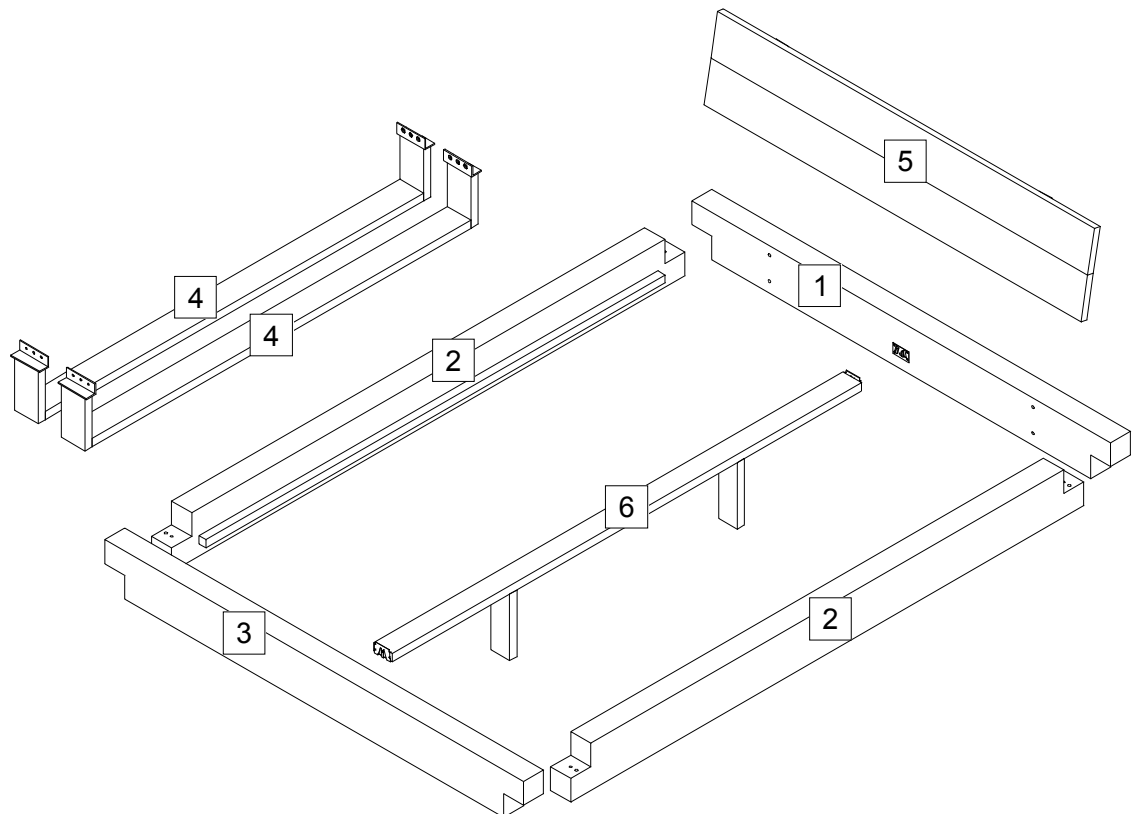
2 = 2


3 = 1

4 = 2

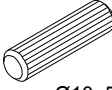
5 = 1

6 = 1

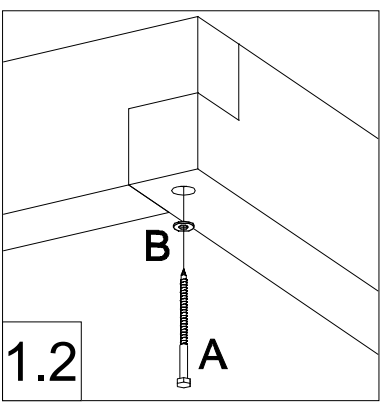
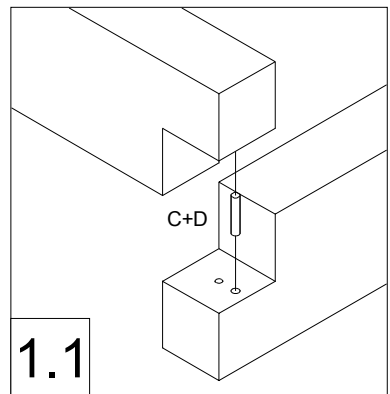
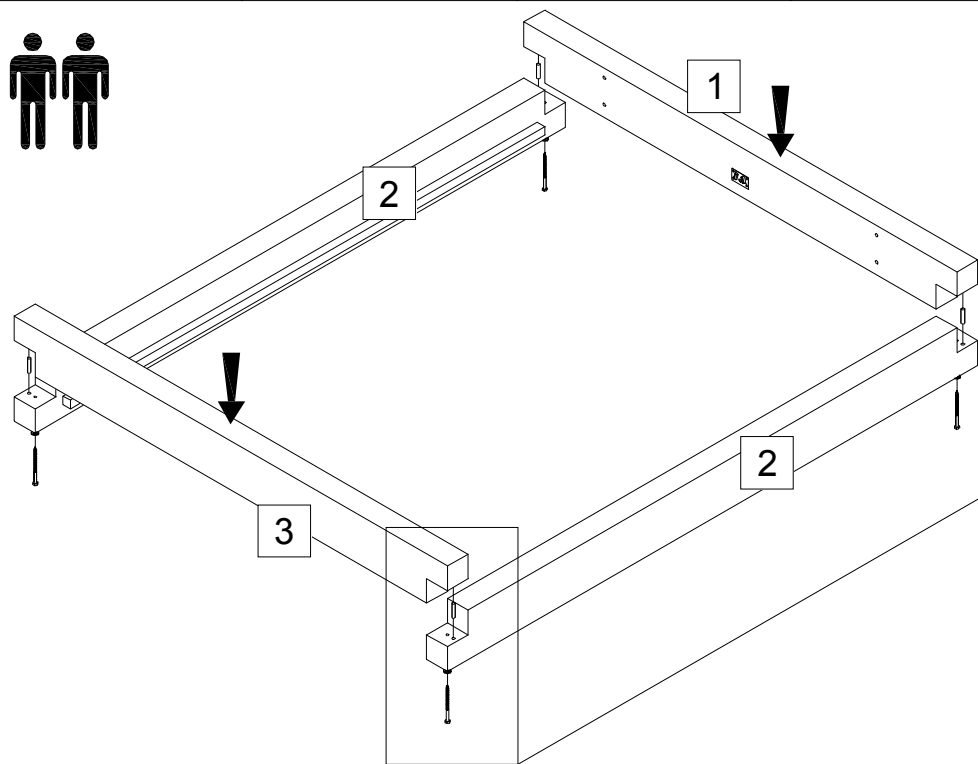
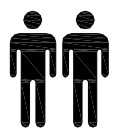


A  =4
M8x150mm

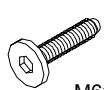
B  =4
M8

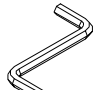
C  =4
Ø10x50mm


D  =1
GLUE

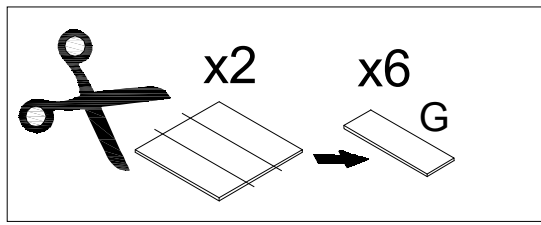
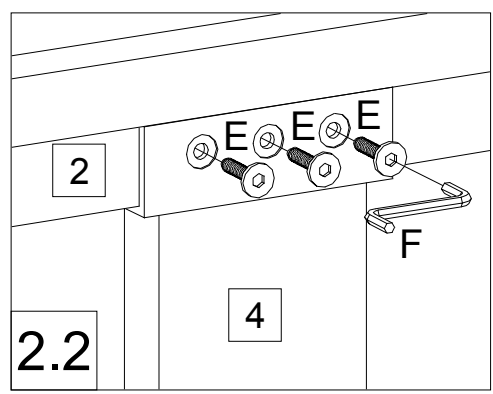
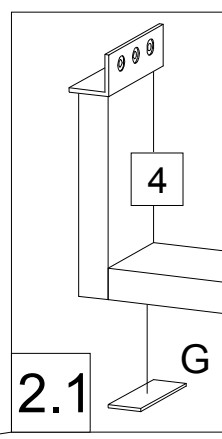
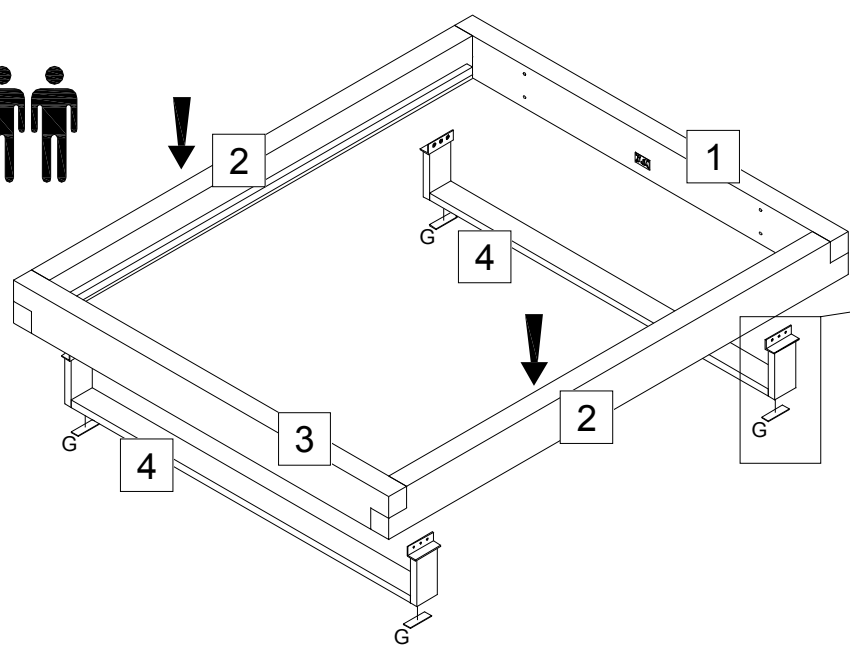
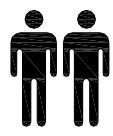


1

E  =12
M6x25mm


F  =1
SW4

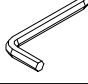
G  =2(4)
100x100mm

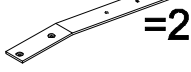


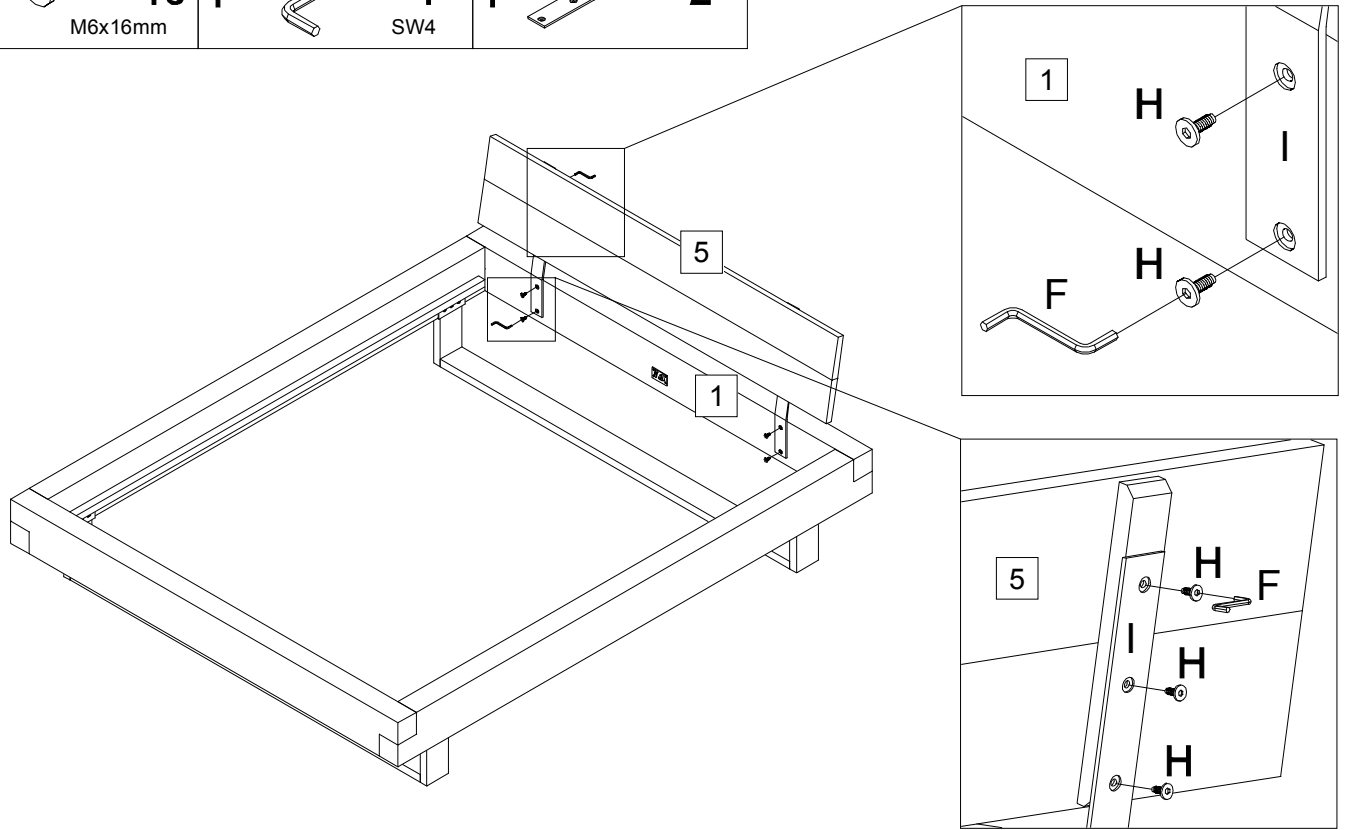
2

2 / 3

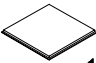
H  =10
M6x16mm

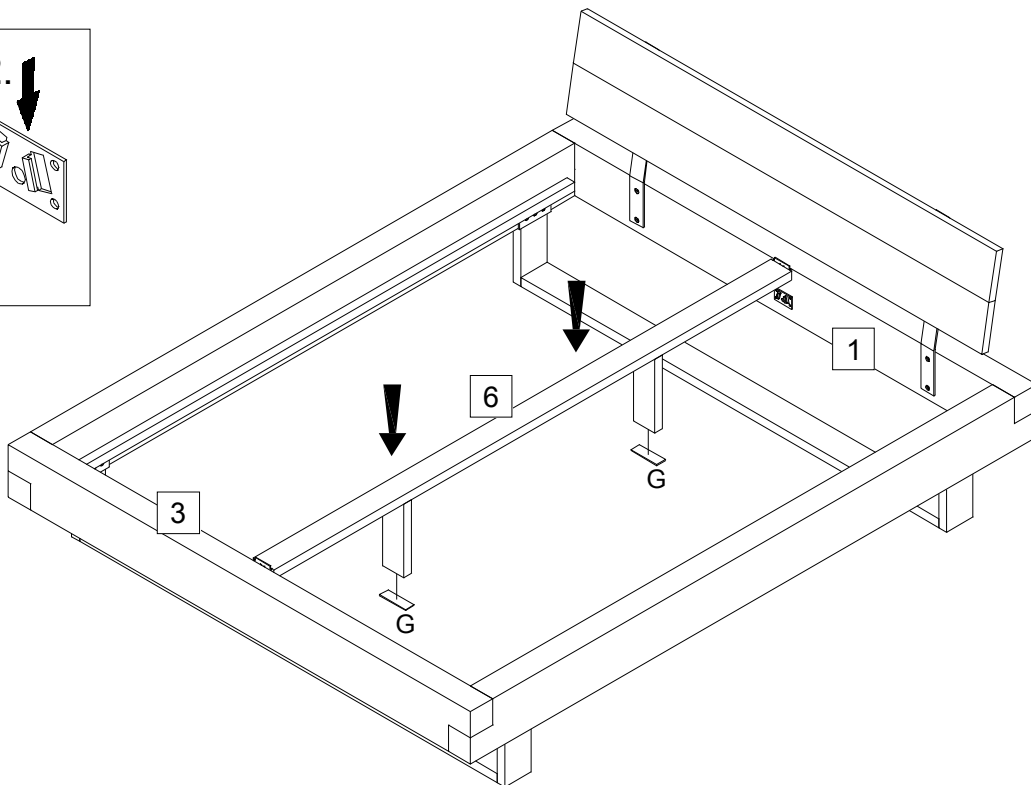
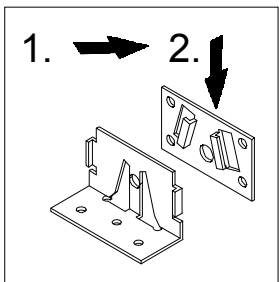
F  =1
SW4

I  =2



3

G  =2(2)
100x100mm



4