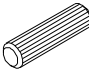
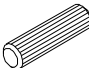

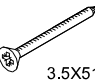


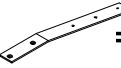
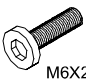
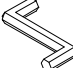
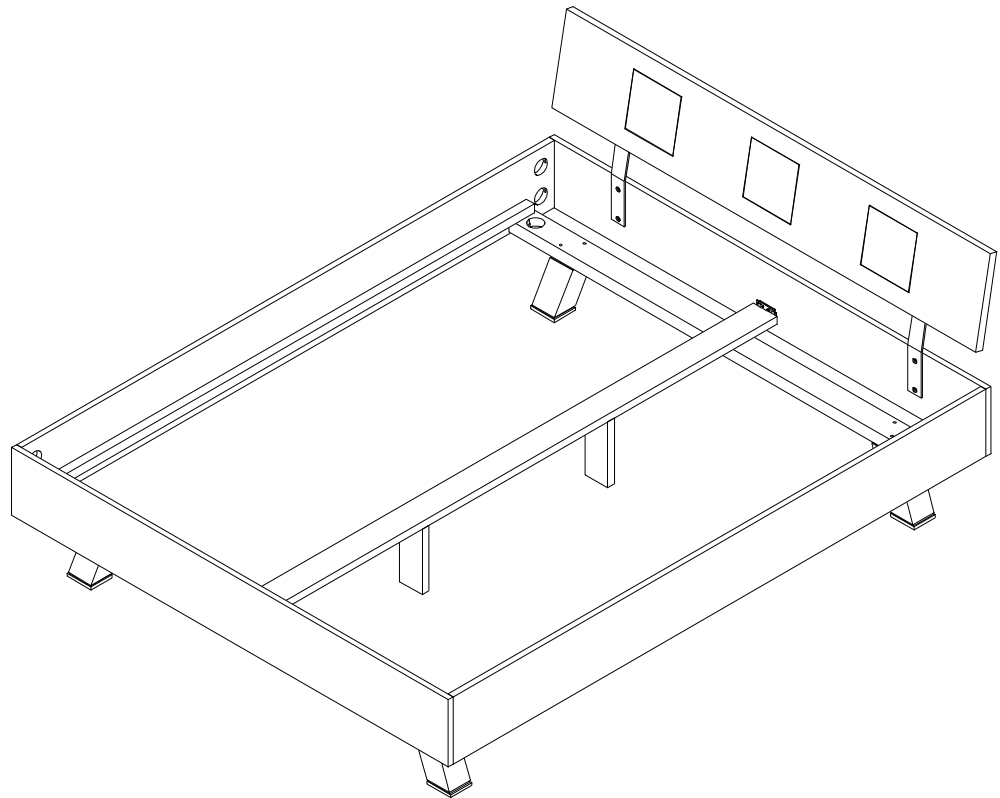
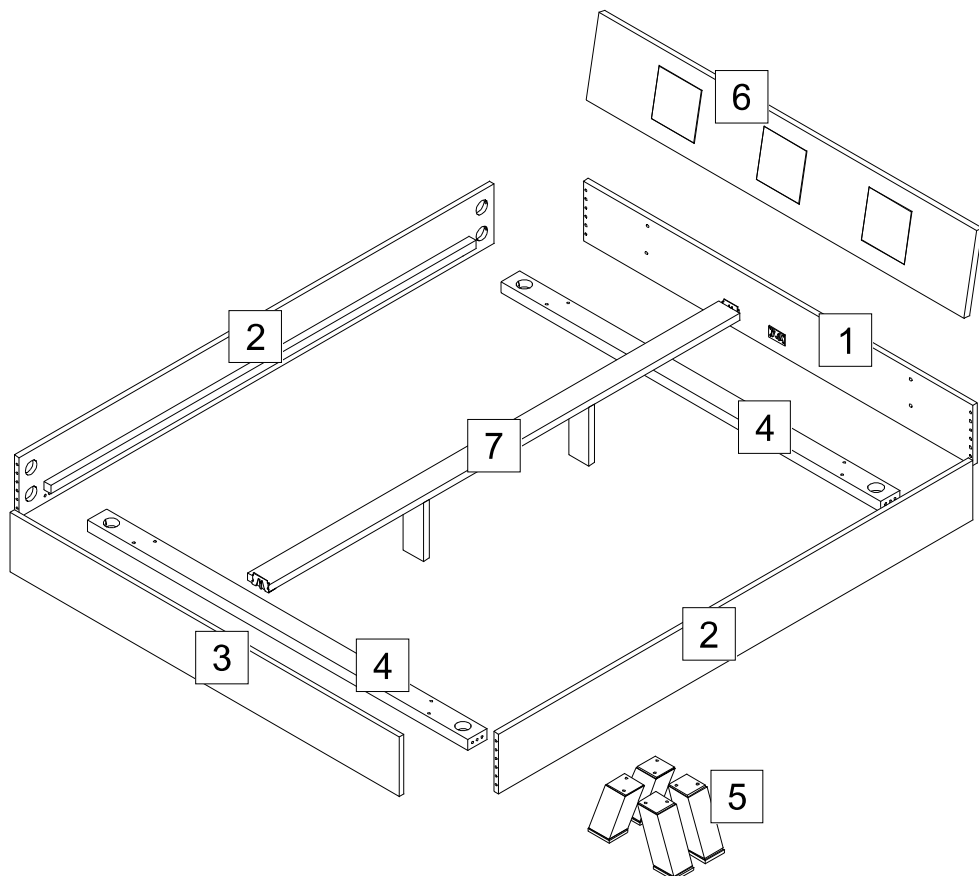


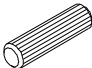

# KORLI


A		=8
	$\varnothing 8 \times 40 \text{mm}$	
B		=24
	$\varnothing 8 \times 30 \text{mm}$	
C		=1
	GLUE	
D		=8
	3.5X51mm	
E		=12
F		=12
G		=2
H		=10
	M6X20mm	
I		=1
	SW 4	

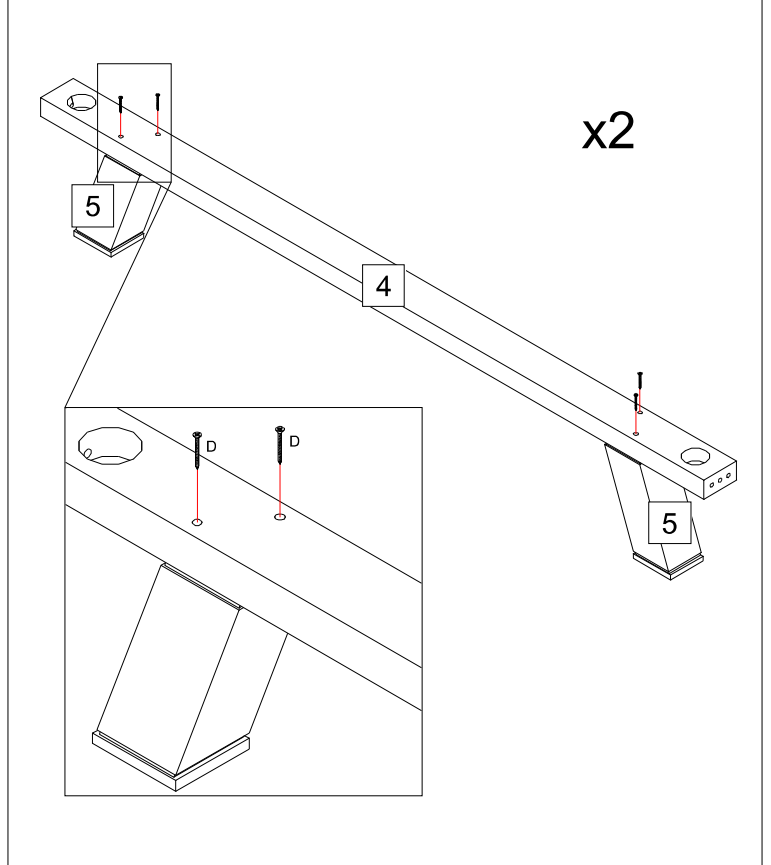
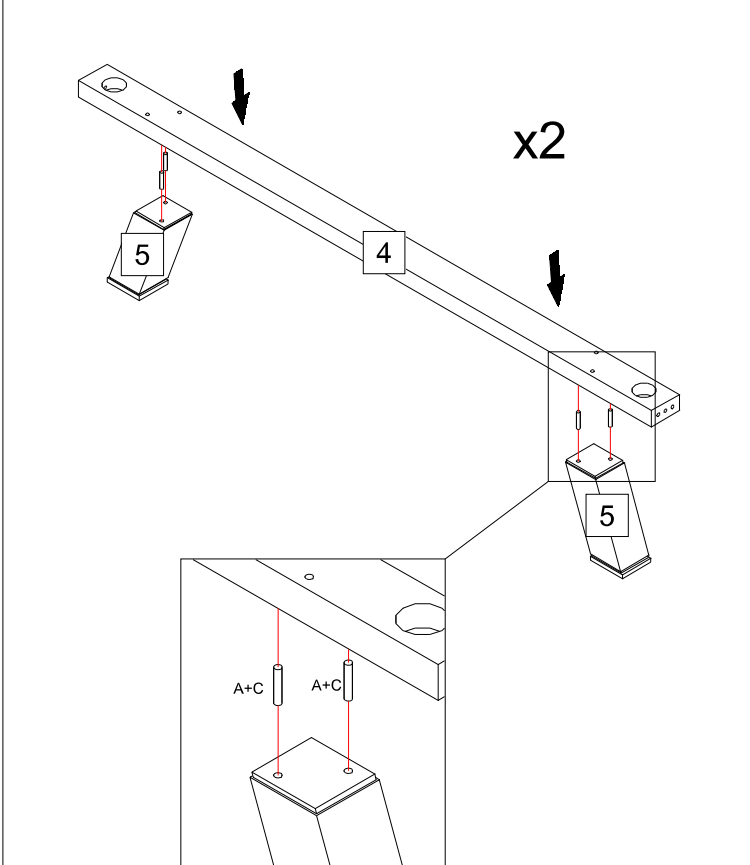


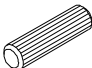



1	= 1
2	= 2
3	= 1
4	= 2
5	= 4
6	= 1
7	= 1

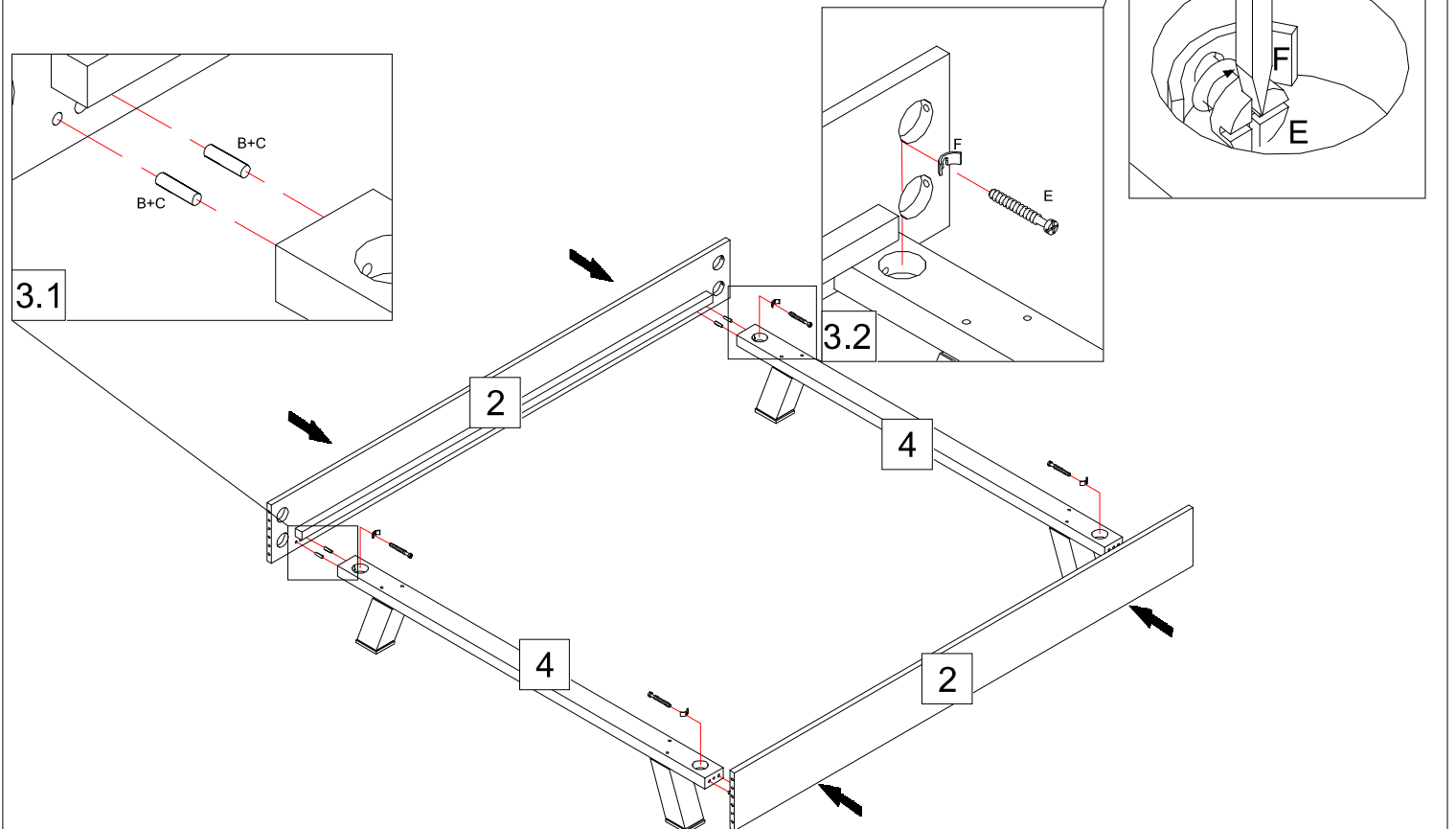


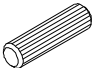
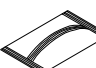


- A**  =8  
Ø8x40mm
- C**  =1  
GLUE

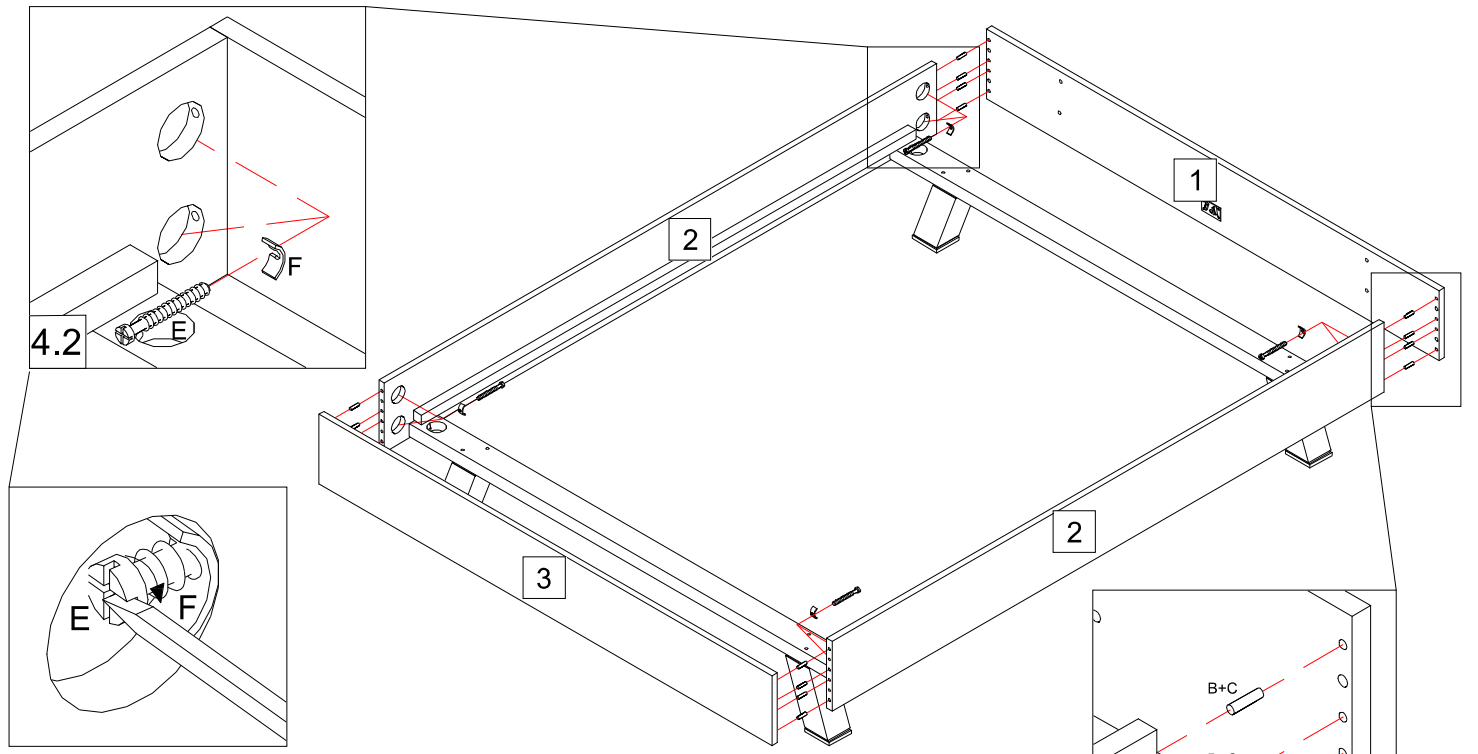
- D**  =8  
3.5x51mm



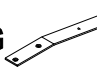

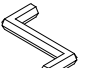
- B**  =8  
Ø8x30mm
- C**  =1  
GLUE
- E**  =4
- F**  =4

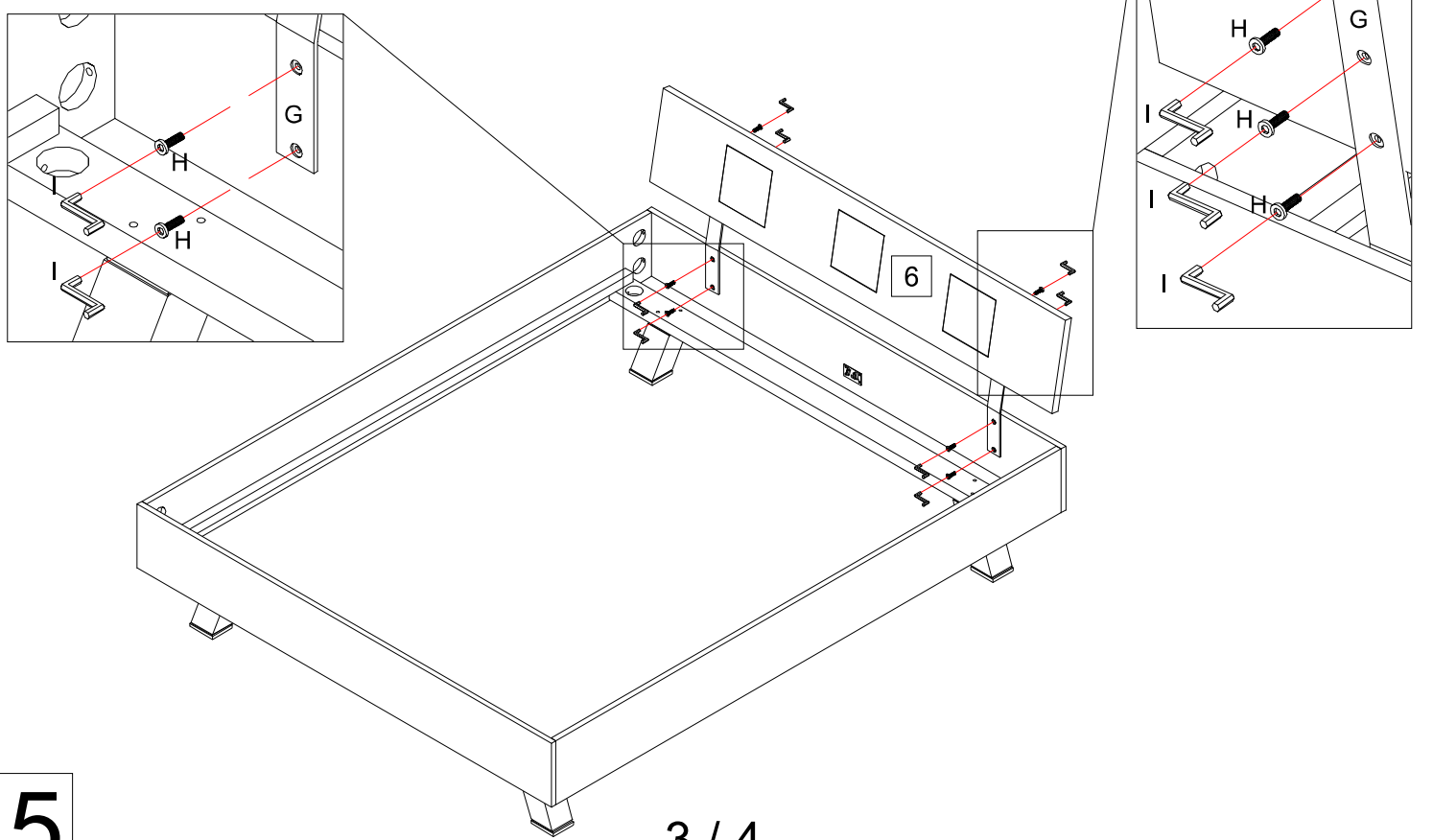


- B**  =16  $\varnothing 8 \times 30 \text{mm}$     **C**  =1 GLUE    **E**  =8    **F**  =8

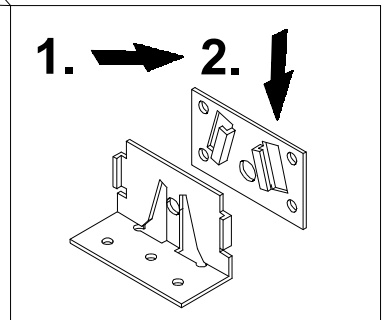
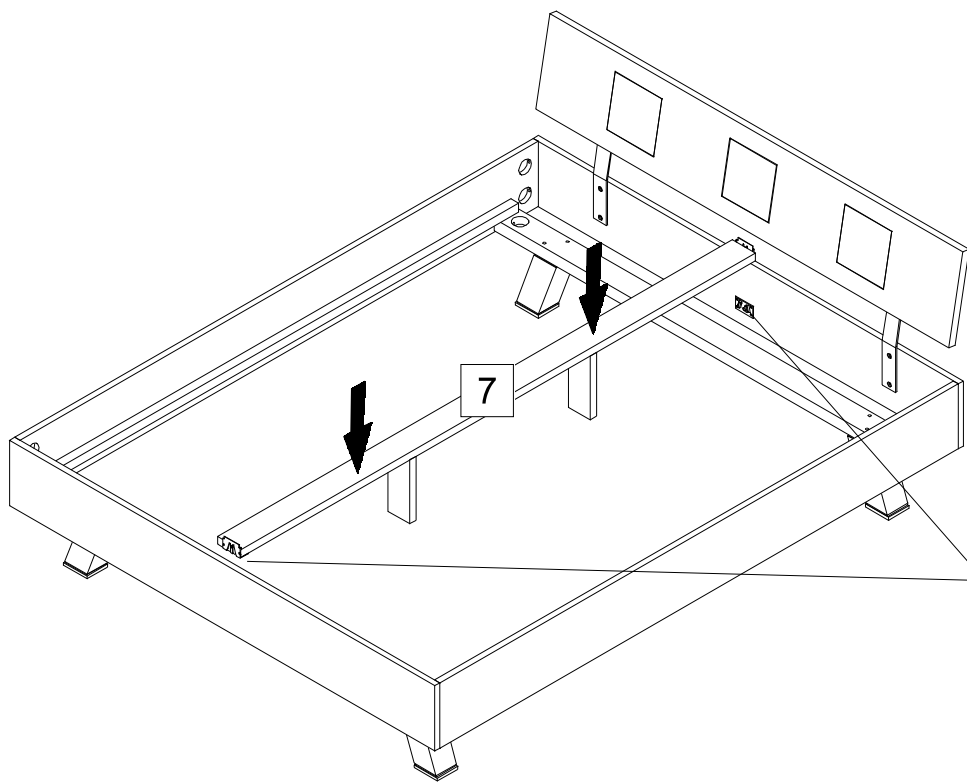


**4**

- G**  =2    **H**  =10 M6X20mm    **I**  =1 SW 4



**5**



6

