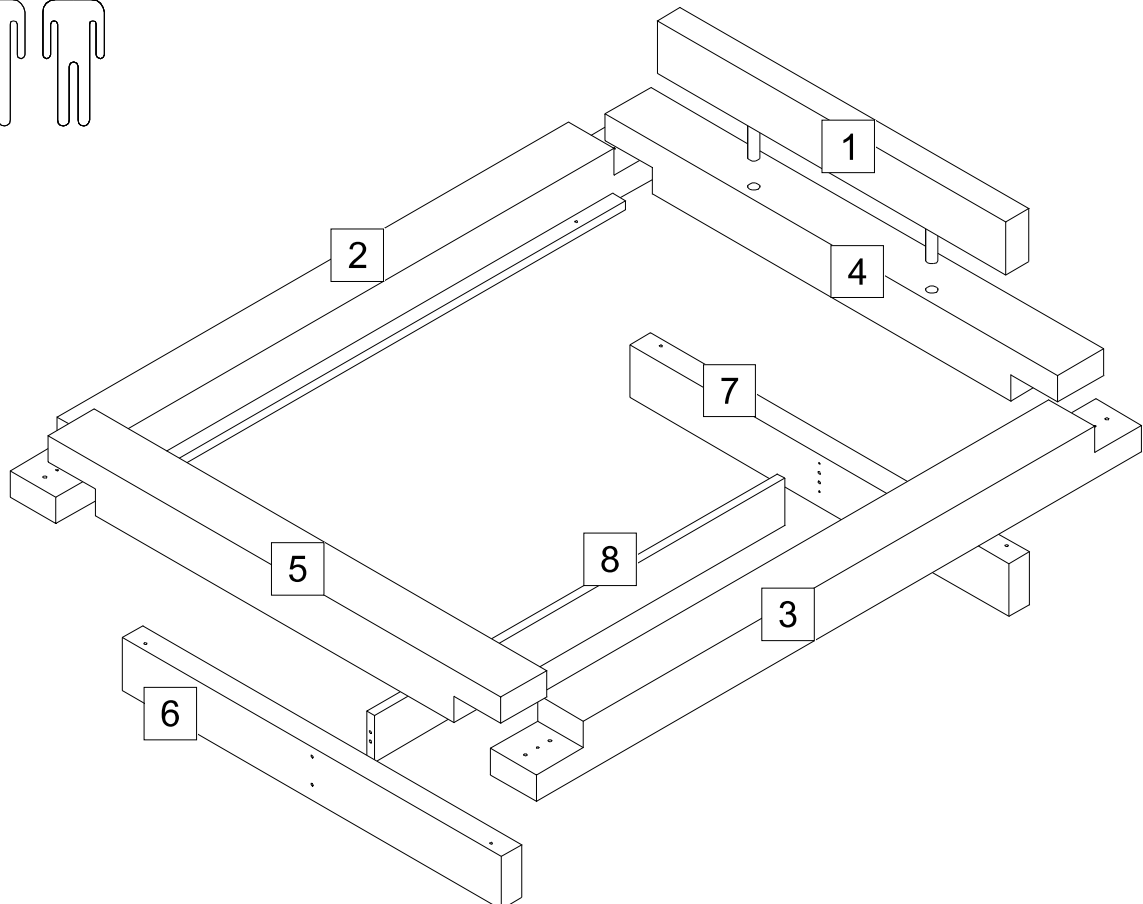
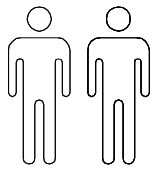
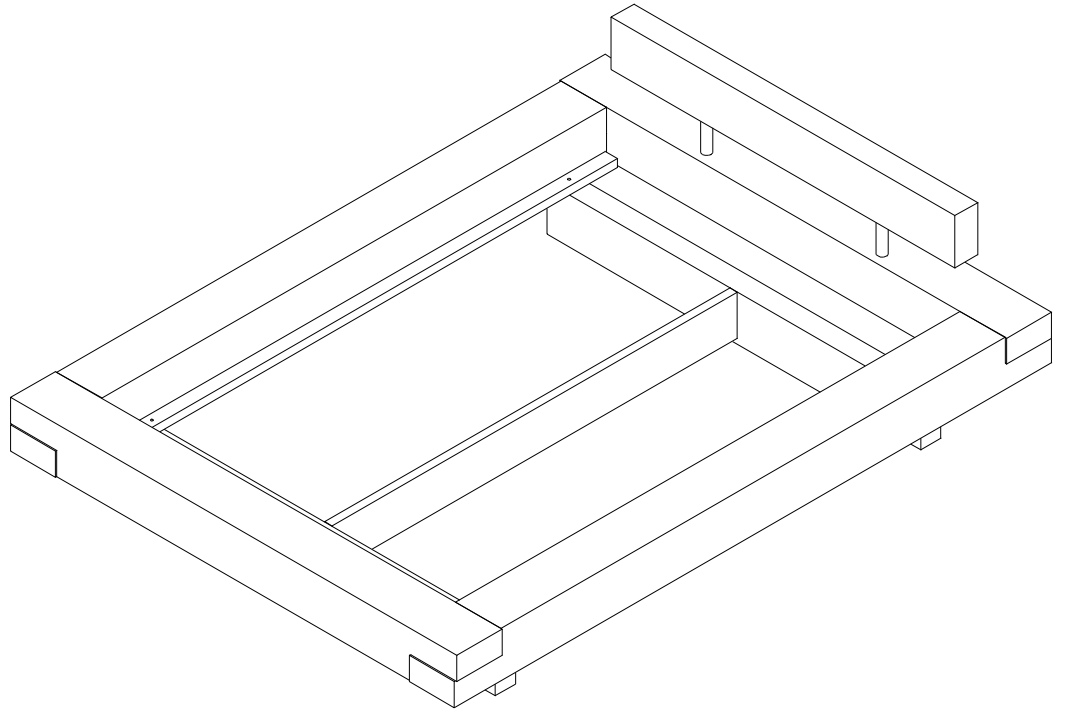
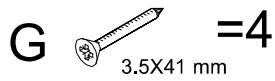
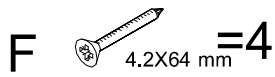
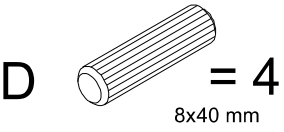
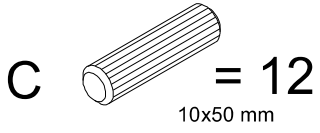
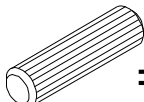
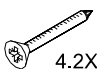
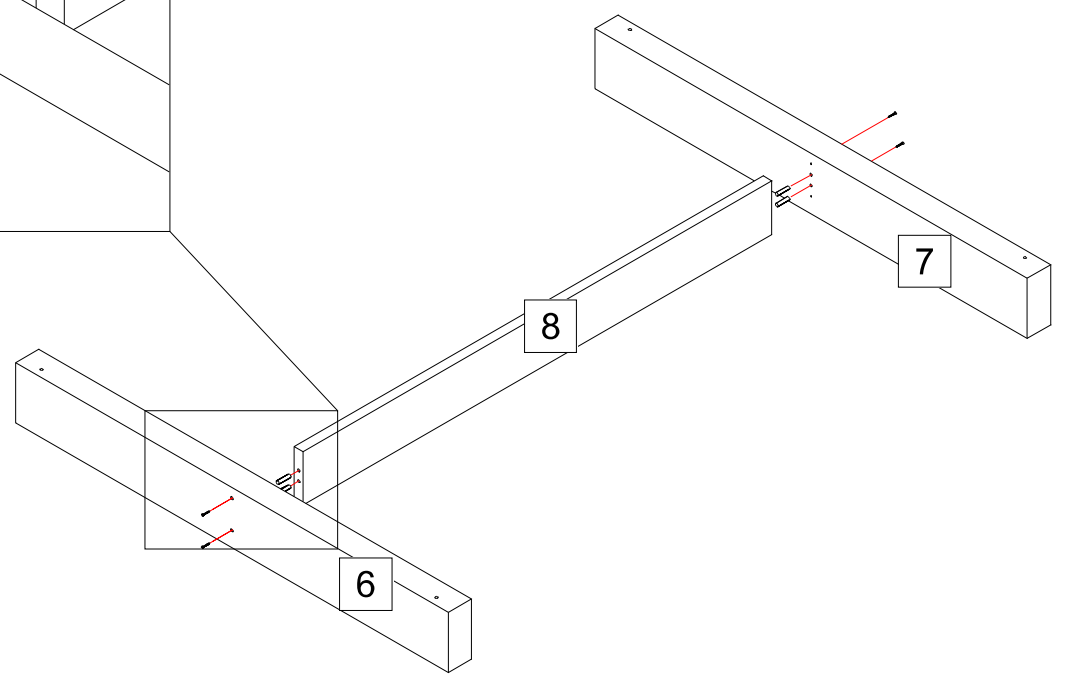
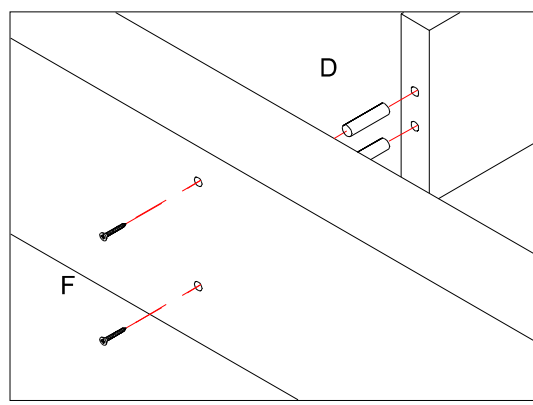


# KPOULI-140

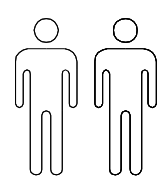
## QUINCAILLERIE

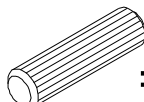



**D**  = 4 **F**  4.2X64 mm = 4  
8x40 mm

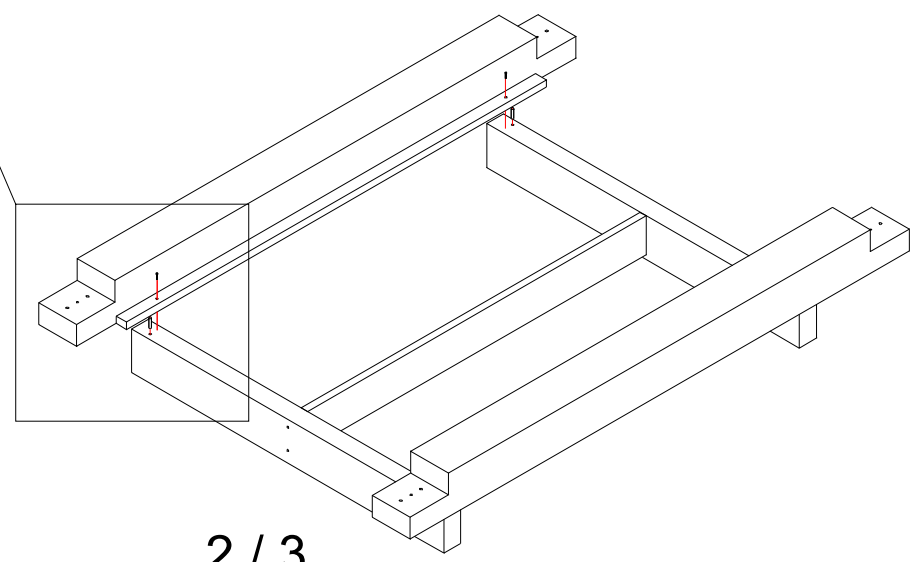
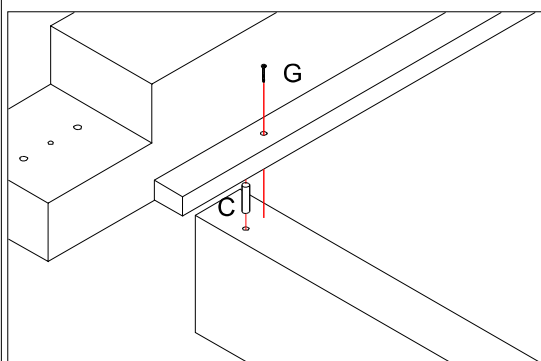


**1**  
**2**





**C**  = 4  
10x50 mm

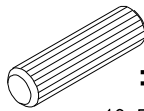

**G**  = 4  
3.5X41 mm



**ATTENTION !!!**

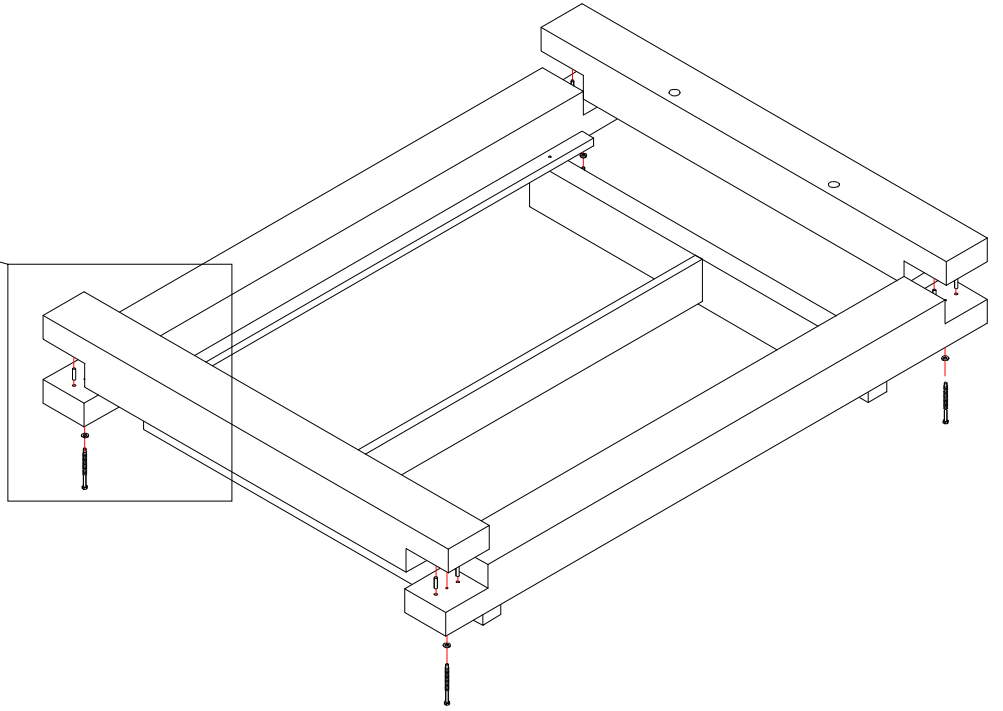
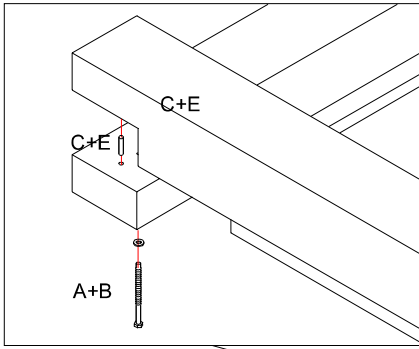
**A**  = 4 **B**  = 4

M8X150

**C**  = 8 **E**  = 1

10x50 mm

GLUE



**3**

**4**

