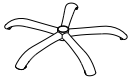
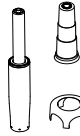
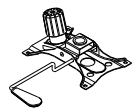
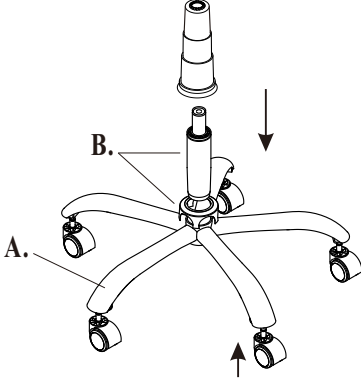
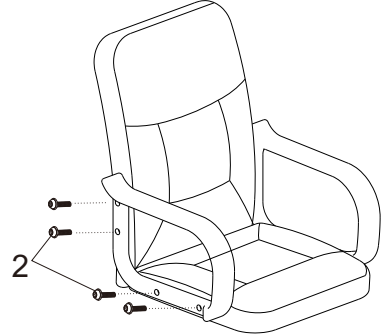
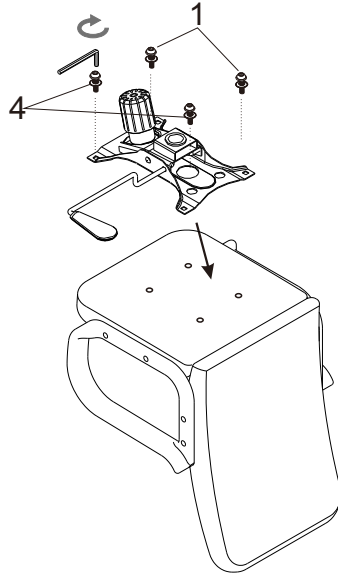
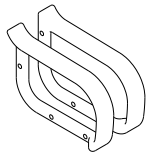


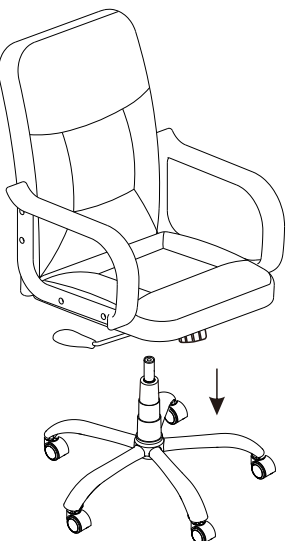
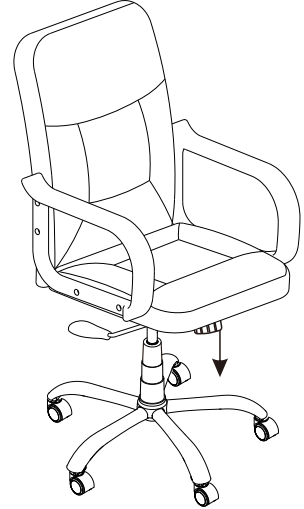






NOTICE DE MONTAGE

NIMECH5NO

A. BASE	B. CYLINDRE	C. MECANISME	1	2	3
 <p>x5</p>					
D. ACCOUDOIR	E. ARRIERE	F. ASSISE			
			<p data-bbox="707 866 752 914">4</p> 	<p data-bbox="1167 866 1211 914">5</p> 	<p data-bbox="1630 866 1675 914">6</p>
<p data-bbox="192 959 651 1126"> 1.  (m6x20) 4x 2.  (m6x25) 8x 3.  (m6) 4x 4.  (m5) 1x </p>					