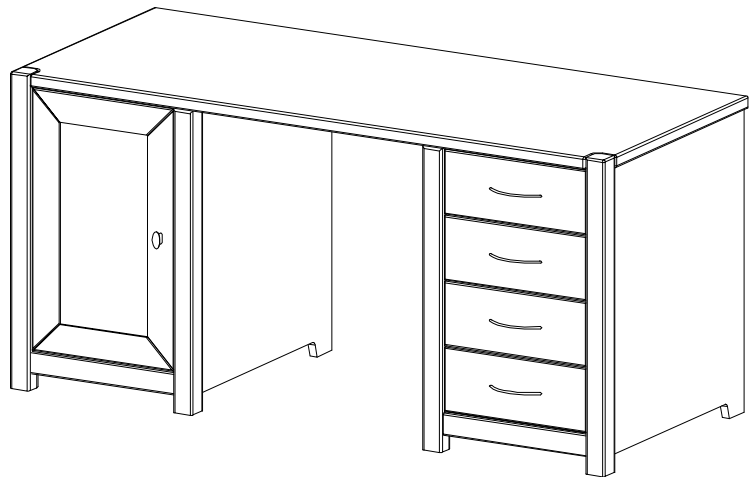








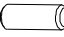










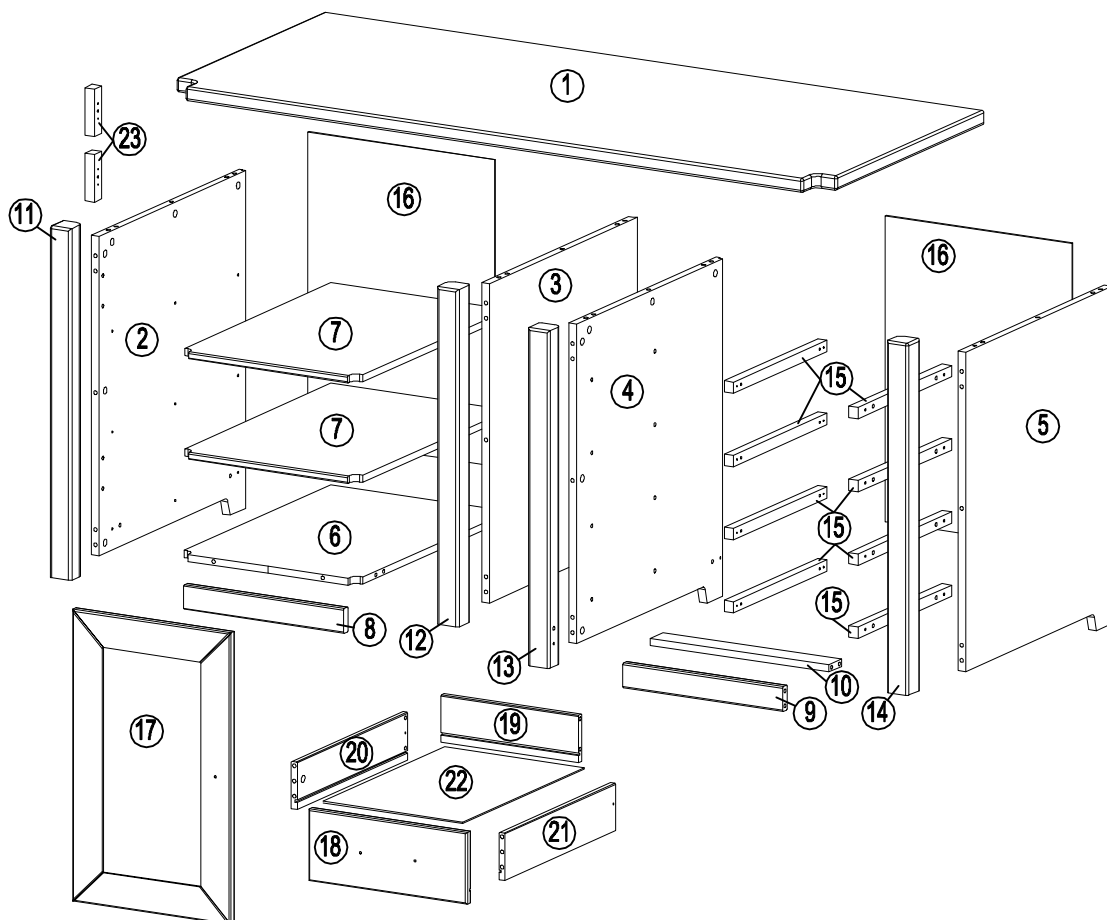
NOTICE DE MONTAGE

Bureau ministre FJORD

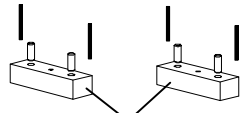
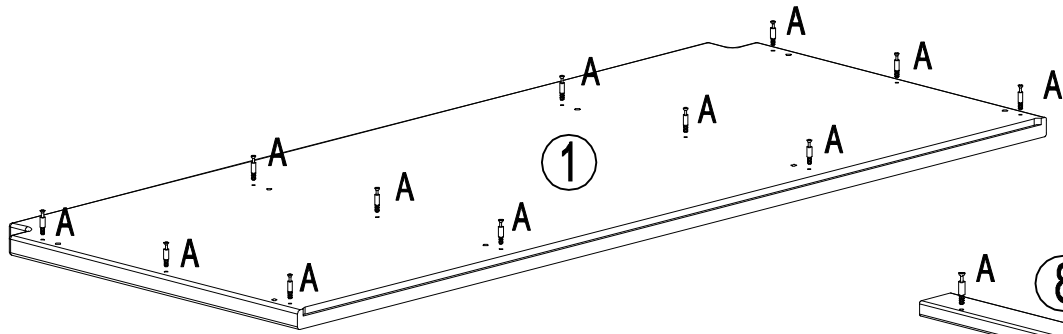
Ref: RJFJ BUR2MI



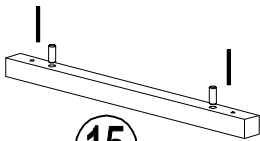
Ax44 	Bx44 	Cx2 	Dx2 	Ex12 	Fx1 
Gx40  Ø3.5x15	Hx9  M4x22	Ix20  Ø8x20	Jx50 	Kx26  Ø3.5x35	Lx56  Ø8x32
Mx4 	Px4  a)  b)  c)  d)				



1

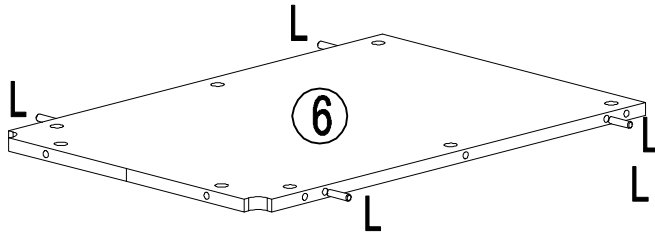


23

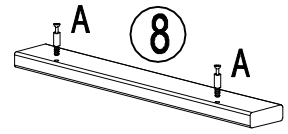


15

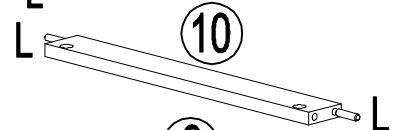
x8



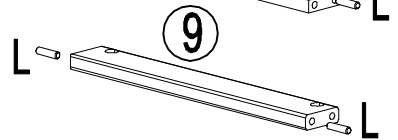
6



8



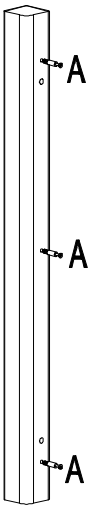
10



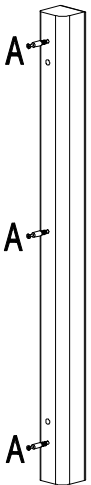
9

2

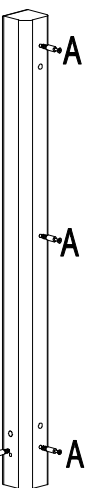
11



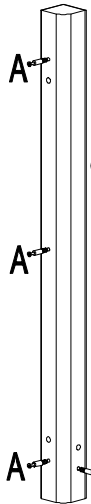
12



13

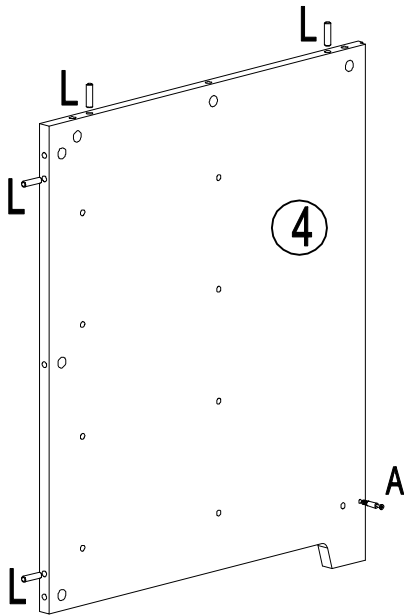


14

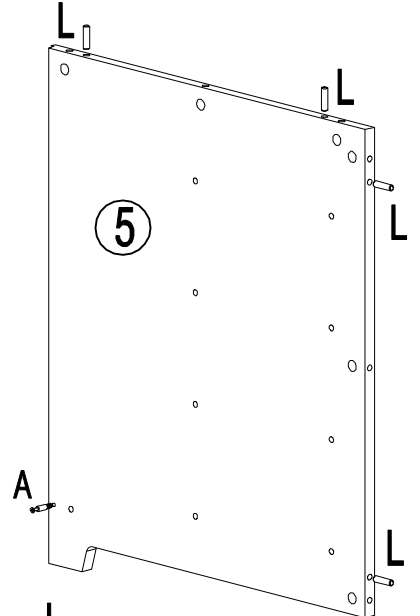


3

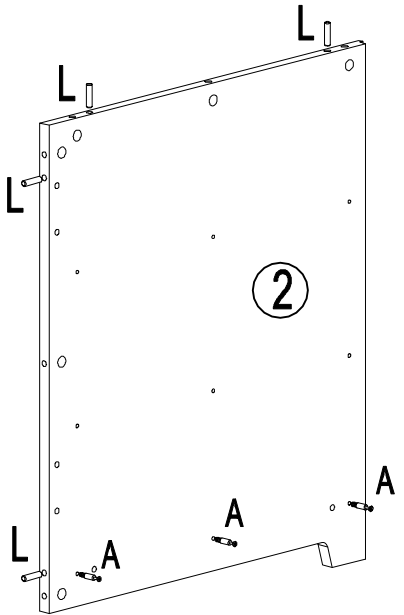
4



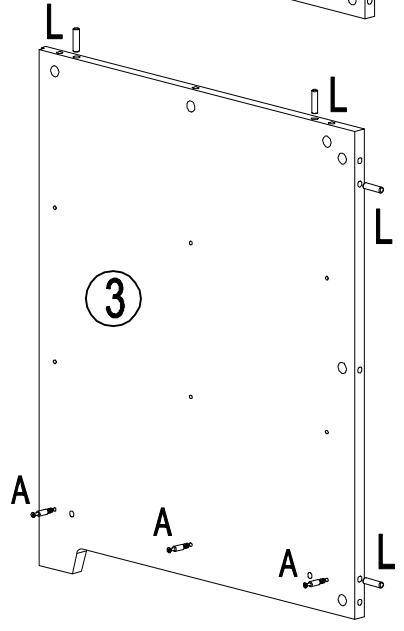
5

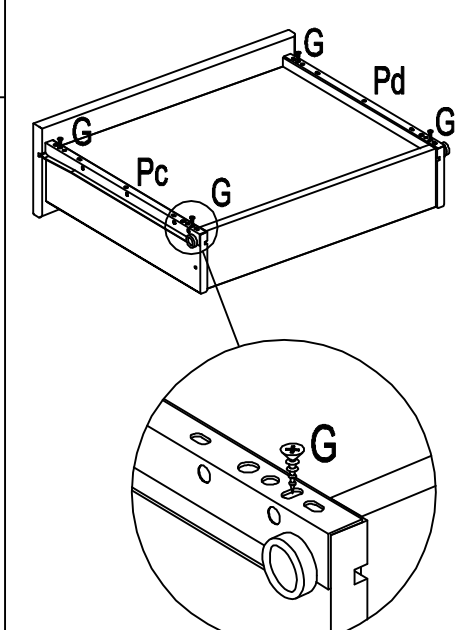
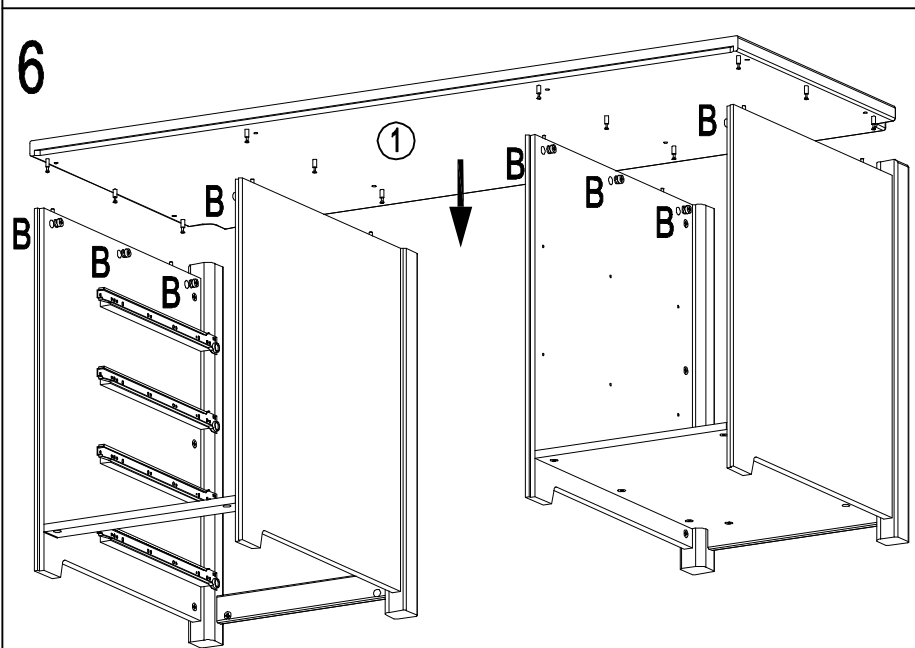
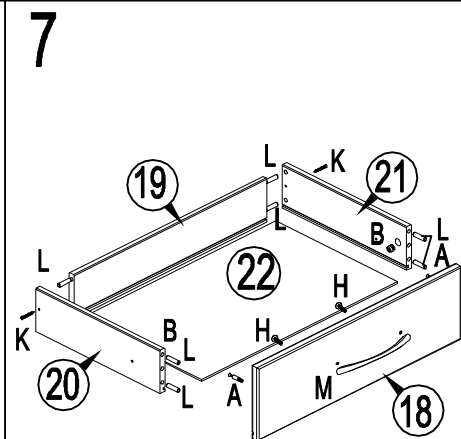
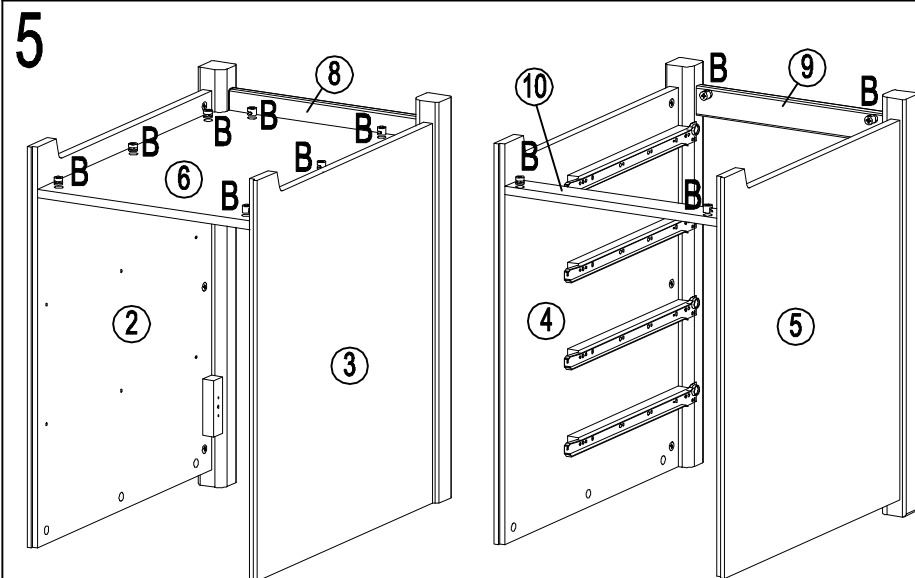
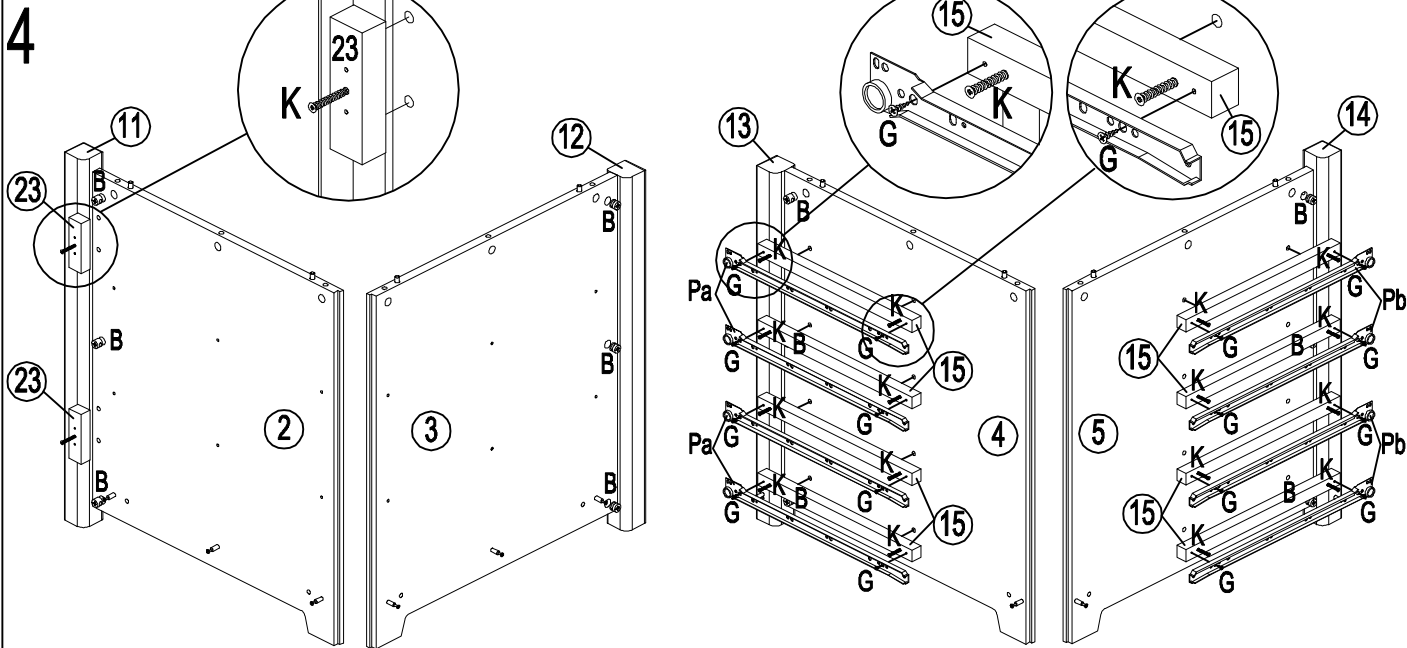


2



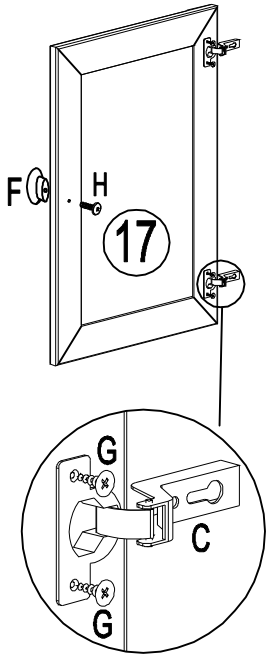
3



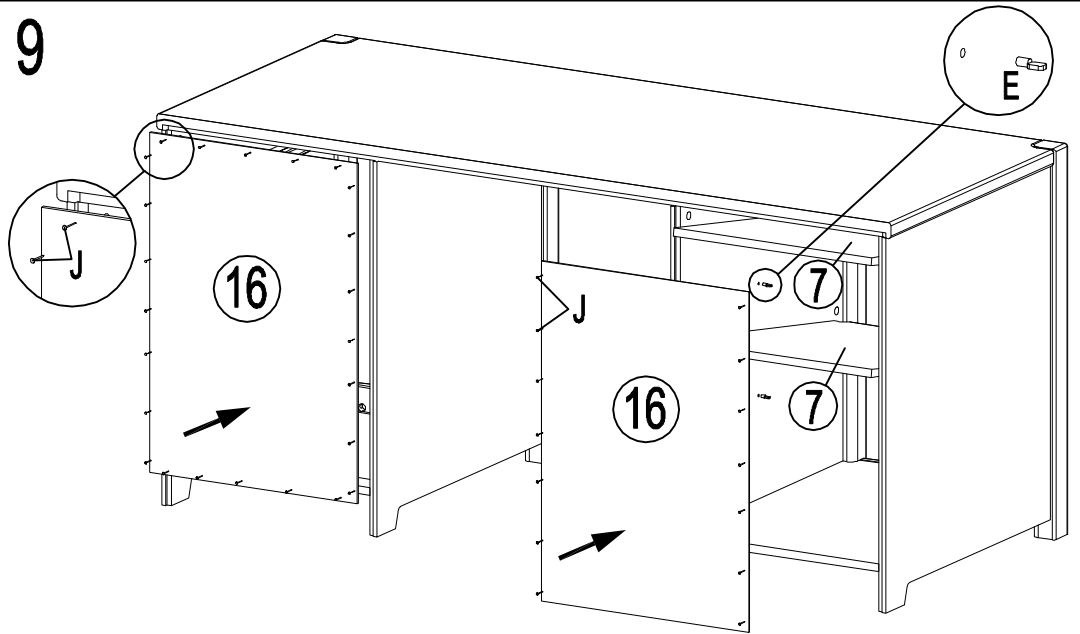


x4

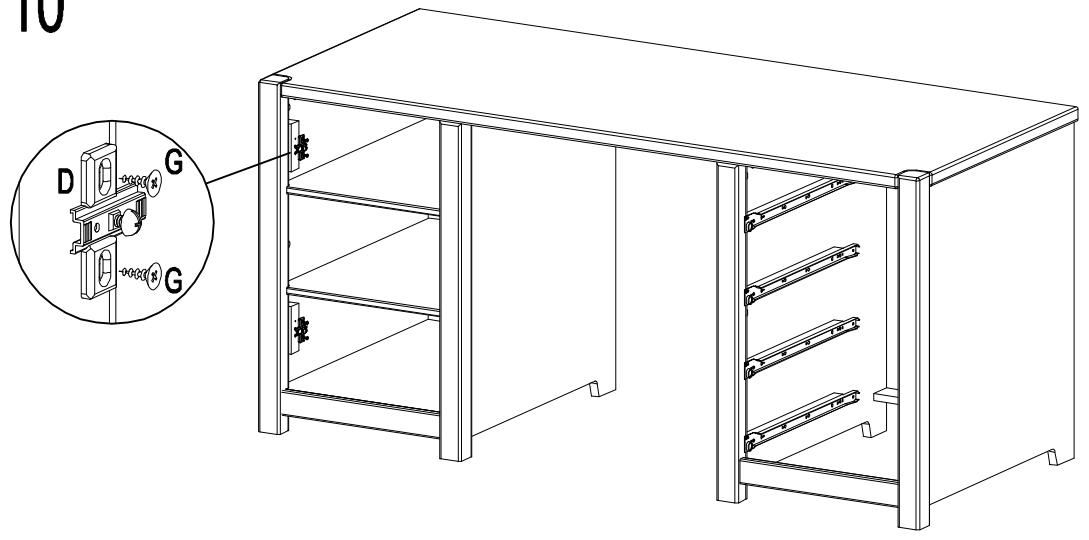
8



9



10



11

