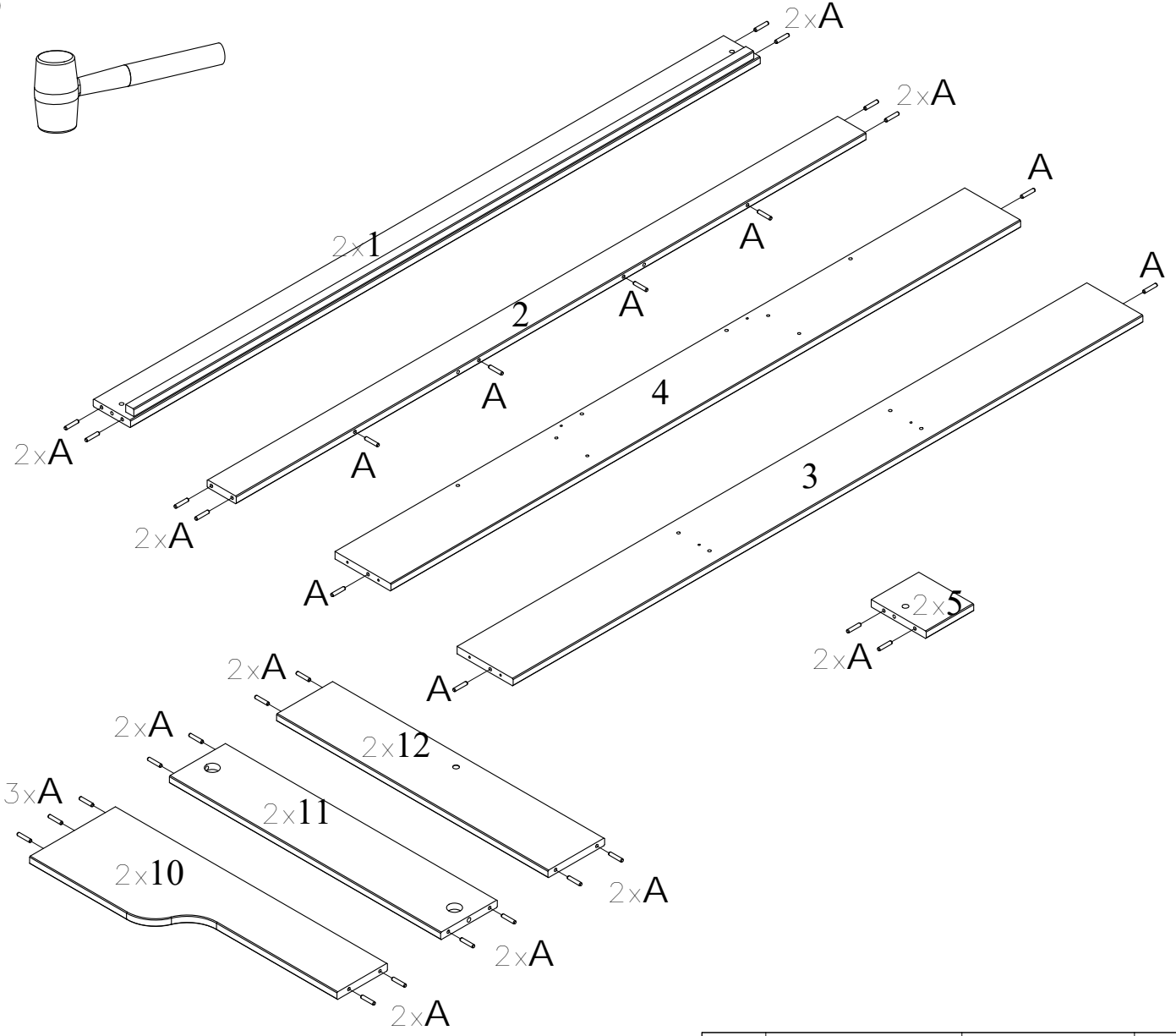


A		8x40	x50
B		7x50	x4
C		7x60	x12
D		D35	x4
E		7x34	x4
F		D15x12	x4

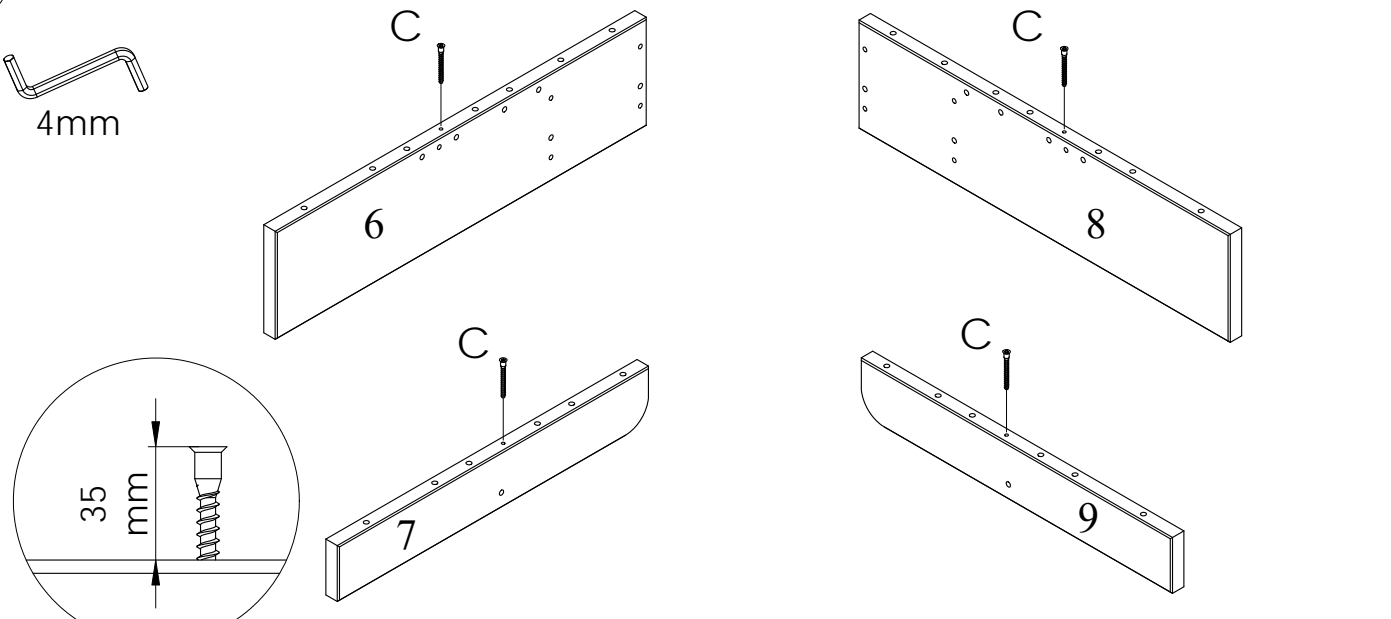
G		M6x60	x4
H		M6x10x13	x4
J		1,6x16	x25
K		3,5x40	x6
L		D24x3	x4
M		4mm	x1


①



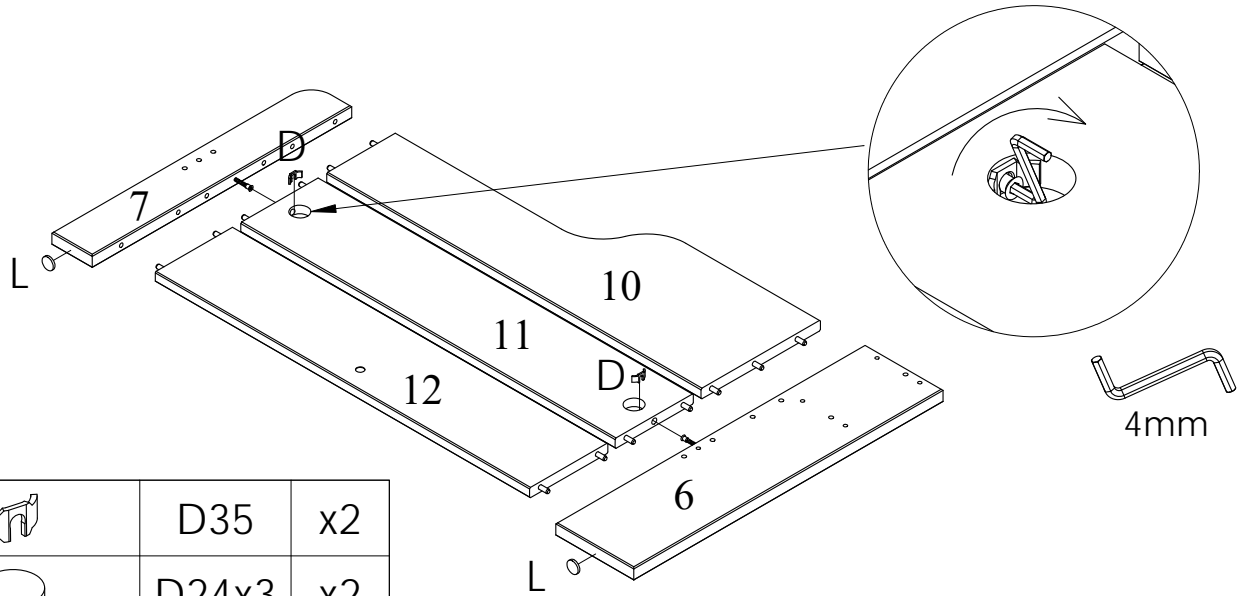
A		8x40	x50
---	---	------	-----



②



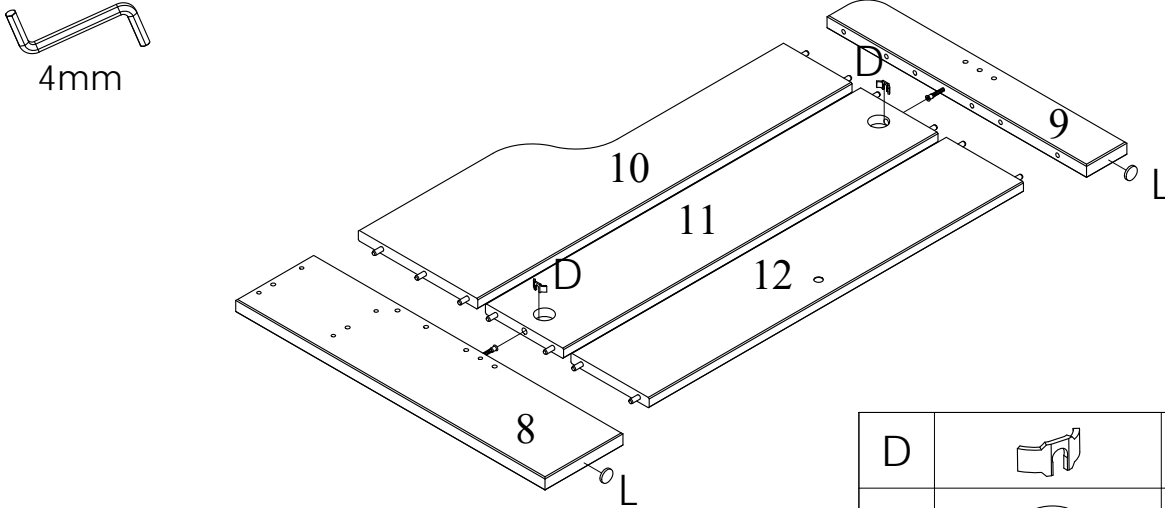
C		7x60	x4
---	---	------	----



3



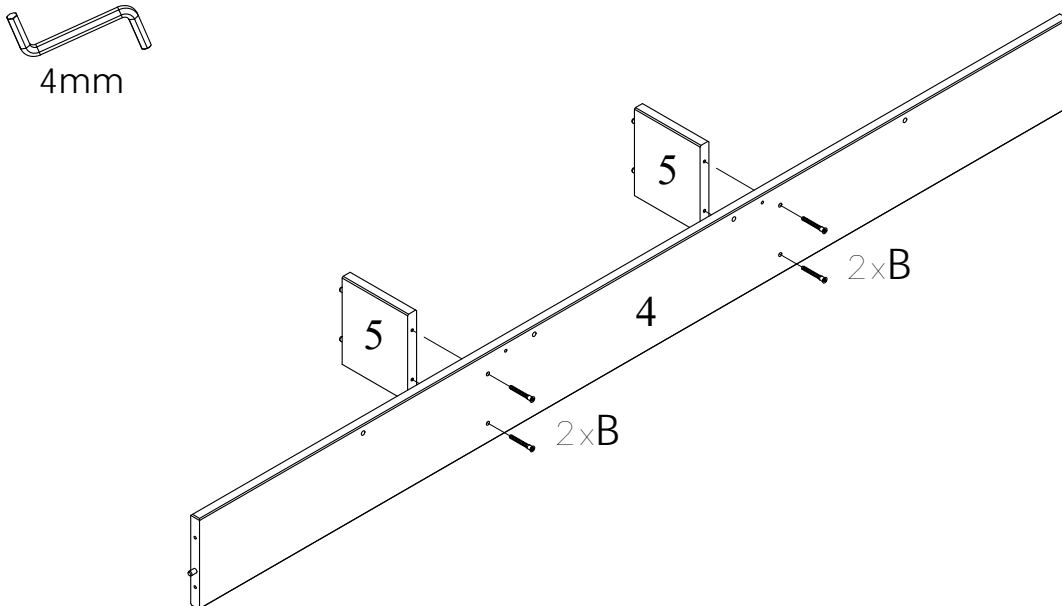
D		D35	x2
L		D24x3	x2


4



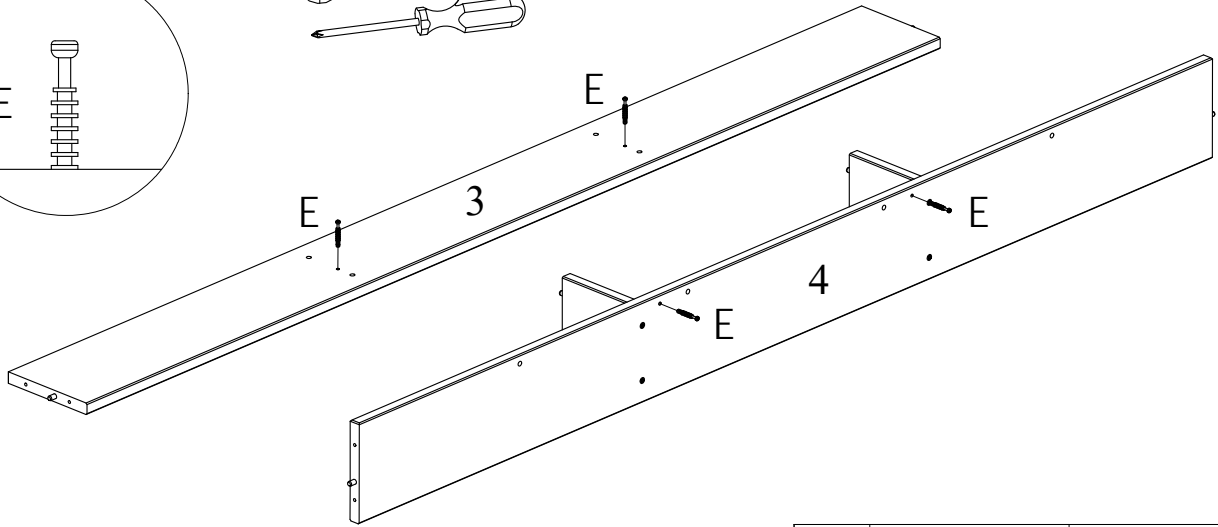
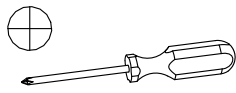
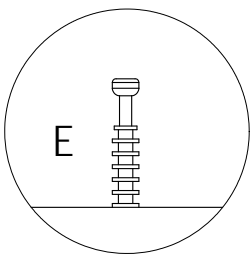
D		D35	x2
L		D24x3	x2

5



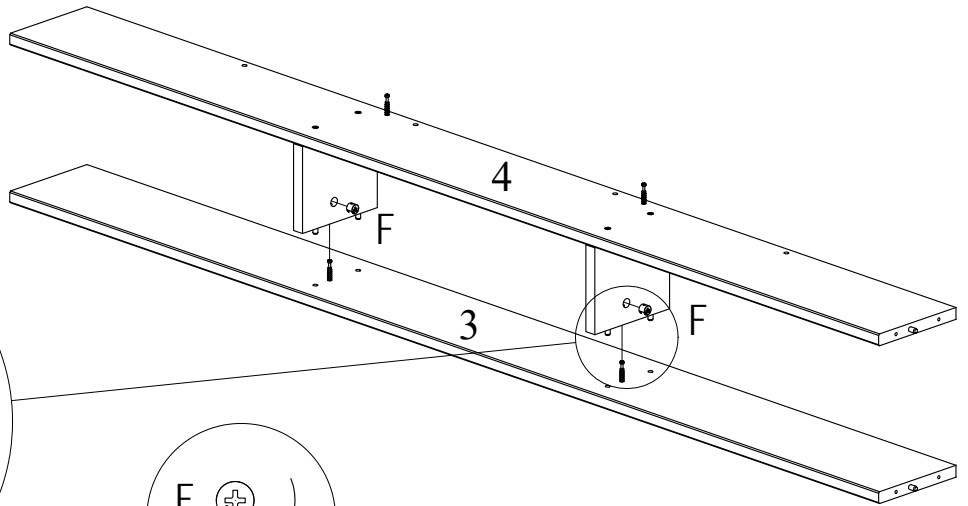
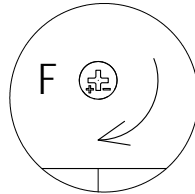
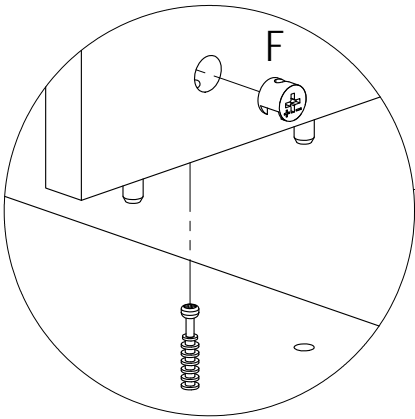
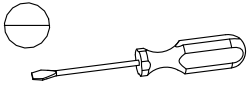
B		7x50	x4
---	---	------	----

6



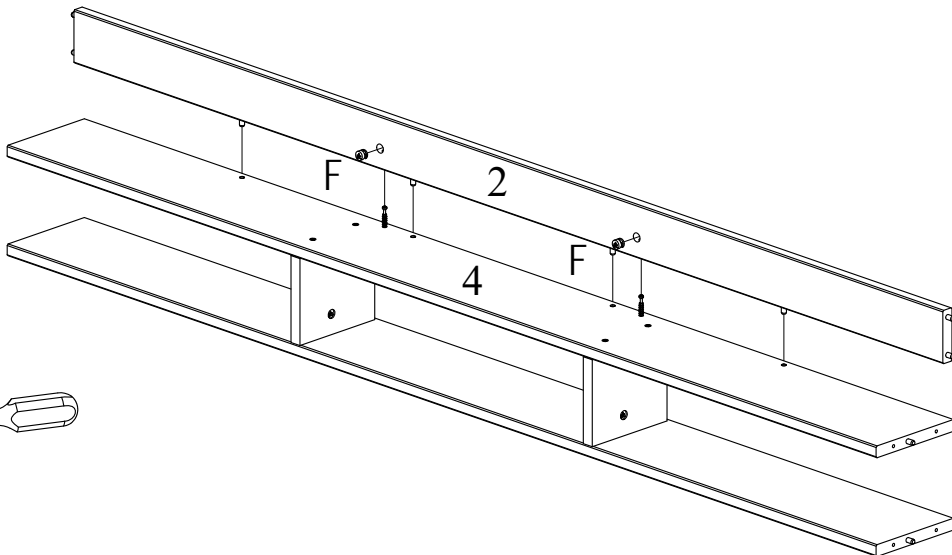
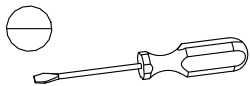
E		7x34	x4
---	--	------	----

7



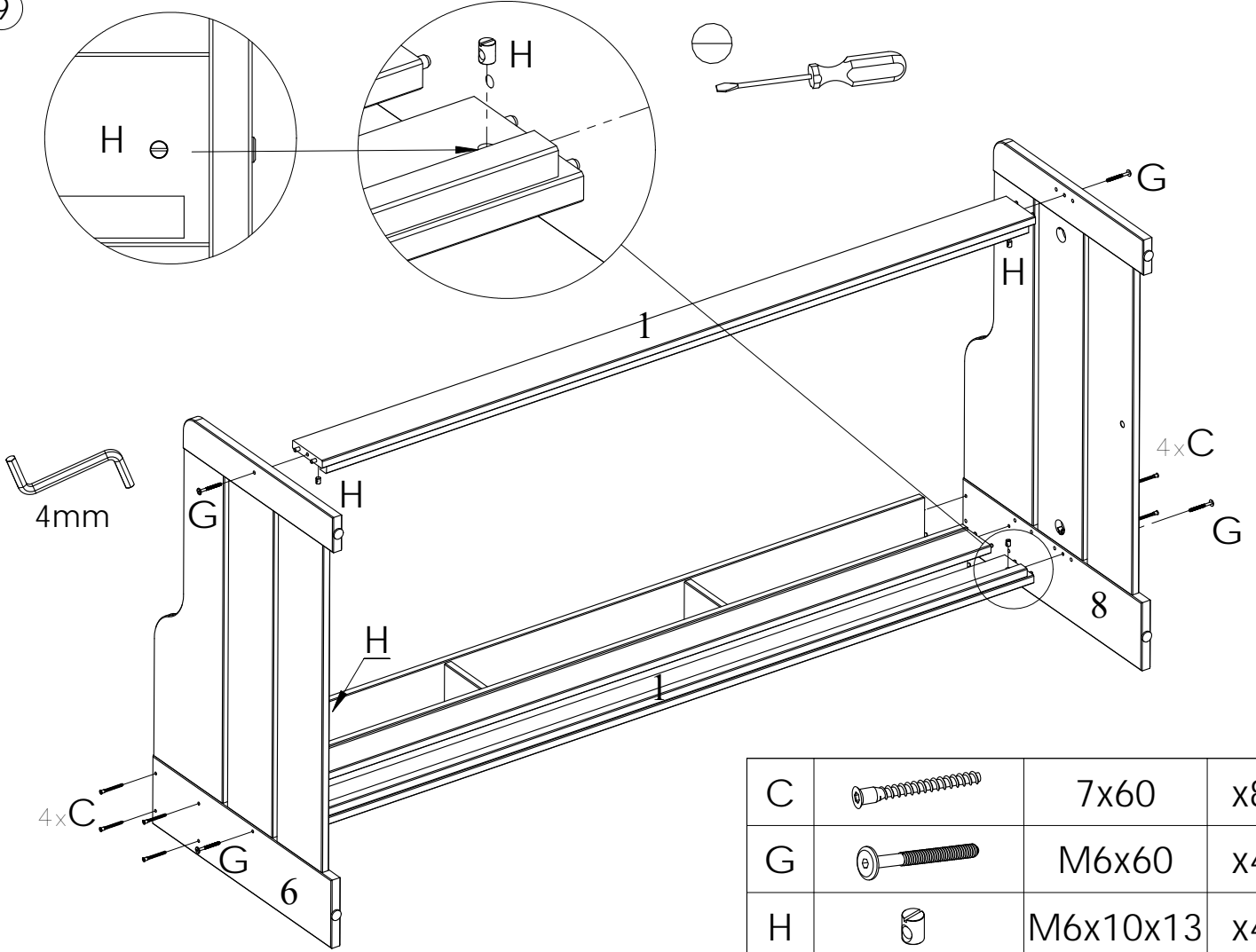
F		D15x12	x2
---	--	--------	----




8



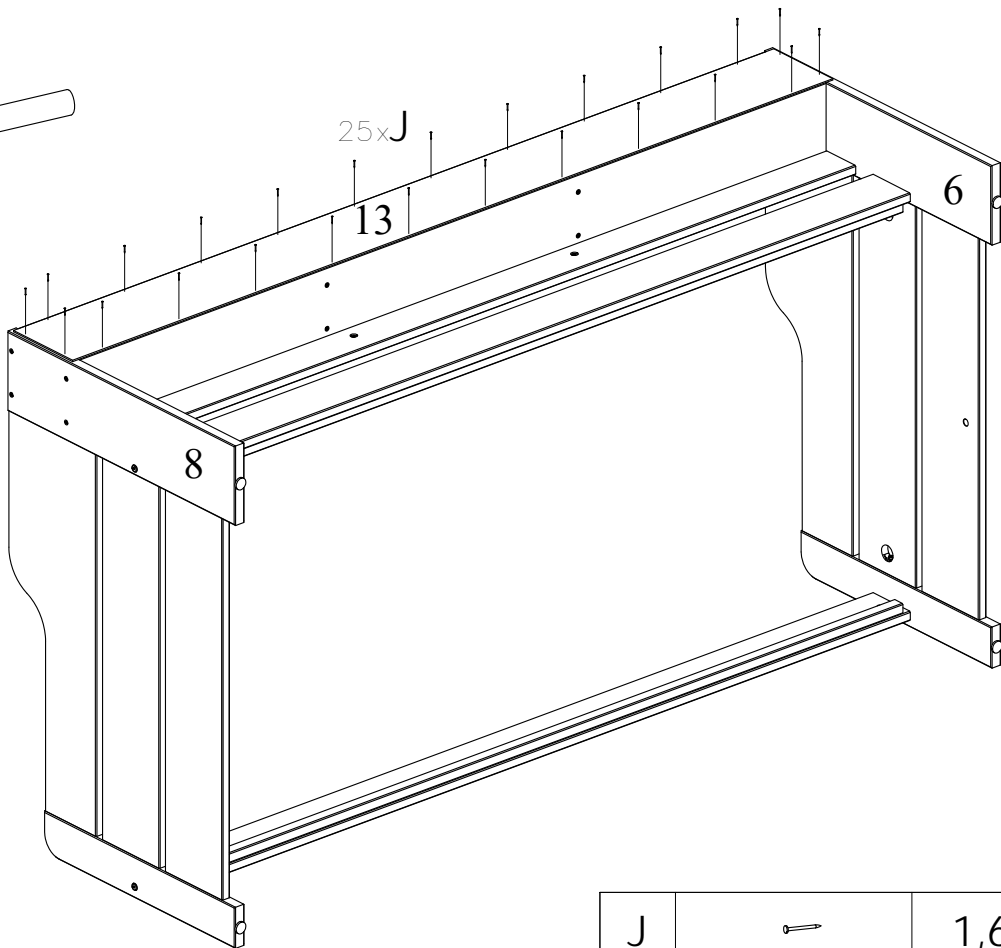
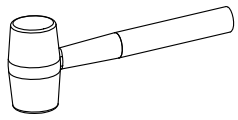
F		D15x12	x2
---	--	--------	----


9



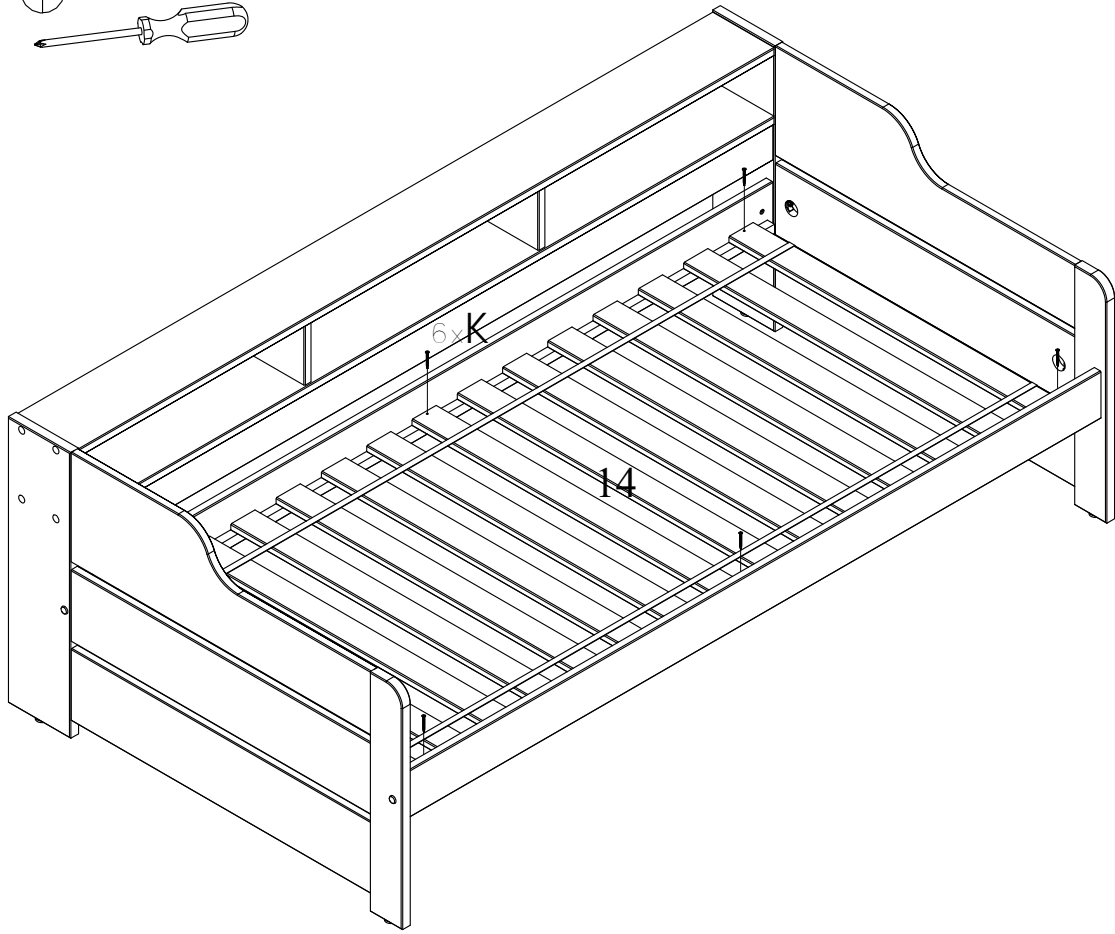
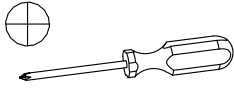
C		7x60	x8
G		M6x60	x4
H		M6x10x13	x4

10



J		1,6x16	x25
---	---	--------	-----

11

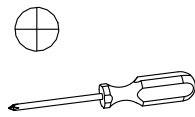
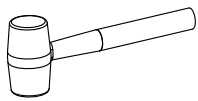
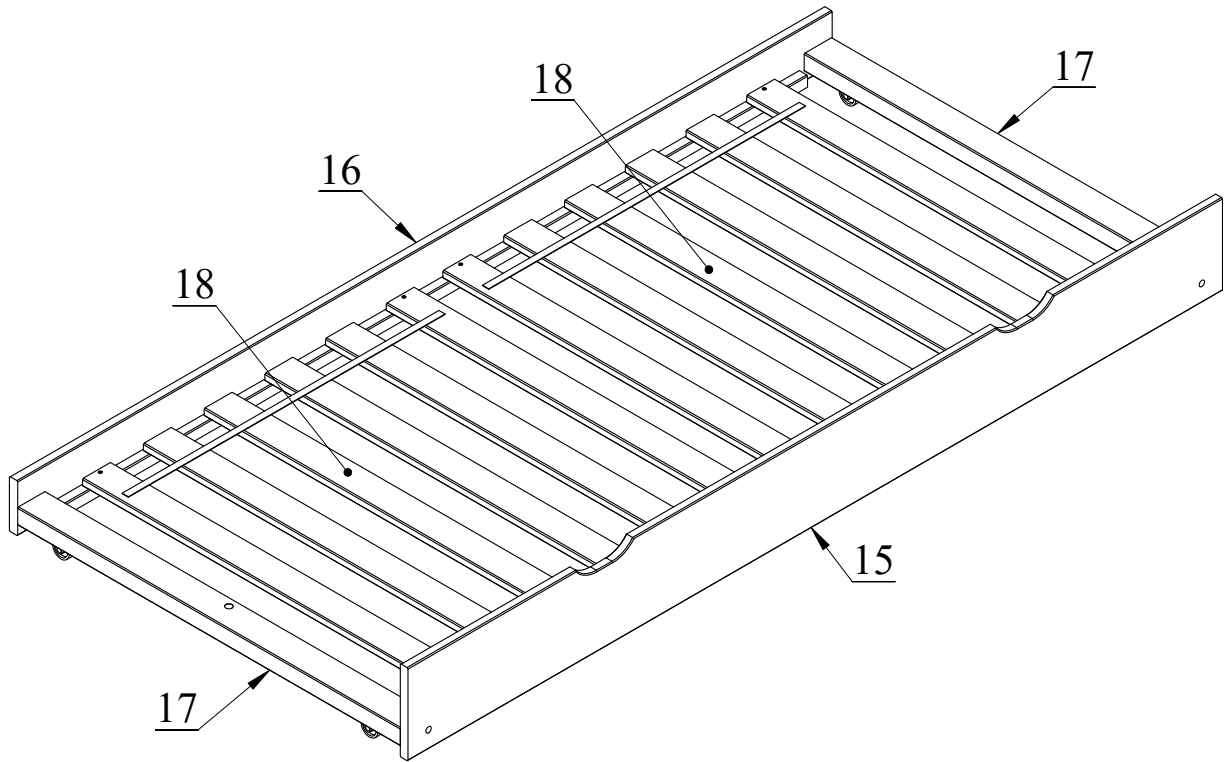
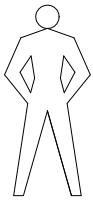


K



3,5x40

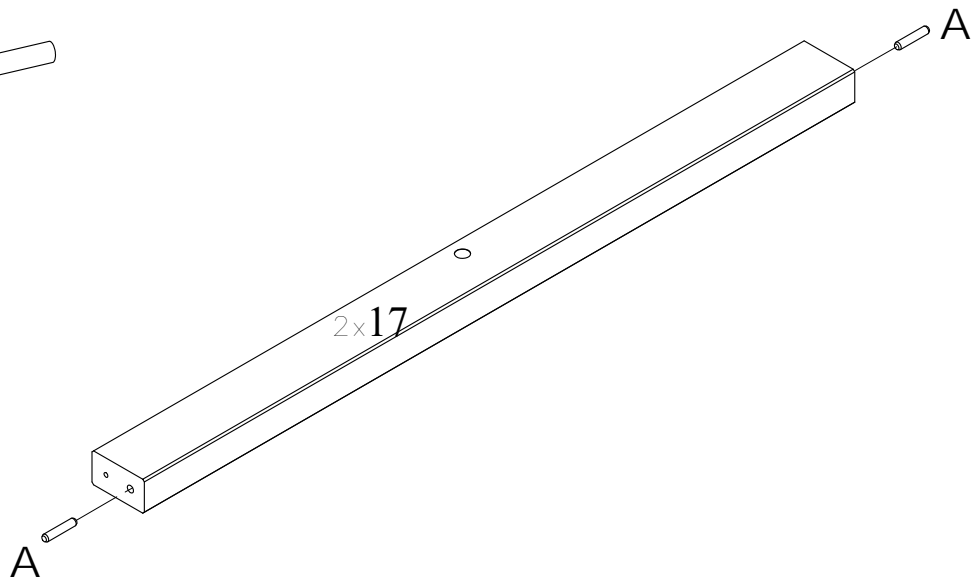
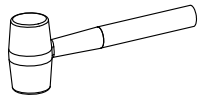
x6



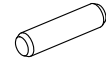
A		8x40	x4
N		D40	x4
P		3,5x16	x8

B		7x50	x4
K		3,5x40	x8
M		4mm	x1

①



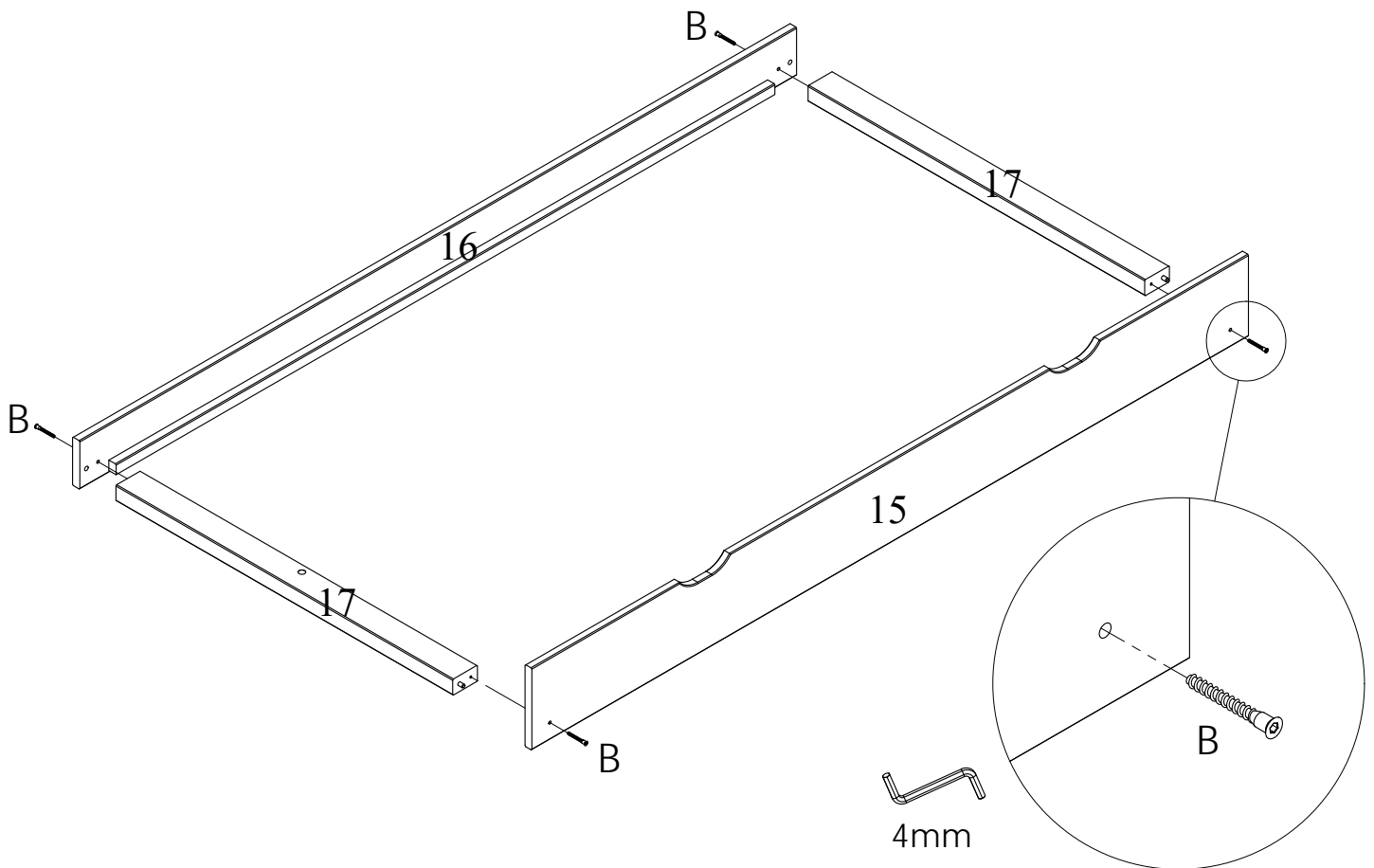
A



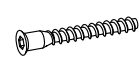
8x40

x4

②



B

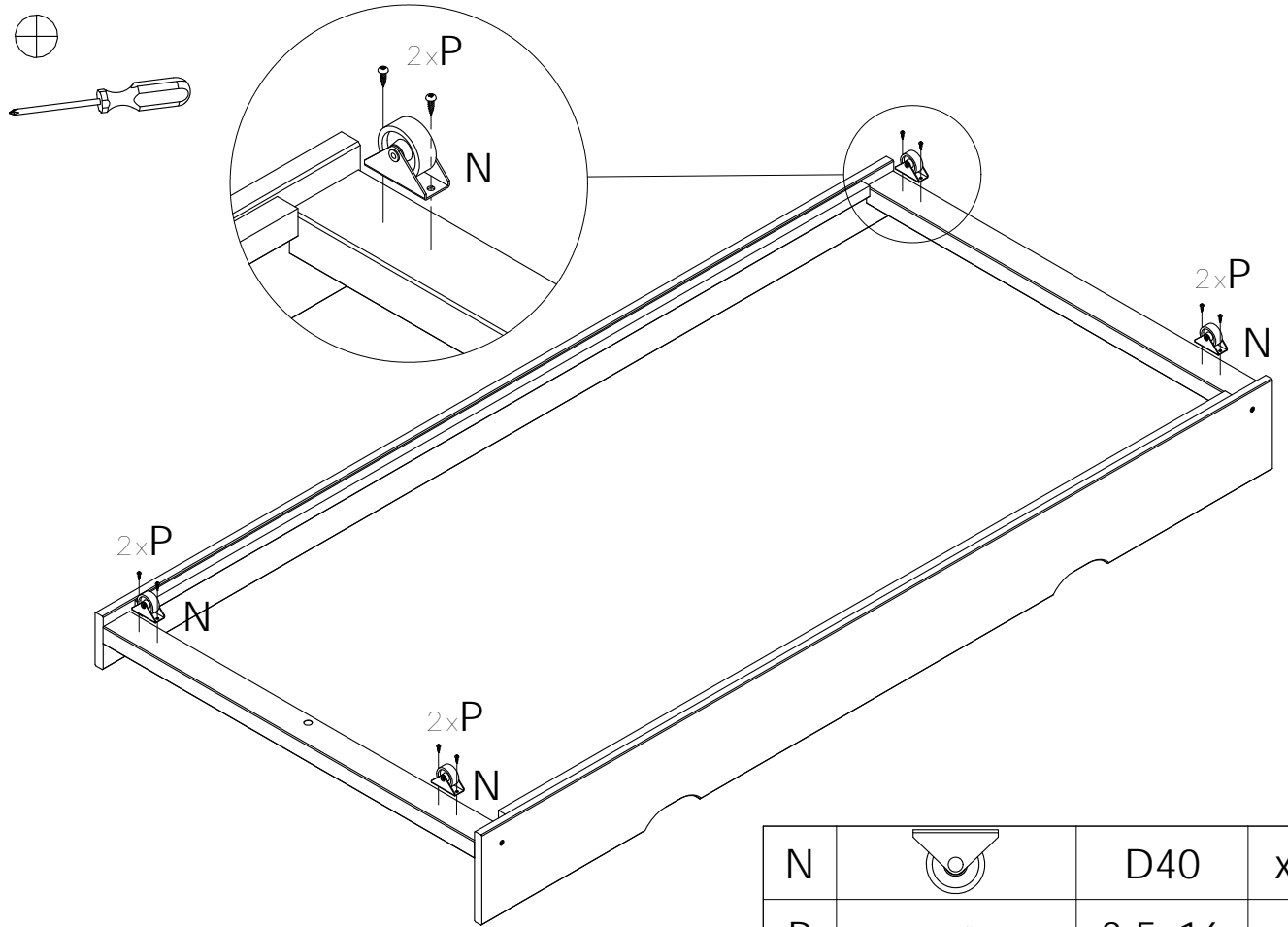




4mm

7x50

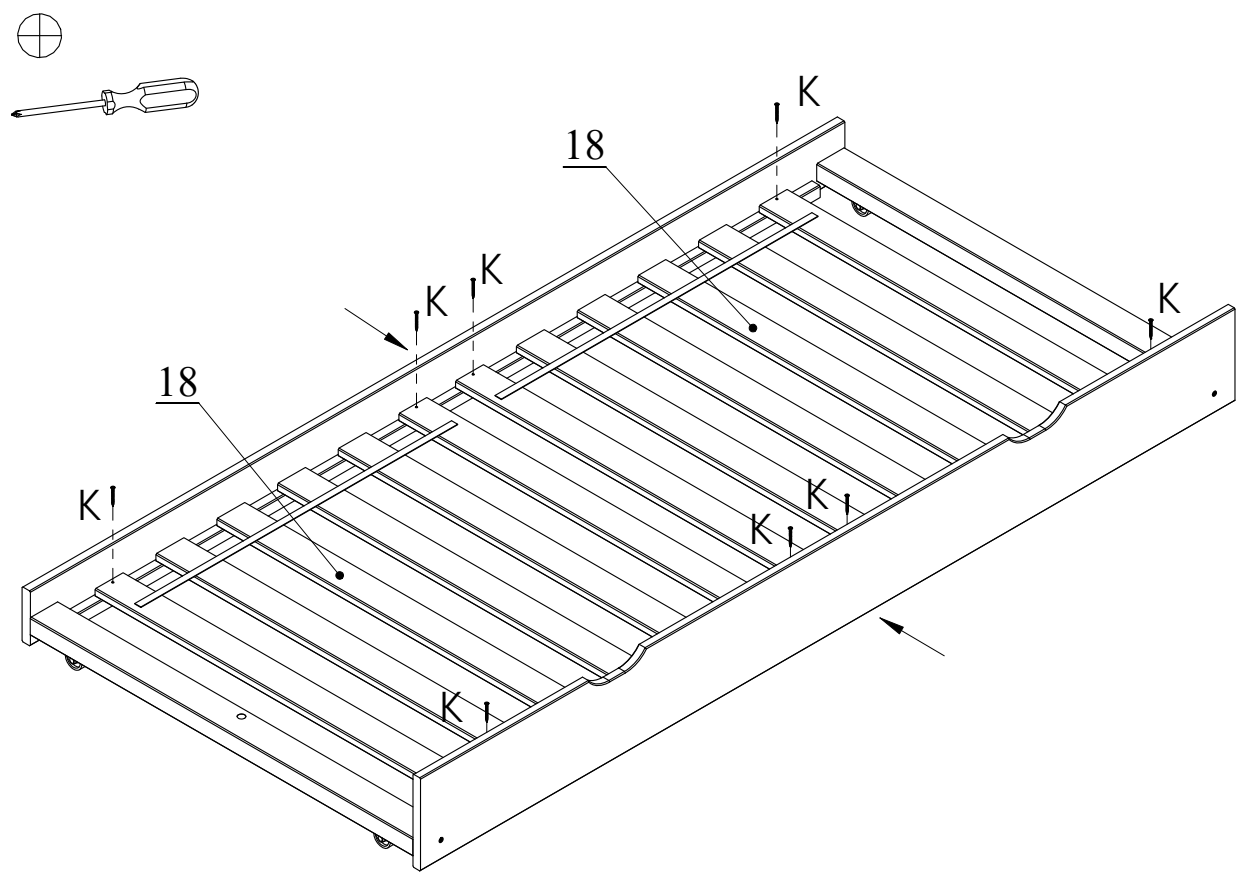
x4


3



N		D40	x4
P		3,5x16	x8

4



K		3,5x40	x8
---	---	--------	----