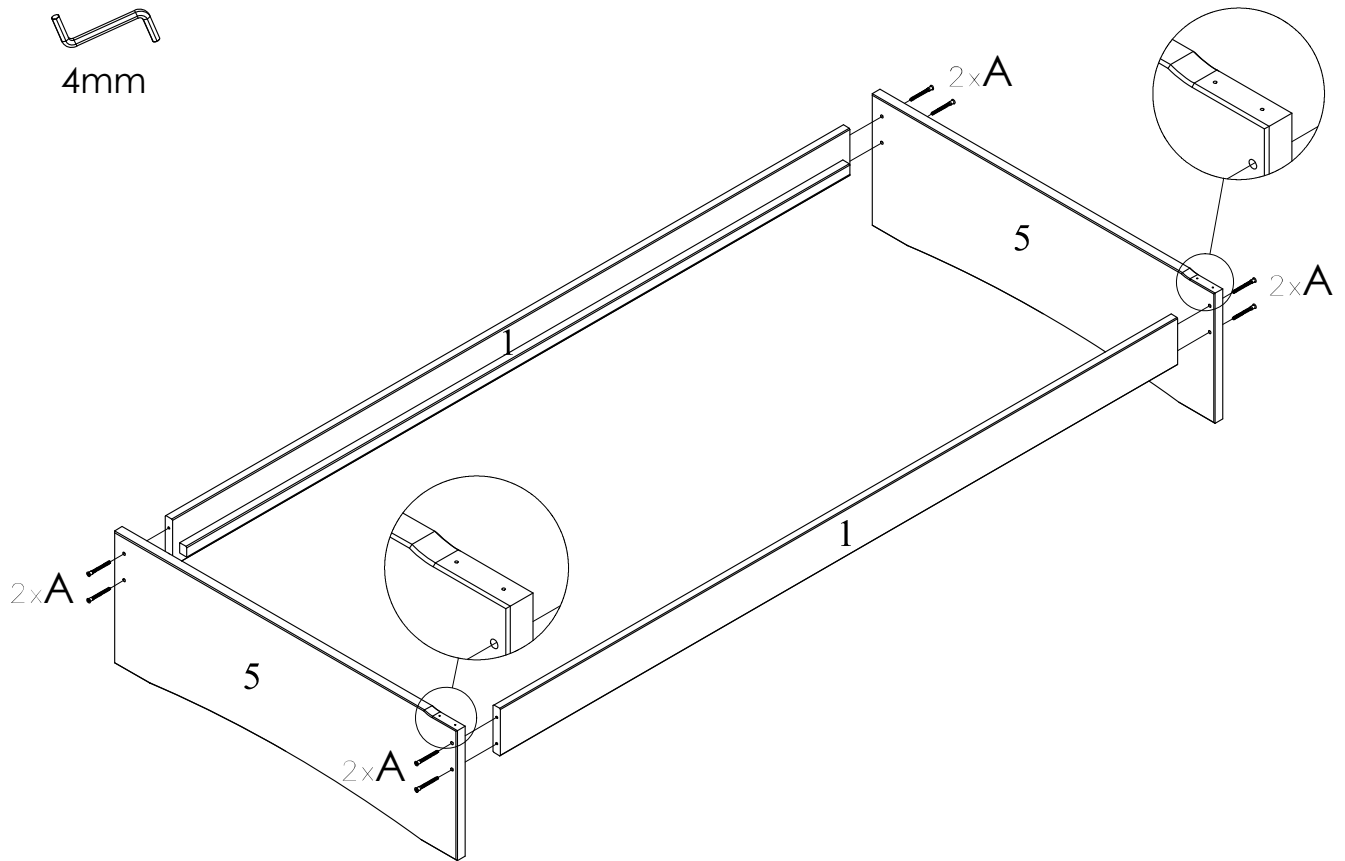
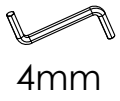


A		7x60	x20
B		3,5x40	x6
C		3,5x15	x12
D		21x21x16	x6

E		20x140x3,4	x2
F		4x35	x8
H		4mm	x1

①



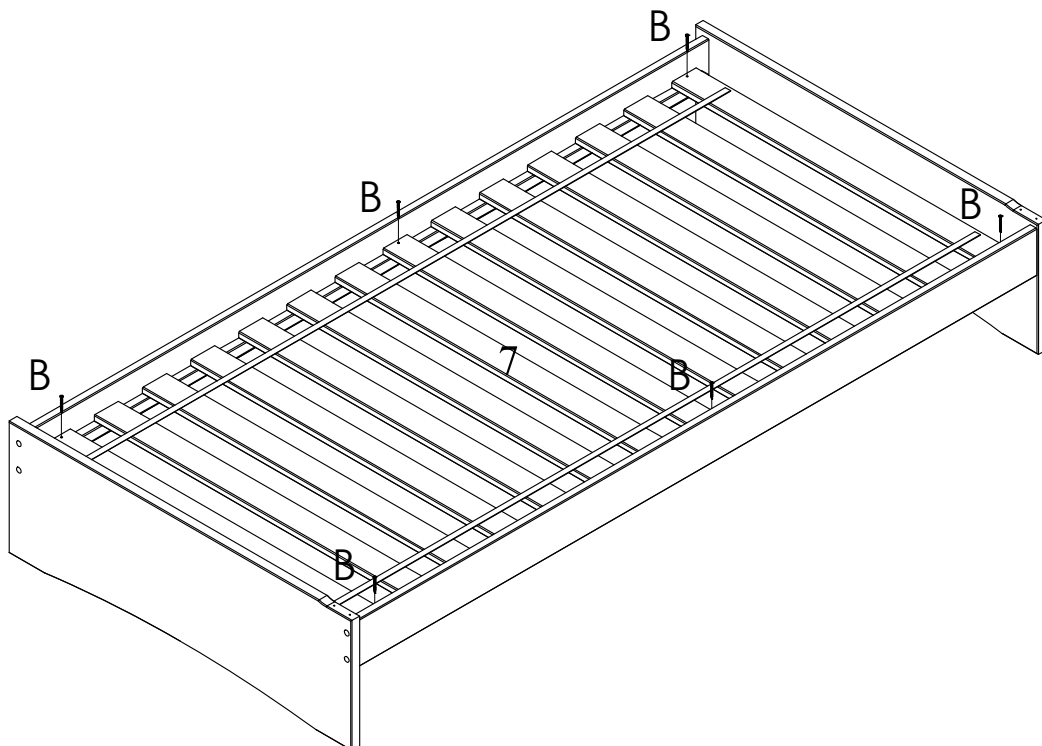
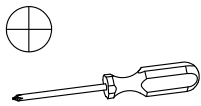
A



7x60

x8

②



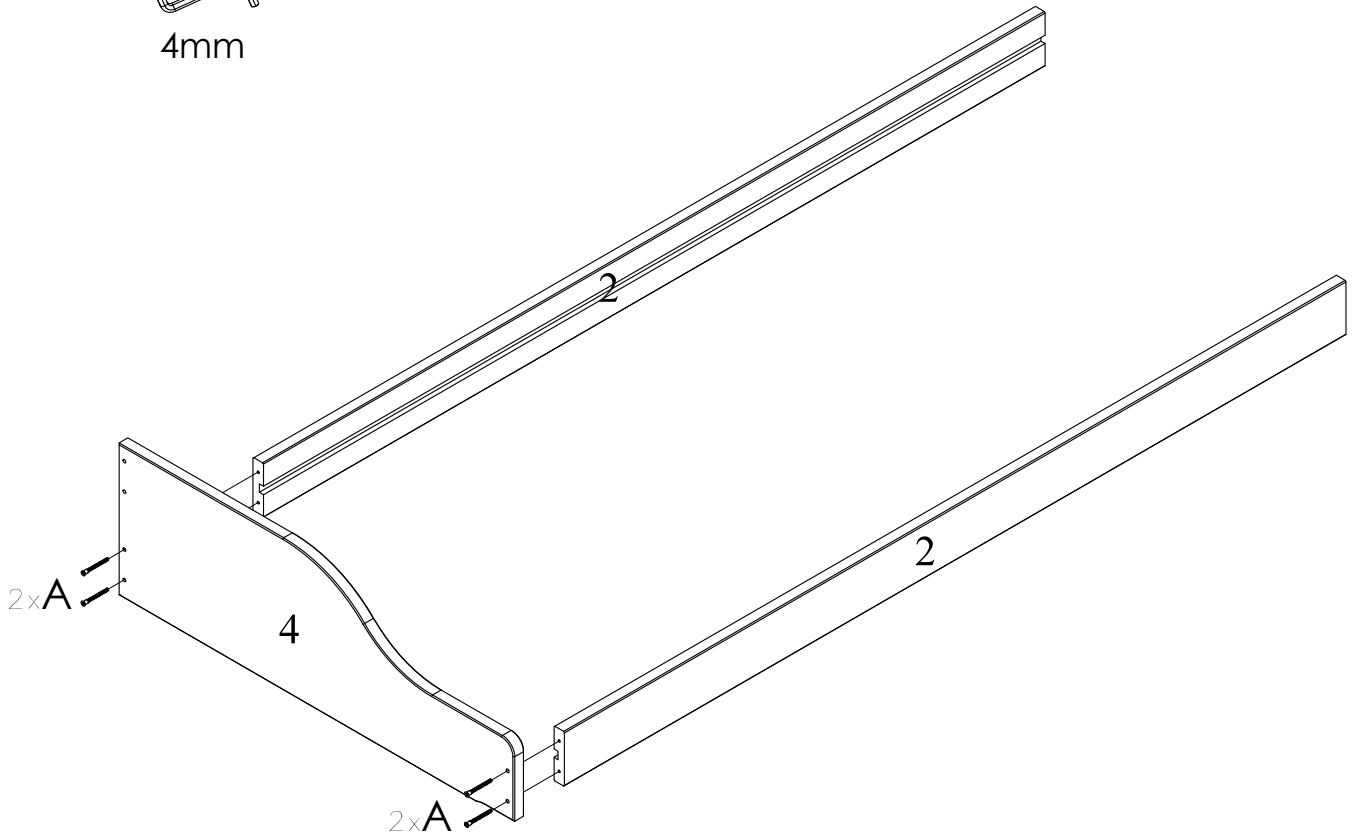
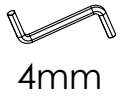
B



3,5x40

x6

③



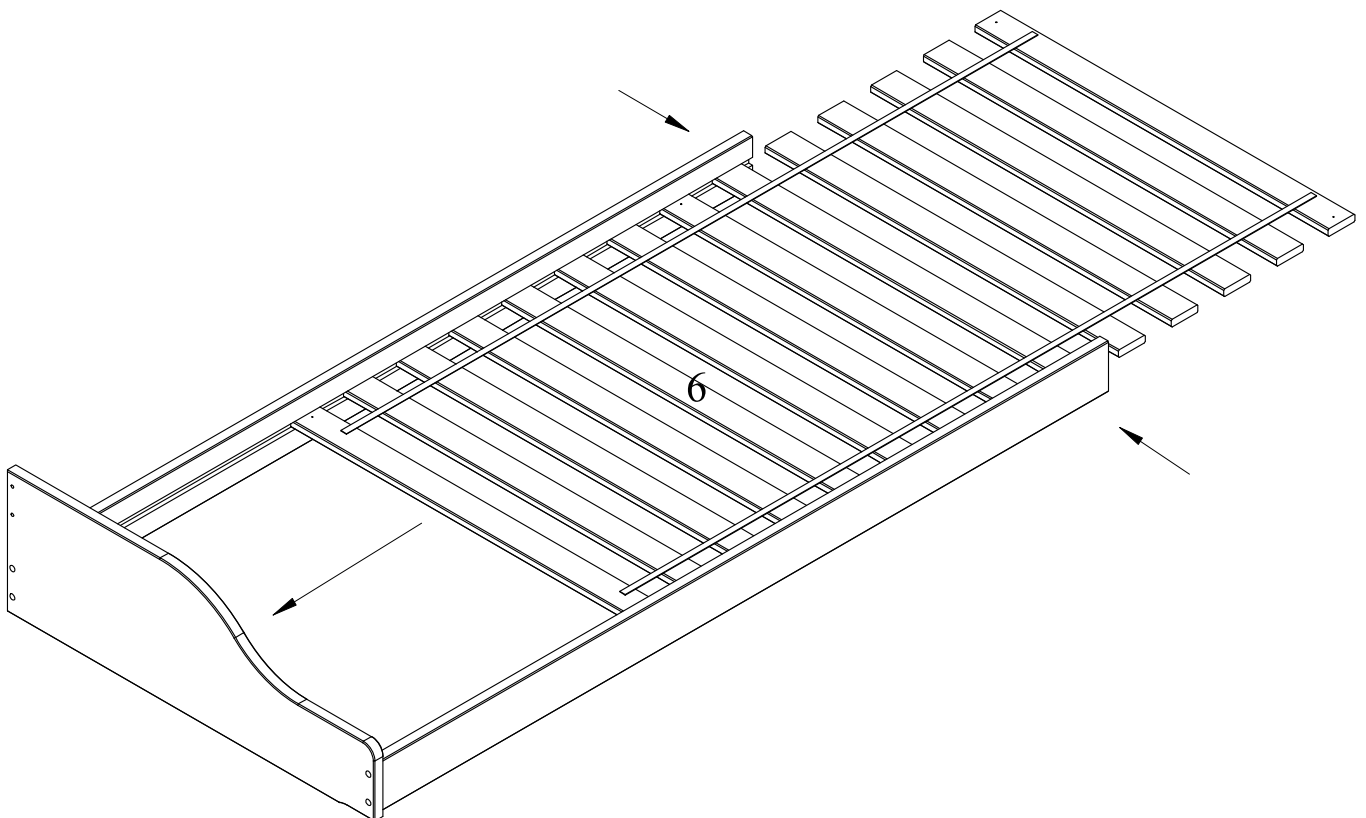
A



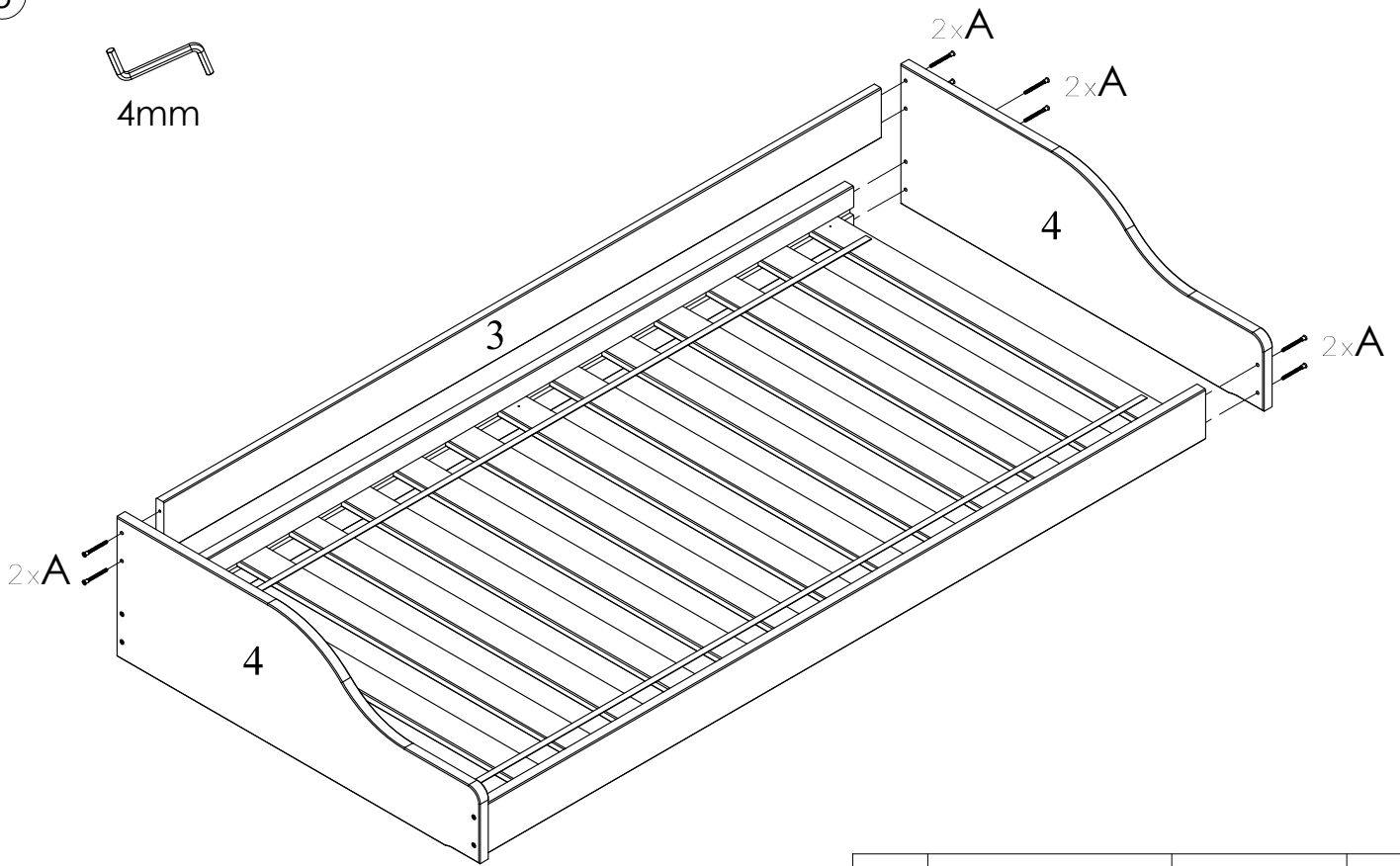
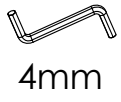
7x60

x4

④

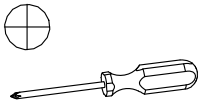


5



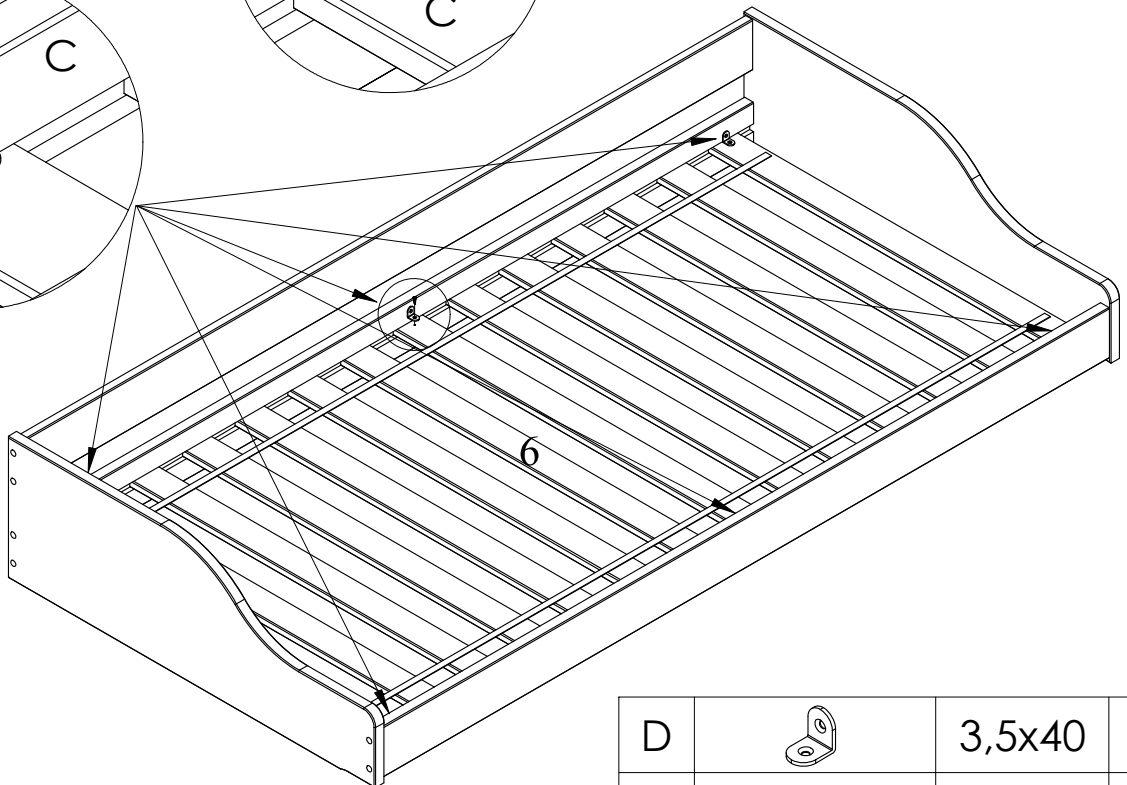
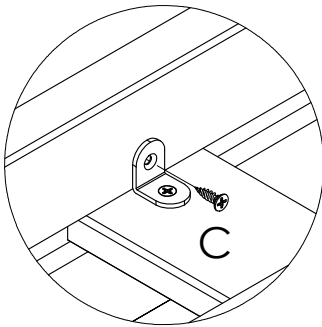
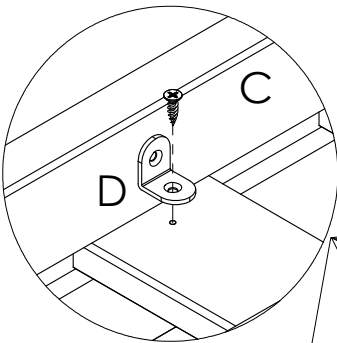
A		7x60	x8
---	--	------	----

6



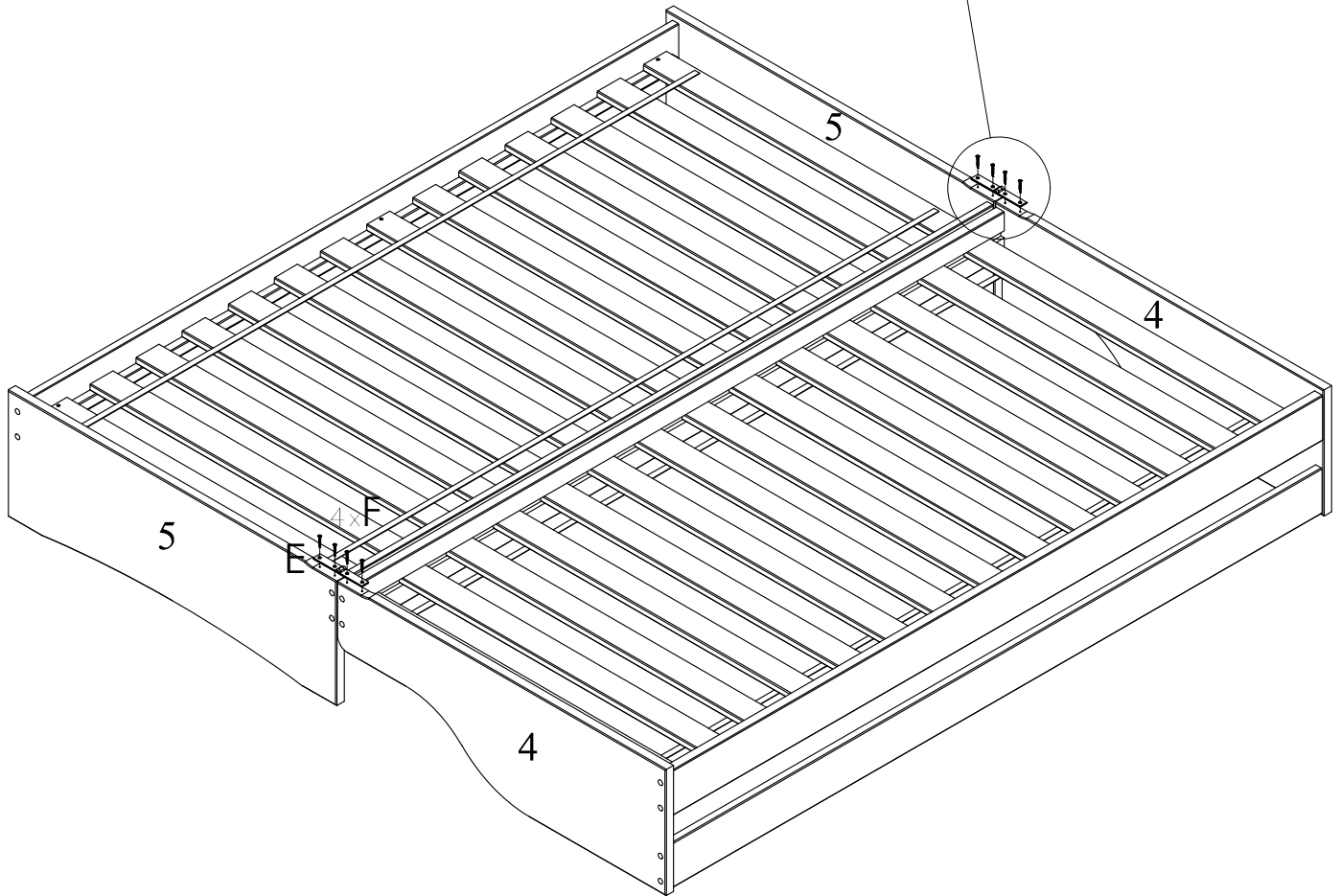
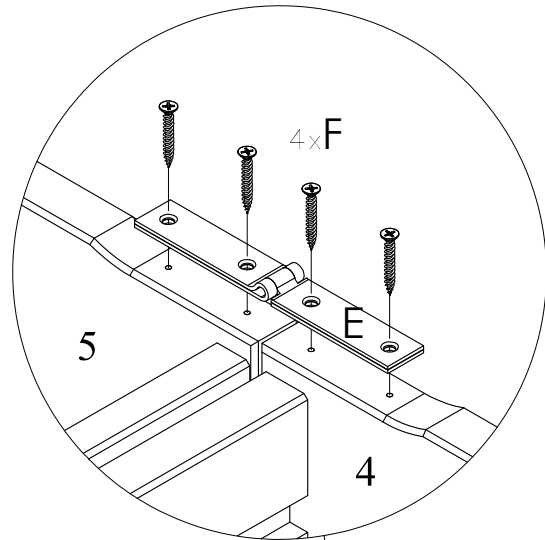
2.

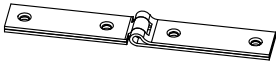

1.

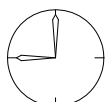


D		3,5x40	x6
C		D4x13	x12

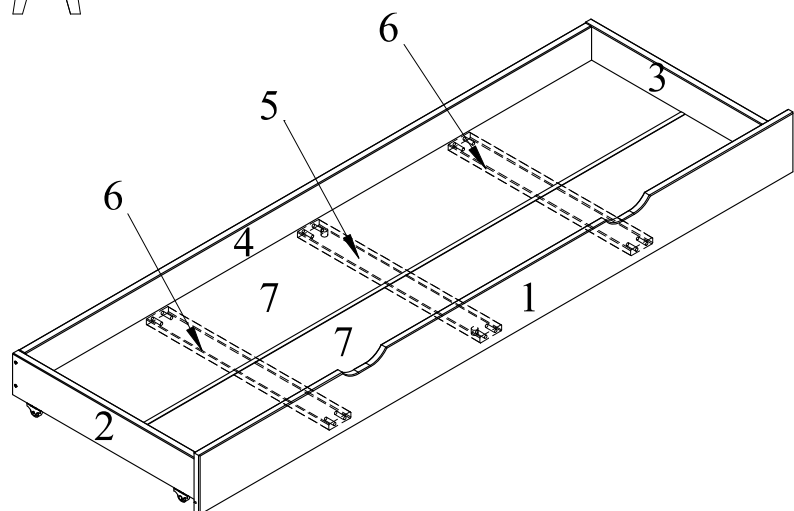
7



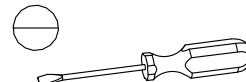
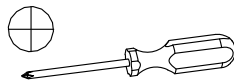
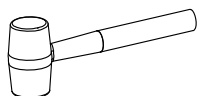
E		20x140x3,4	x2
F		4x35	x8



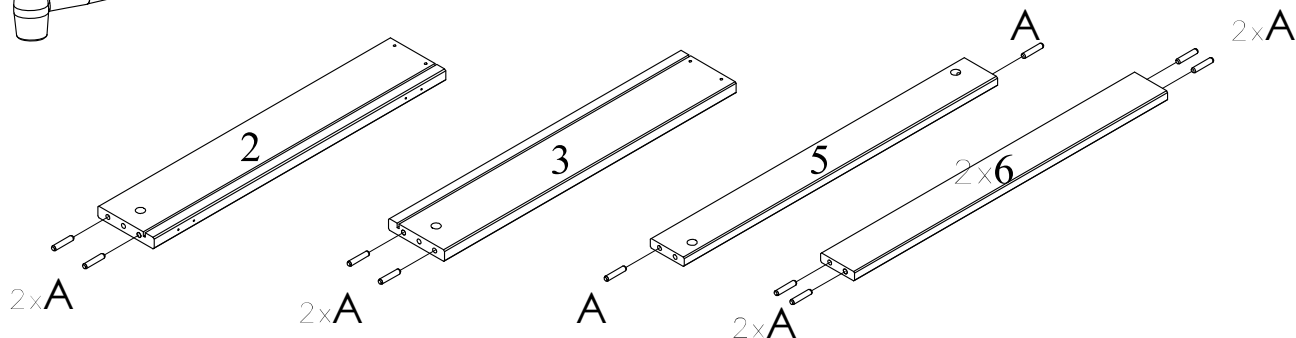
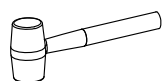
30 min



A		8x40	x14
B		7x34	x4
C		15x12	x4
D		3,5x40	x4
E		D26	x4
F		3,5x16	x8
G		L=1797	x1

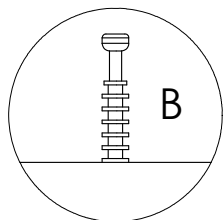
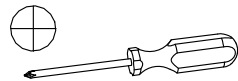


①

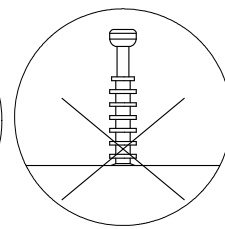
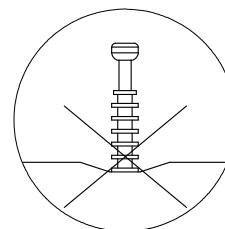
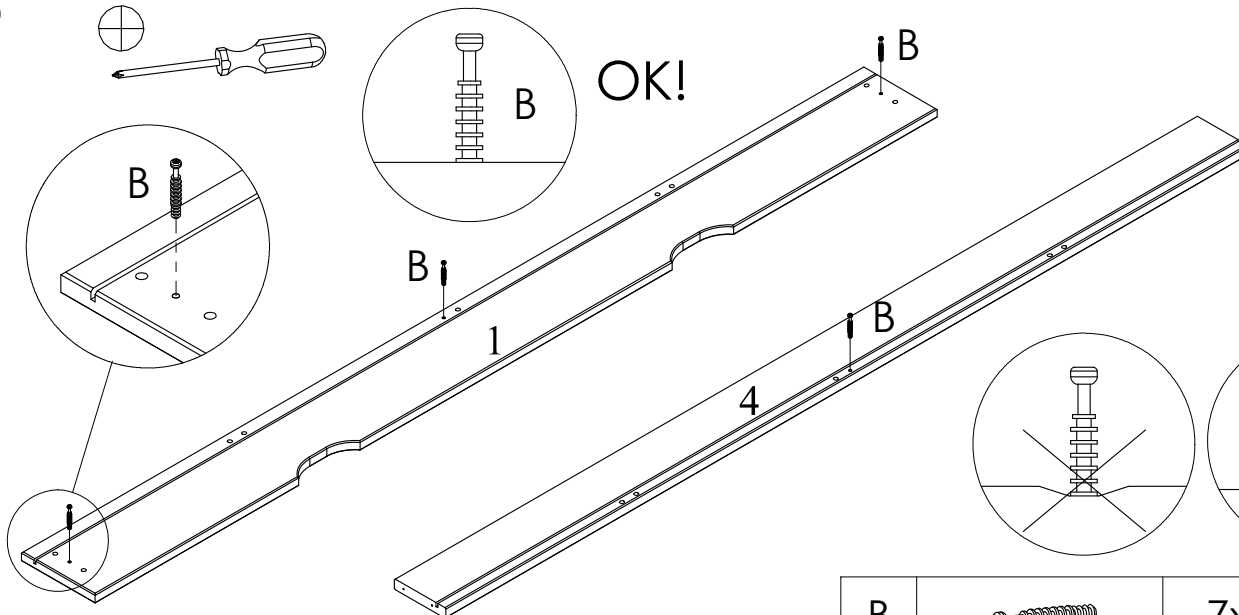


A		8x40	x14
---	--	------	-----

②

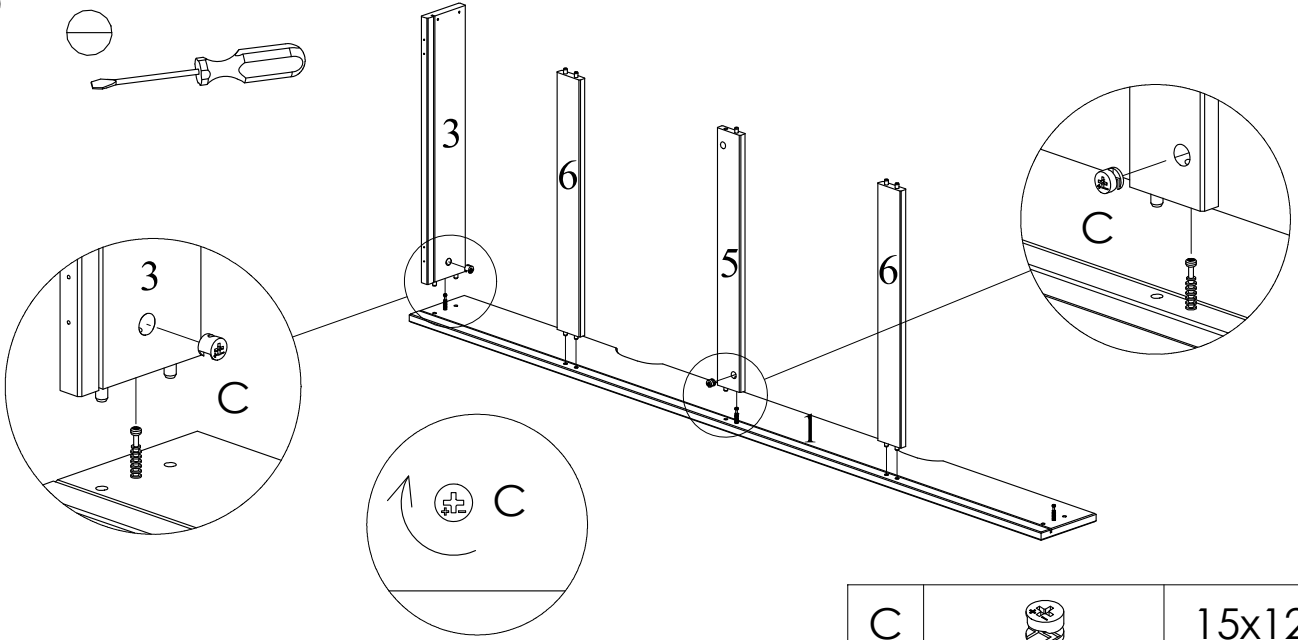


OK!



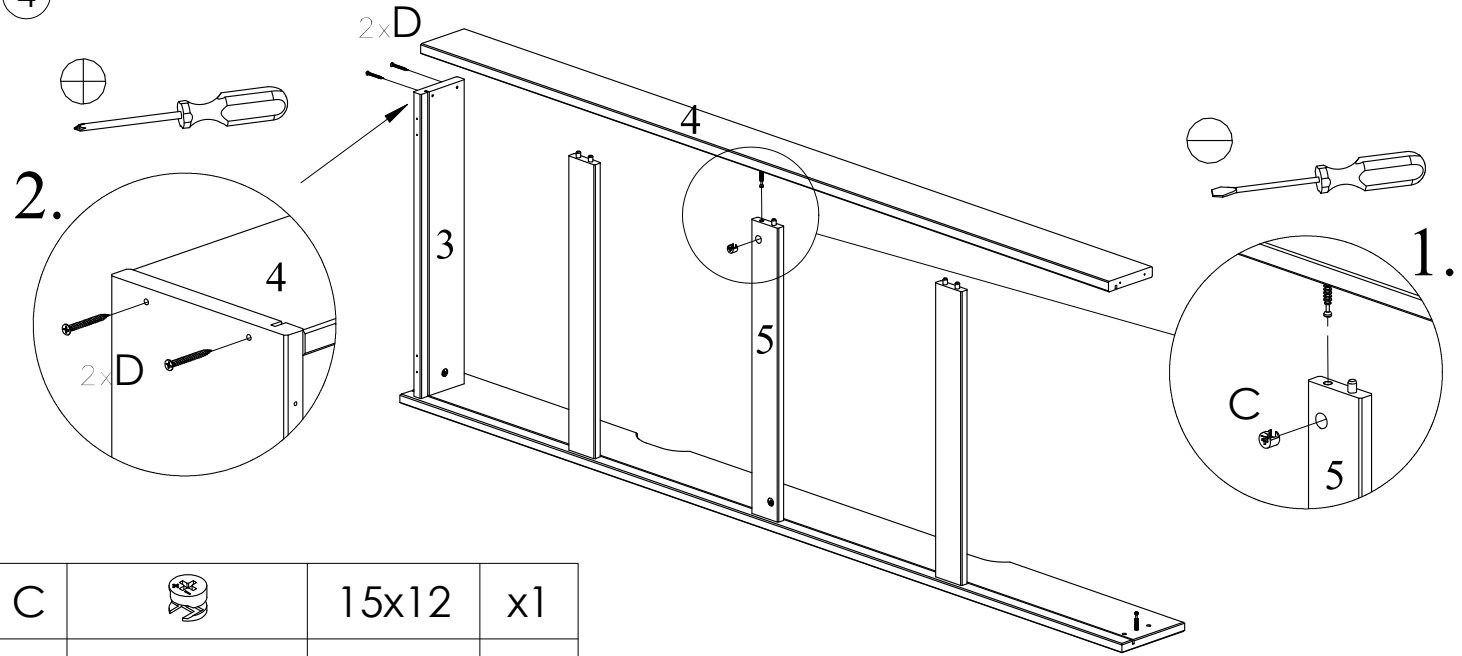
B		7x34	x4
---	--	------	----

3



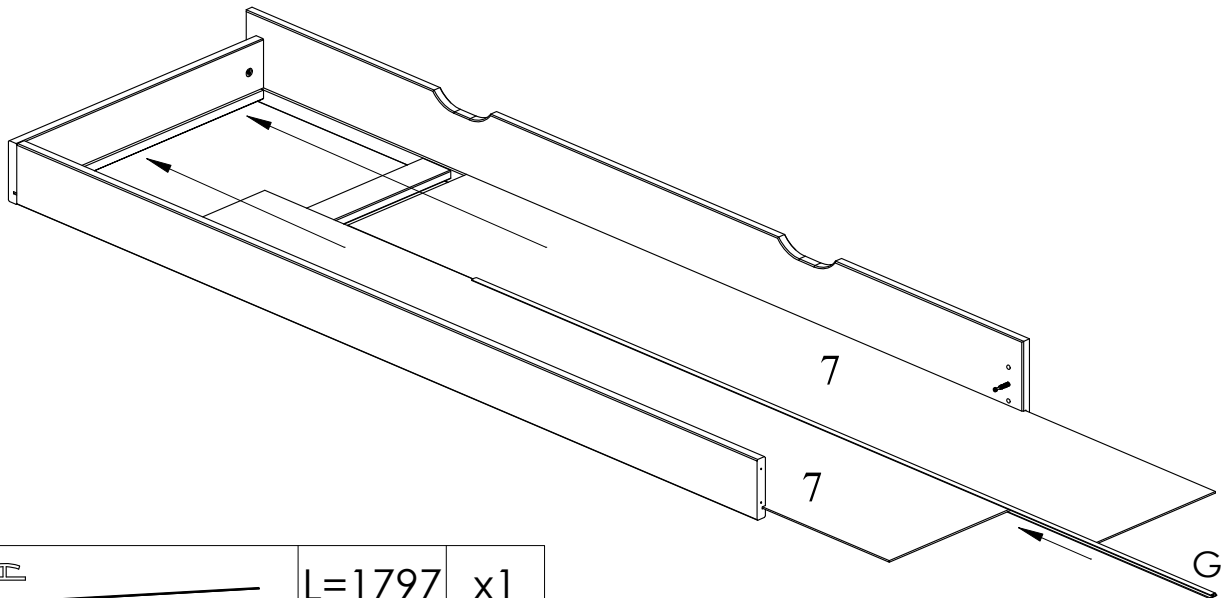
C		15x12	x2
---	--	-------	----

4



C		15x12	x1
D		3,5x40	x2

5



G		L=1797	x1
---	--	--------	----

