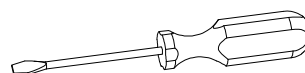
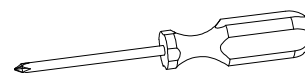
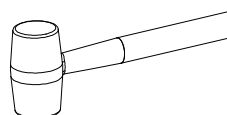
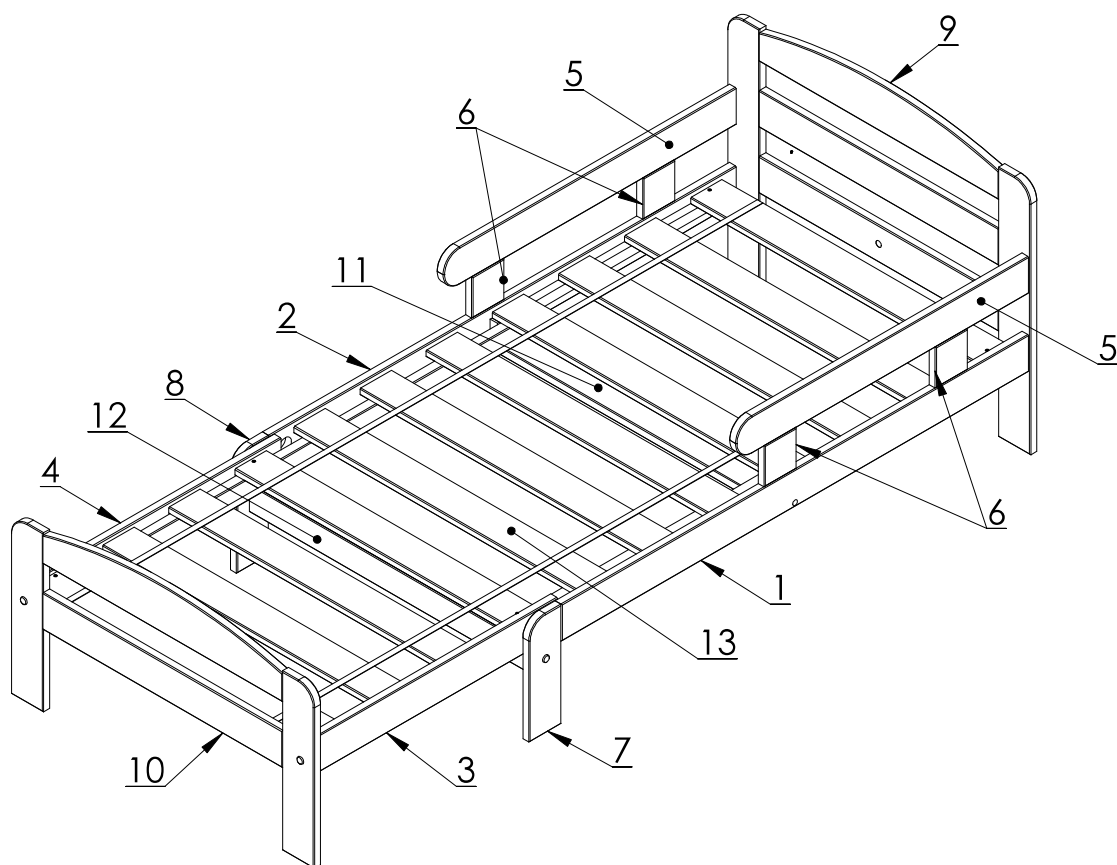


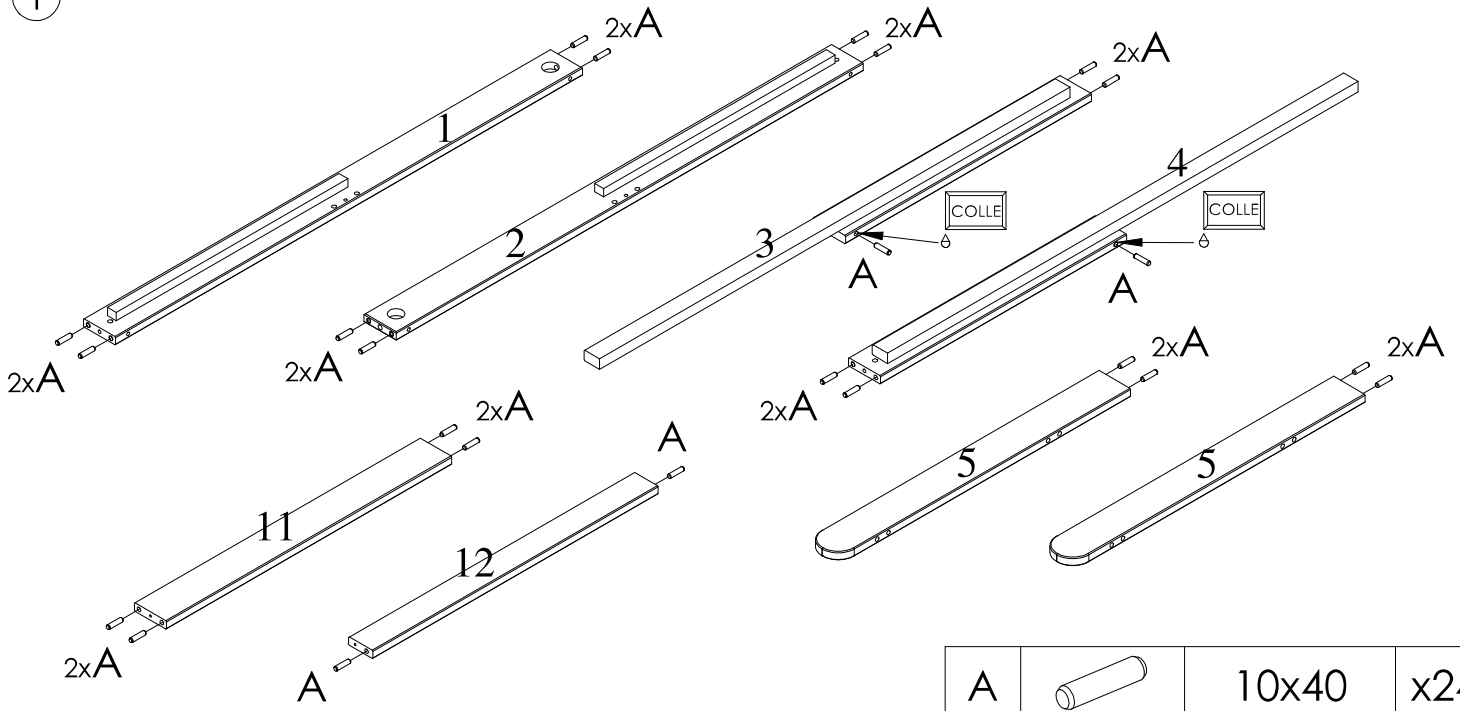
30 min



A		10x40	x40
B		7x60	x2
C		D35	x2
D		7x50	x2
E		6,3x50	x4
F		M6x55	x4

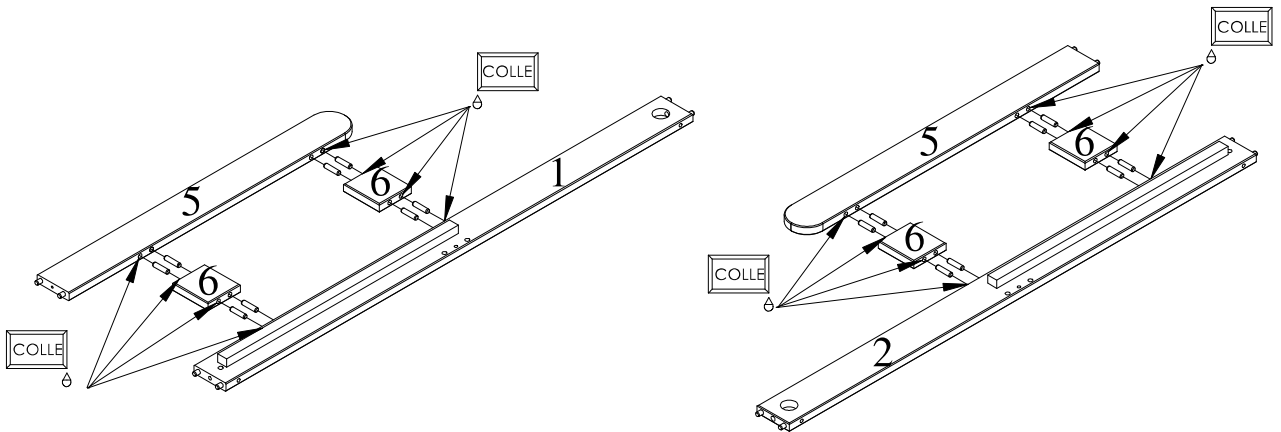
G		M6x10x13	x4
H		3,5x40	x6
J		D4x13	x2
K		D15x18	x8
L		4mm	x1
			x1


①



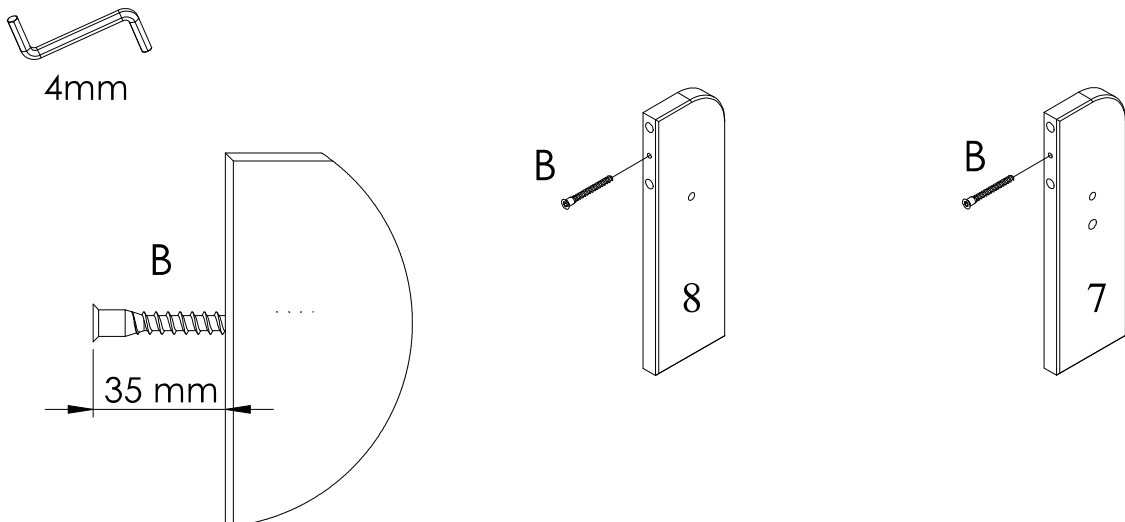
A		10x40	x24
---	---	-------	-----

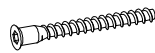
②



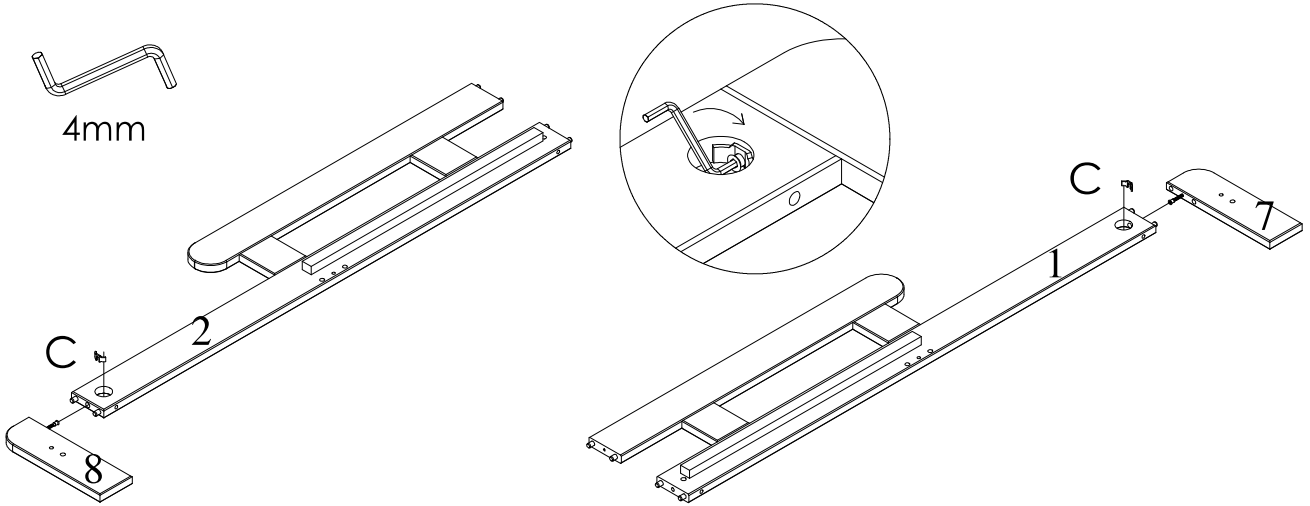
A		10x40	x16
---	---	-------	-----

③



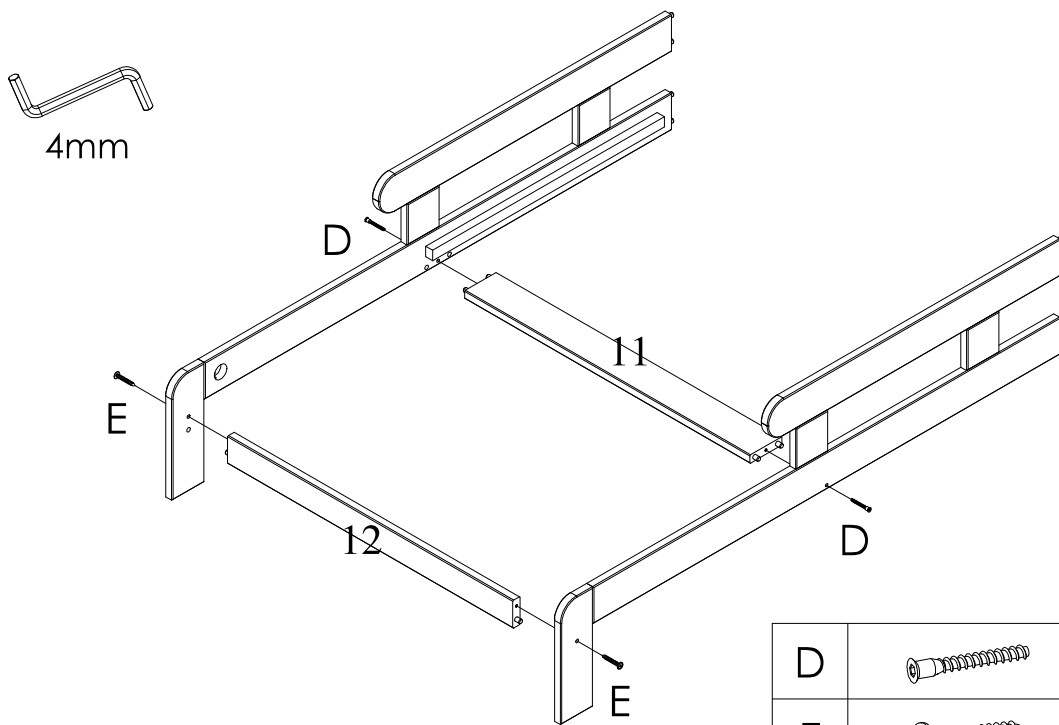
B		7x60	x2
---	---	------	----

4



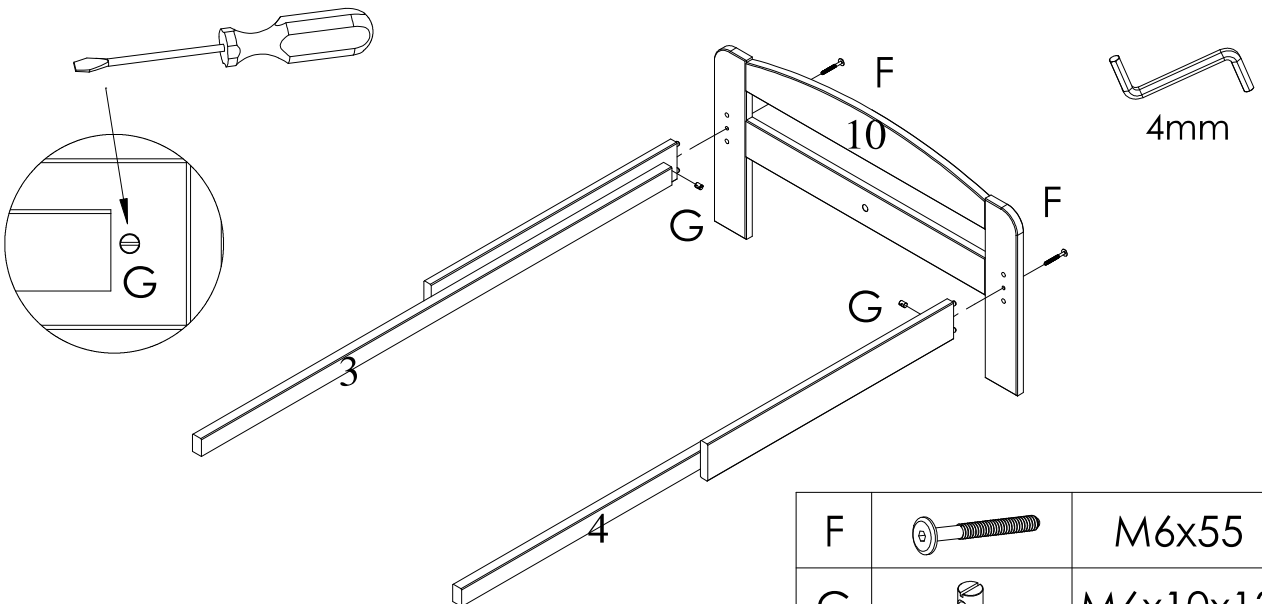
C		D35	x2
---	--	-----	----

5



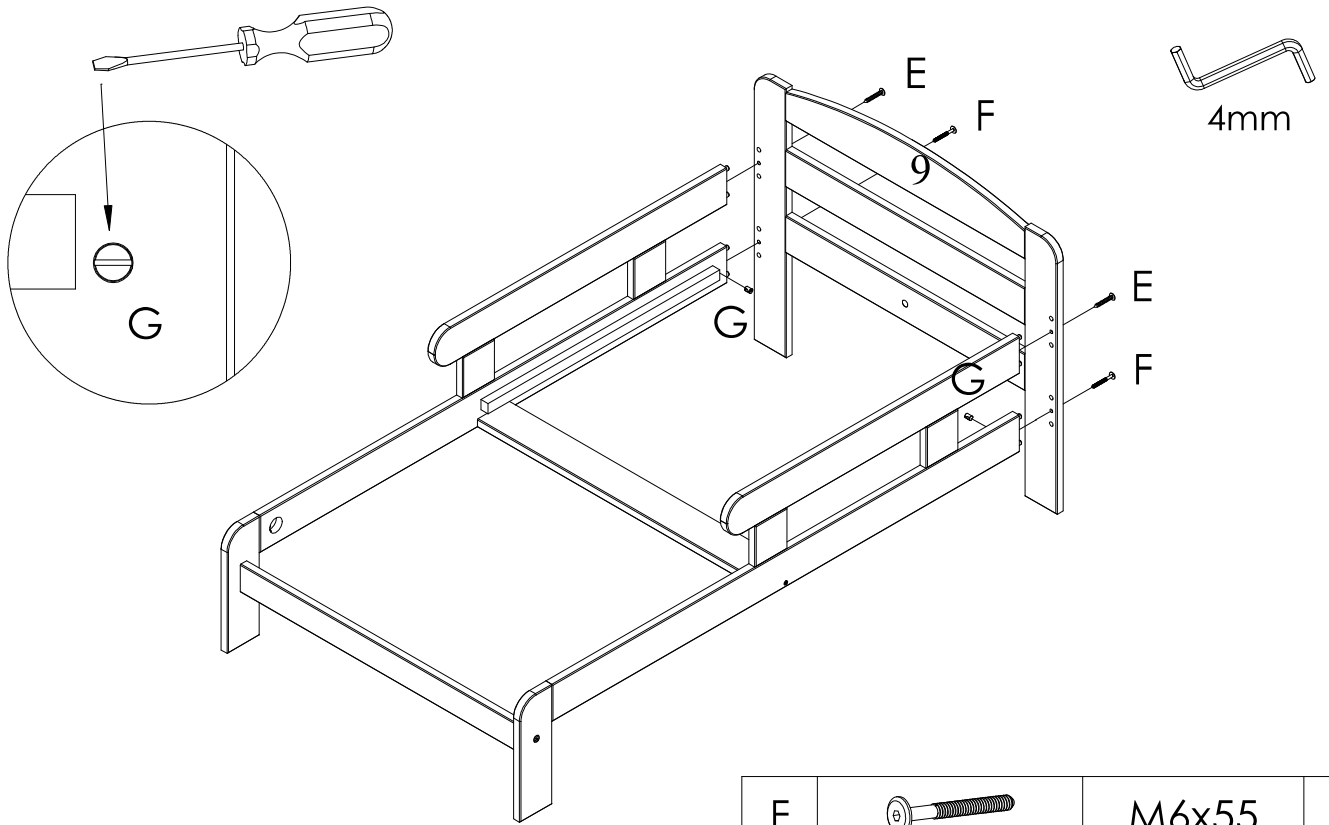
D		7x50	x2
E		6,3x50	x2




6



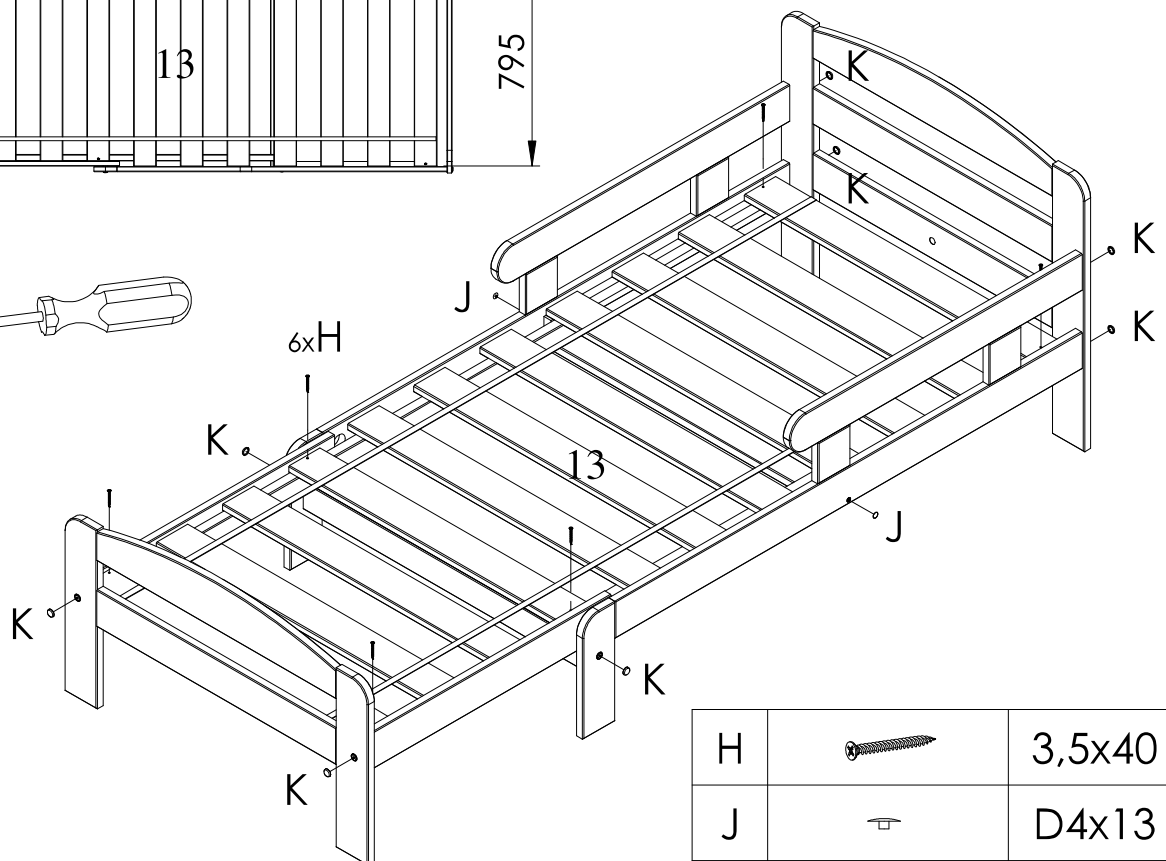
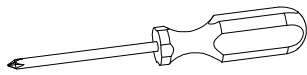
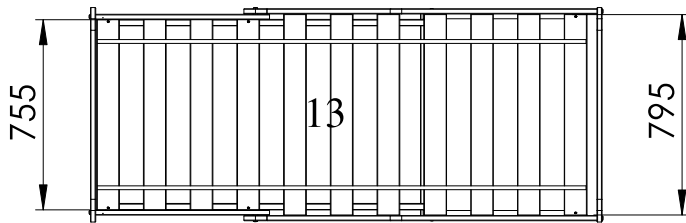
F		M6x55	x2
G		M6x10x13	x2

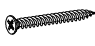


7

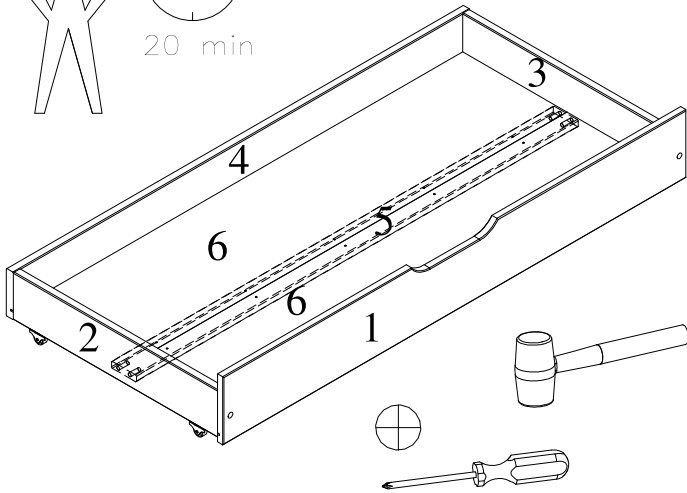
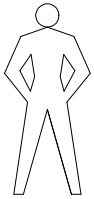


F		M6x55	x2
G		M6x10x13	x2
E		6,3x50	x2

8

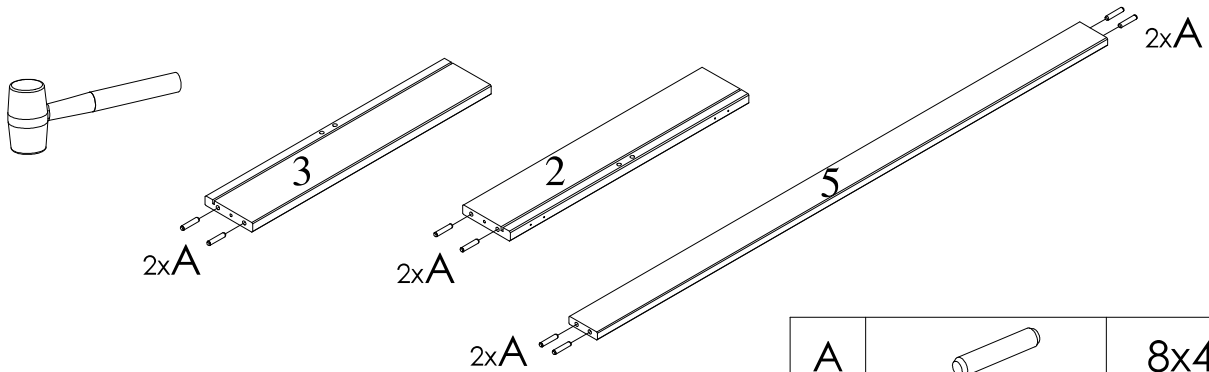


H		3,5x40	x6
J		D4x13	x2
K		D15x18	x8



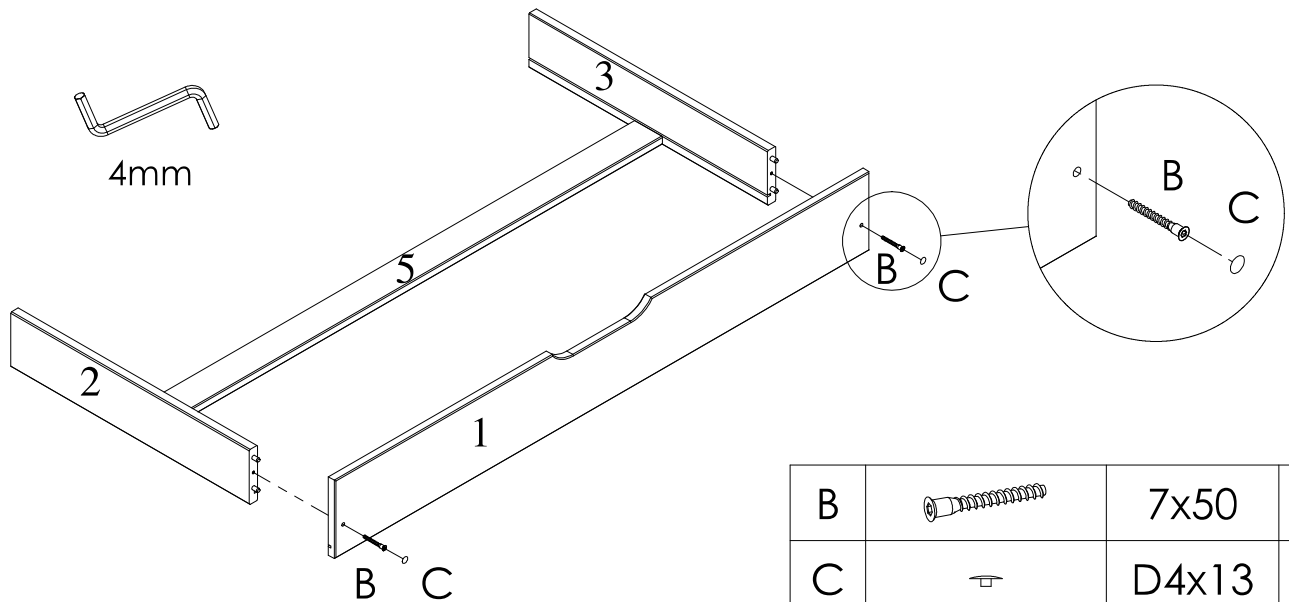
A		8x40	x8
B		7x50	x2
C		D4x13	x2
D		D8x18x12,5	x2
E		3,5x40	x4
F		1,2x16	x10
G		3,5x16	x8
H		D26	x4

①



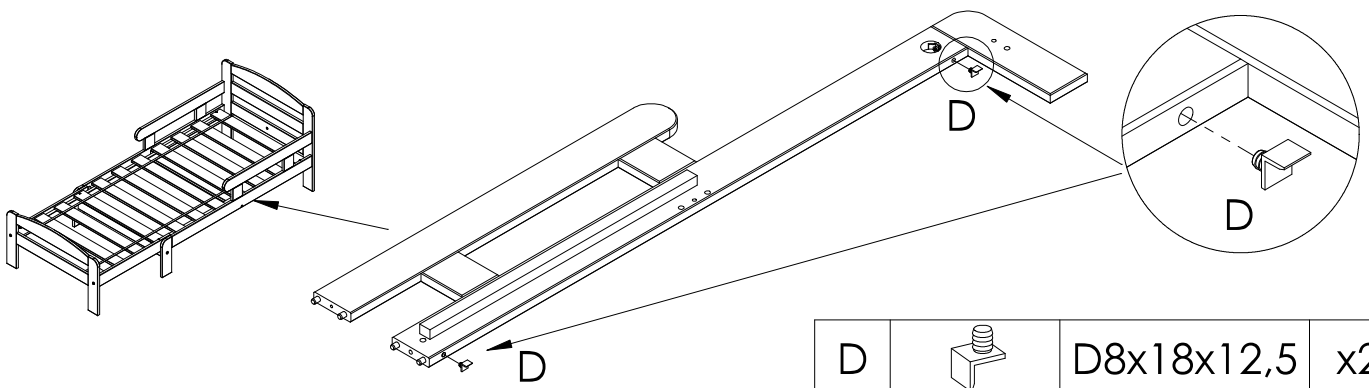
A		8x40	x8
---	--	------	----

②

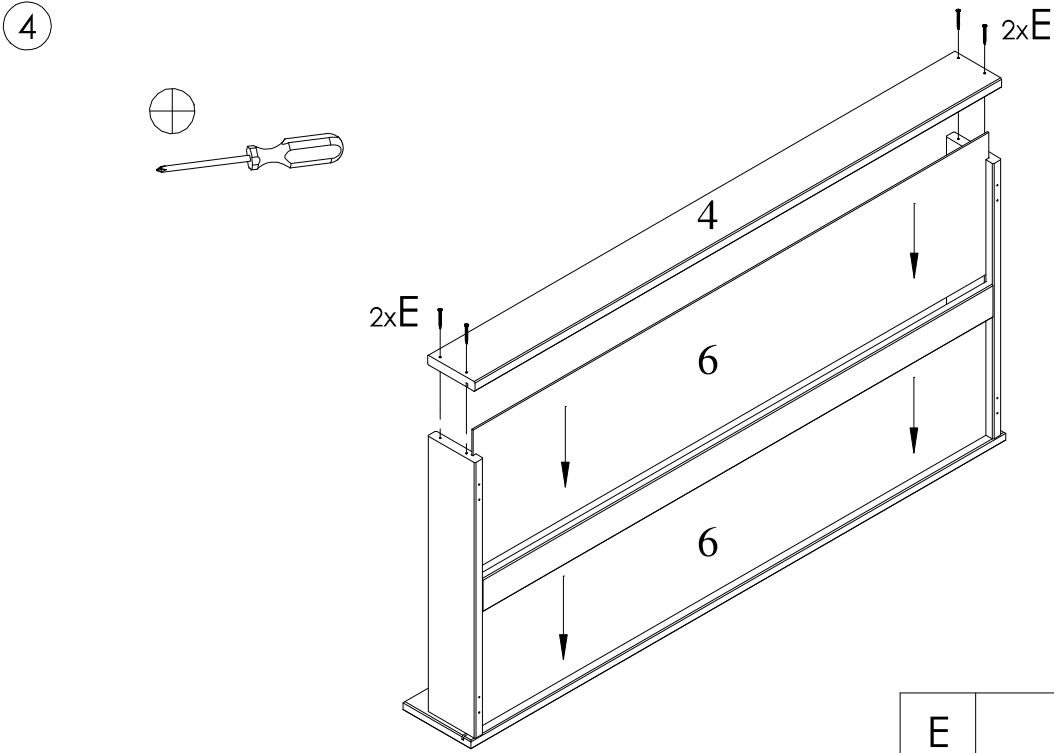



B		7x50	x2
C		D4x13	x2

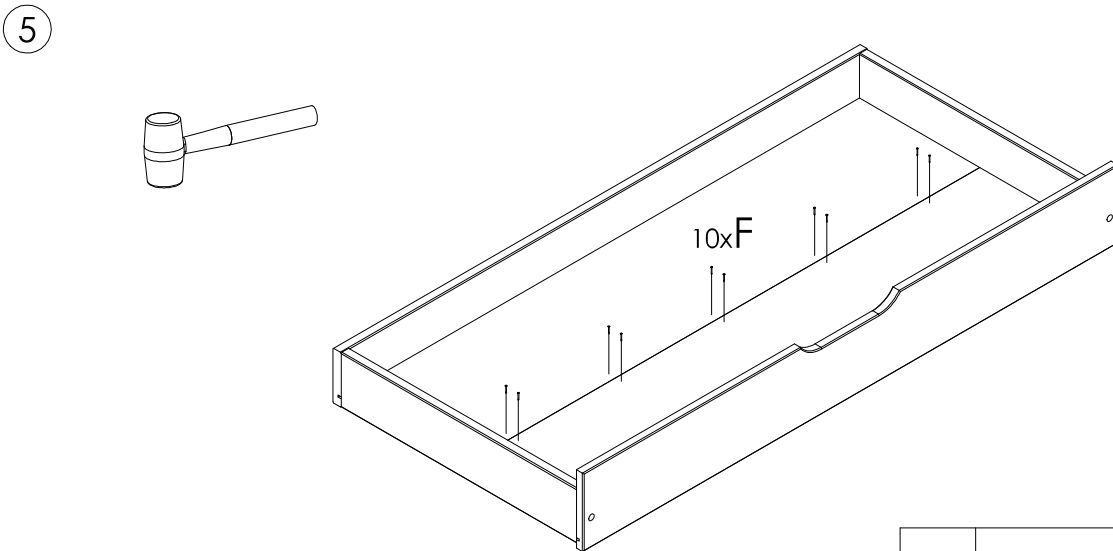
③




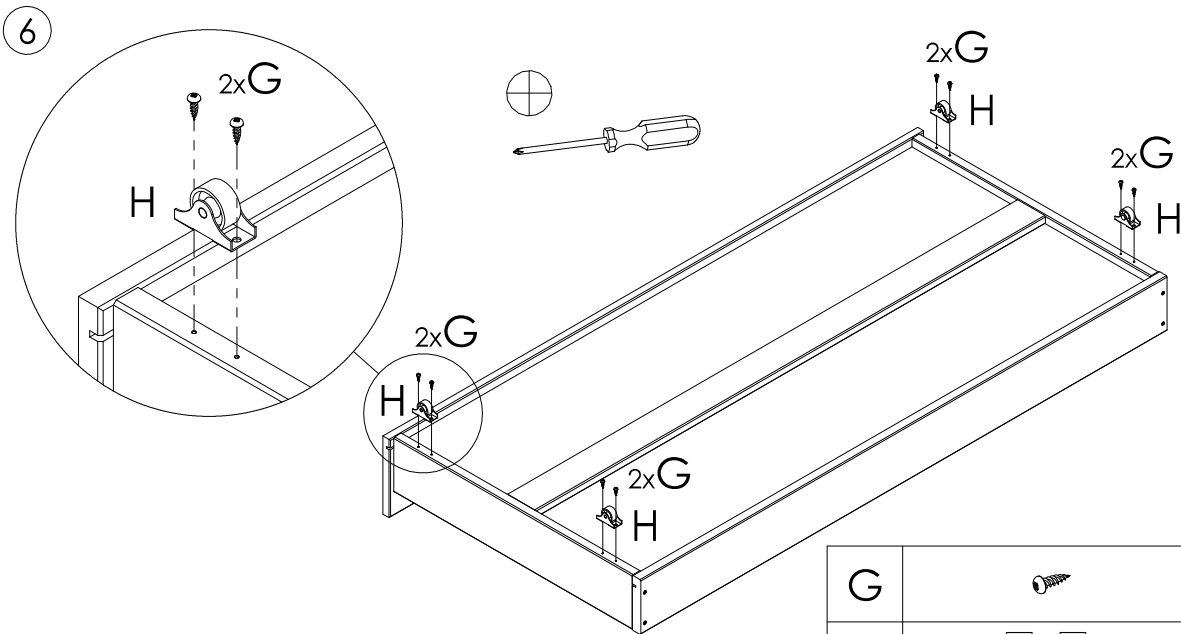
D		D8x18x12,5	x2
---	--	------------	----





E		3,5x40	x4
---	---	--------	----



F		1,2x16	x10
---	---	--------	-----



G		3,5x16	x8
H		D26	x8