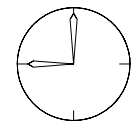
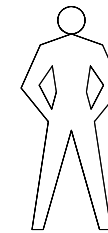
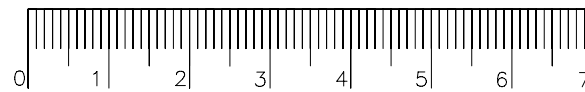
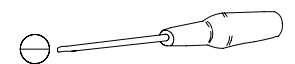
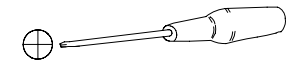
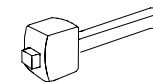
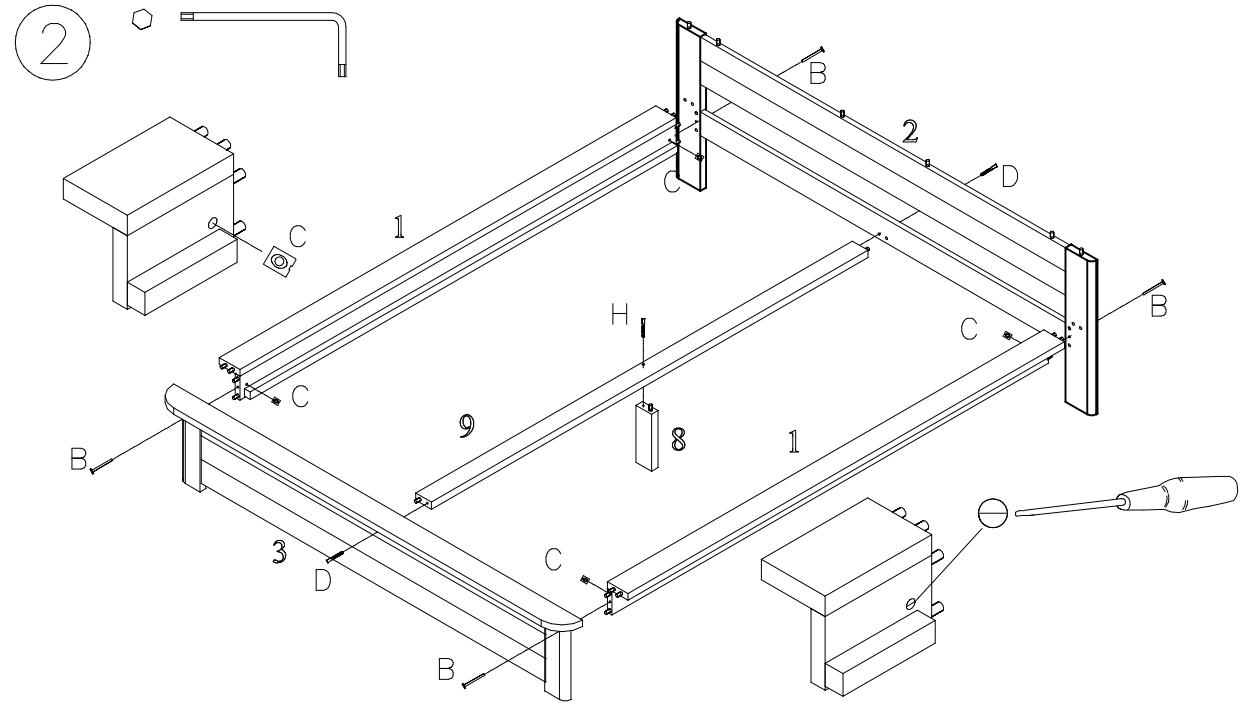
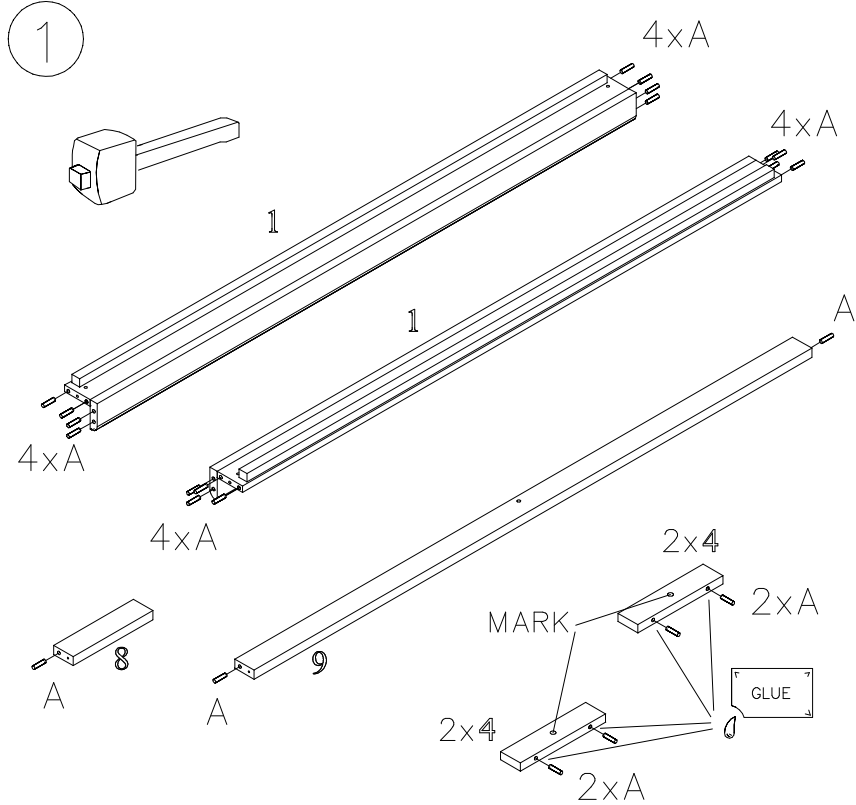


A		10x40	x33
B		M6x60	x4
C		M6x10x13	x4
D		7x50	x10
E		70x70	x2
F		3,5x16	x8
G		3,5x40	x6
H		7x60	x1



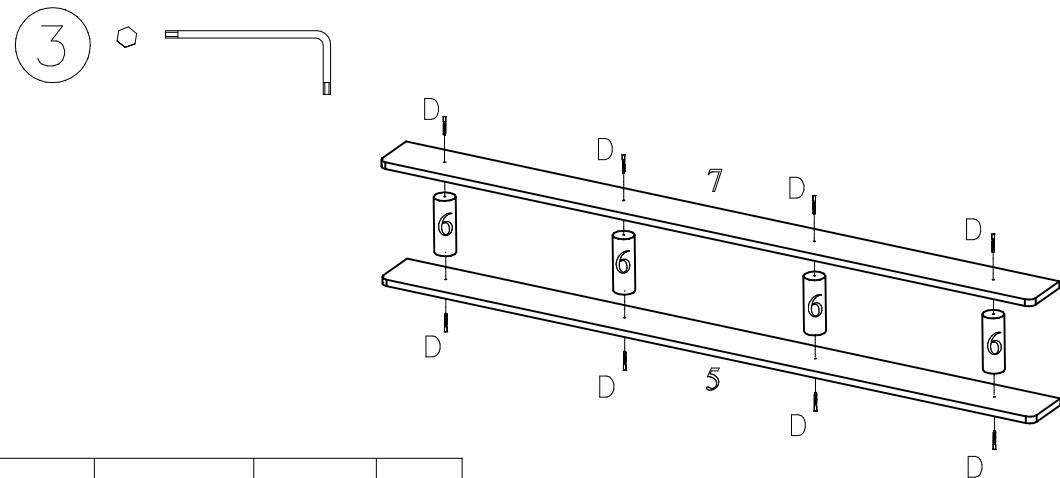
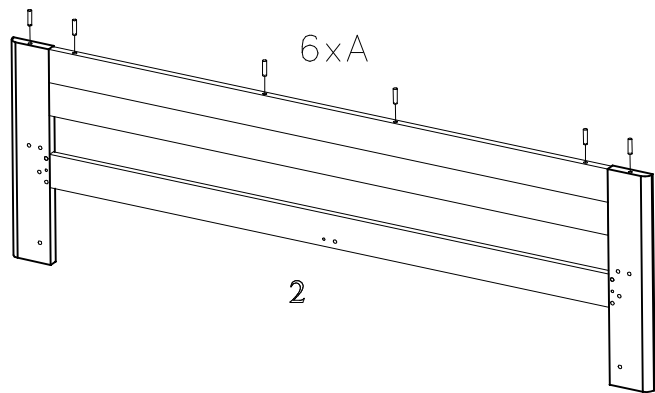
30 min.





B		M6x60	x4
C		M6x10x13	x4

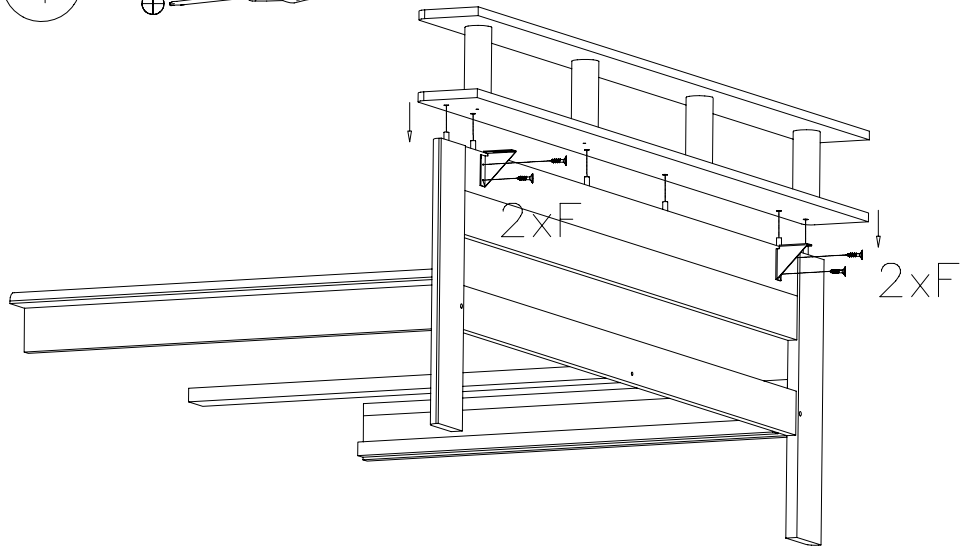
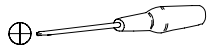
D		7x50	x2
H		7x60	x1



A		10x40	x33
---	--	-------	-----

D		7x50	x8
---	--	------	----

4



E



70x70

x2

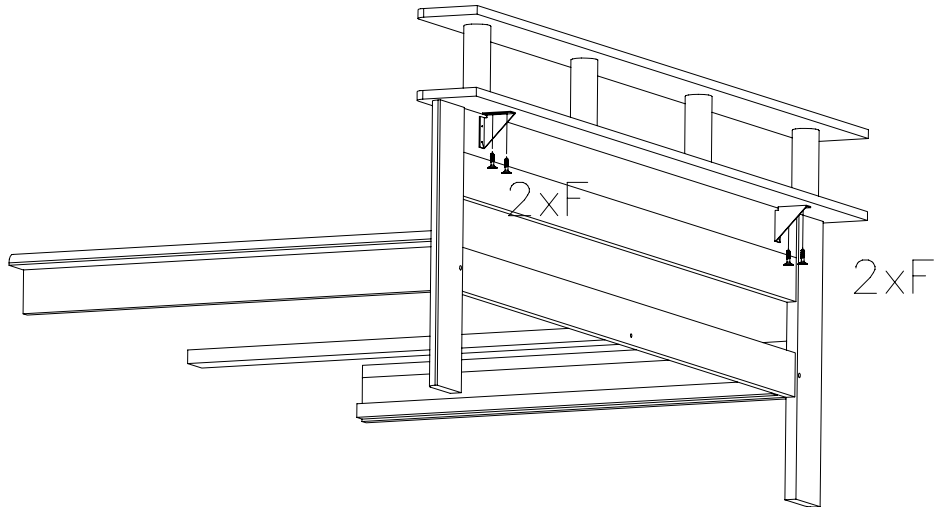
F



3,5x16

x4

5



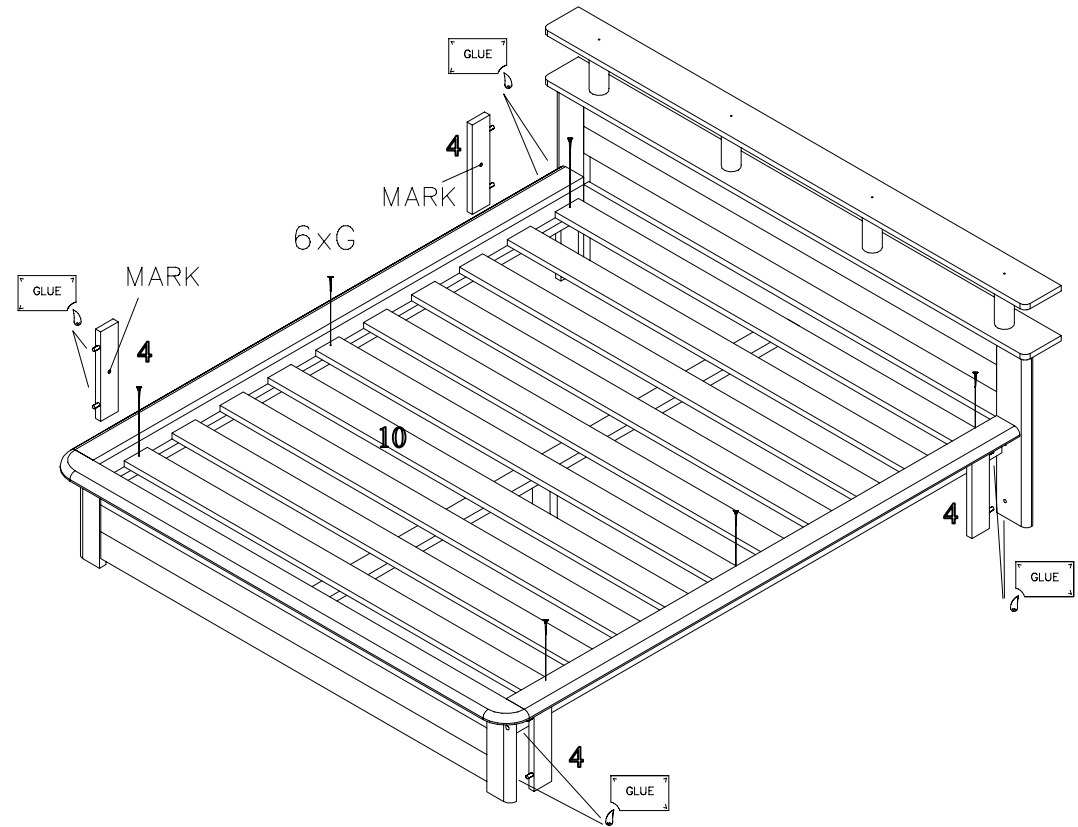
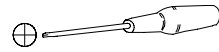
F



3,5x16

x4

6



G



3,5x40

x6