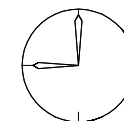
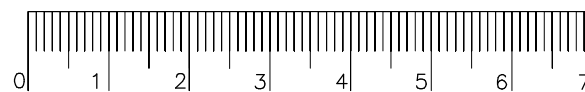
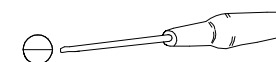
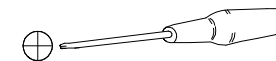
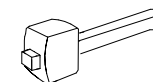
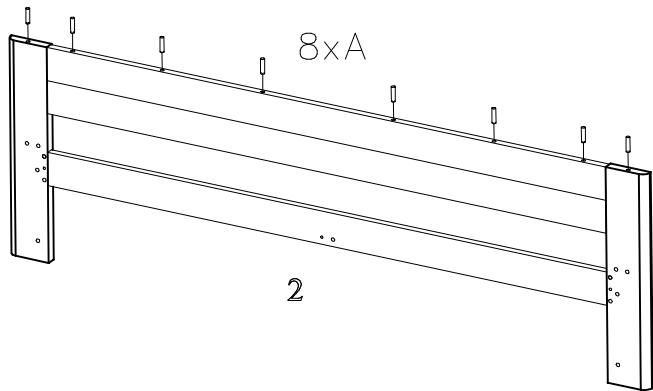
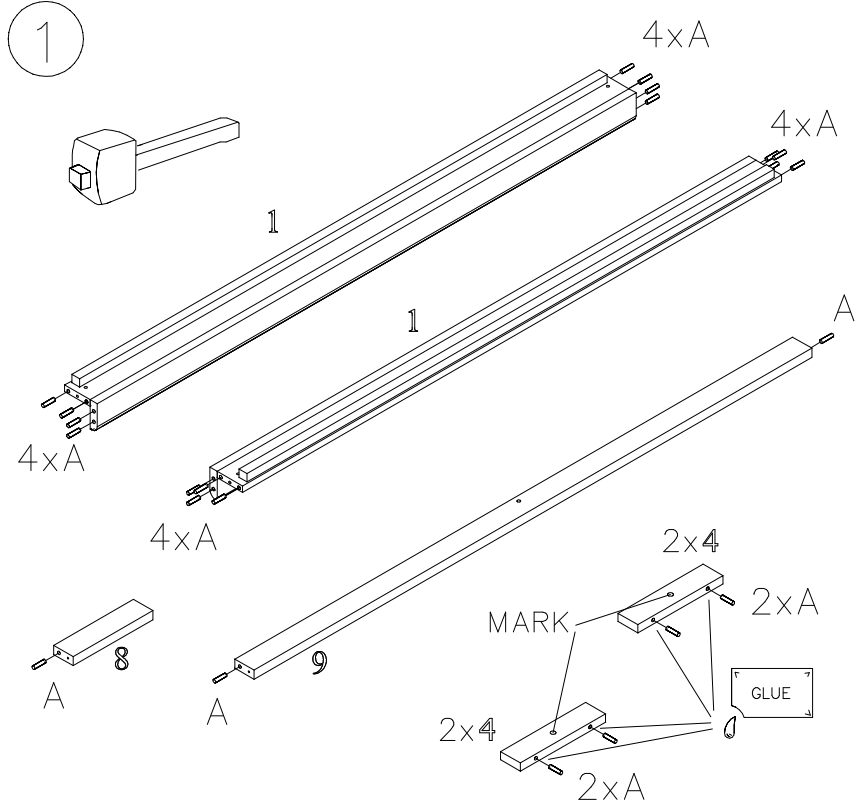


A		10x40	x35
B		M6x60	x4
C		M6x10x13	x4
D		7x50	x10
E		70x70	x2
F		3,5x16	x8
G		3,5x40	x6
H		7x60	x1

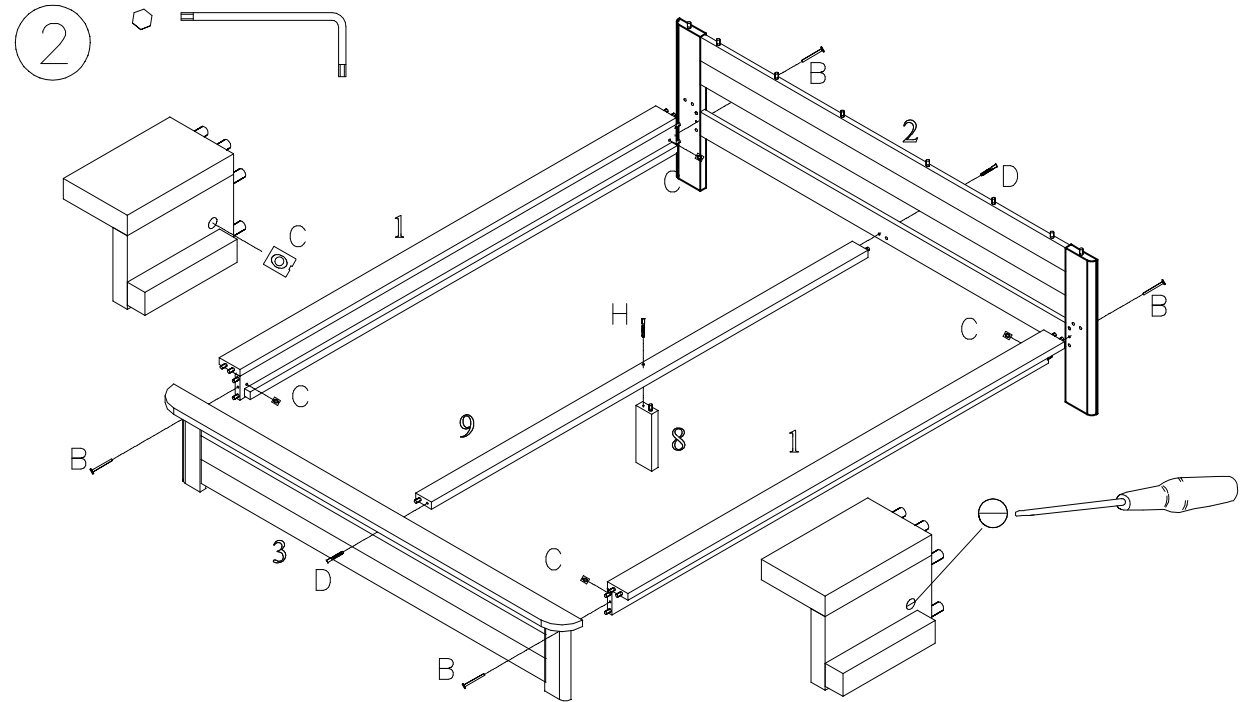


30 min.



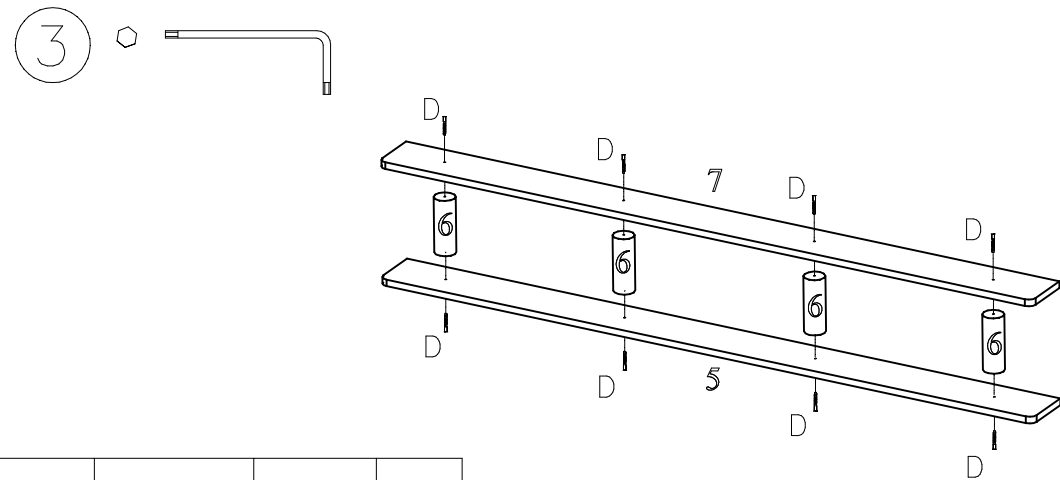


A		10x40	x35
---	--	-------	-----



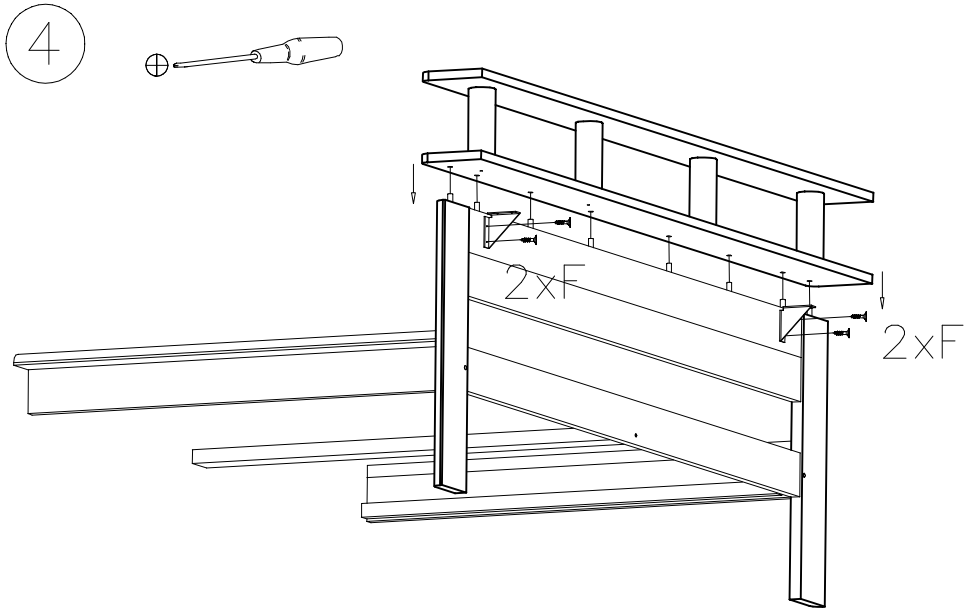
B		M6x60	x4
C		M6x10x13	x4

D		7x50	x2
H		7x60	x1

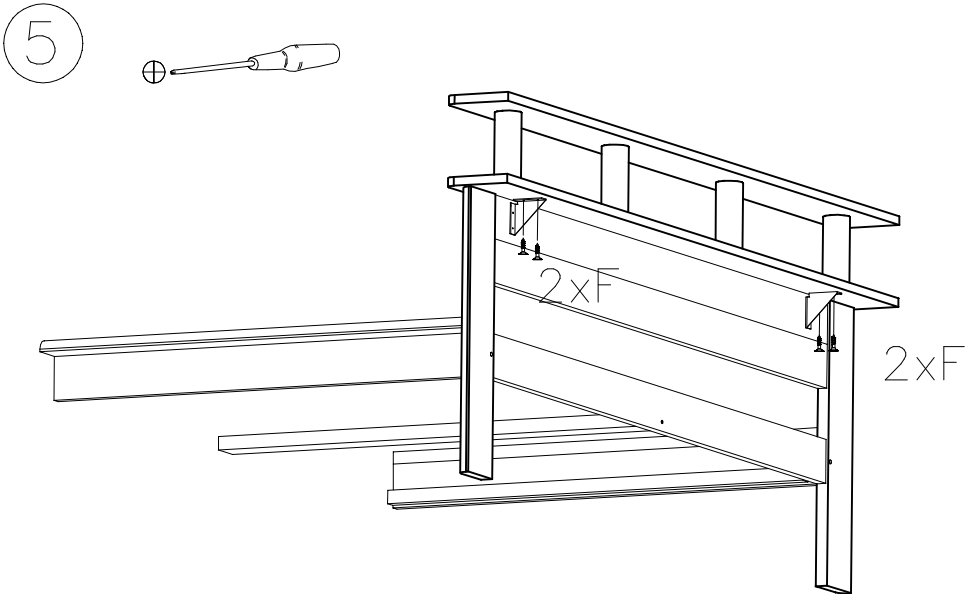


D		7x50	x8
---	--	------	----

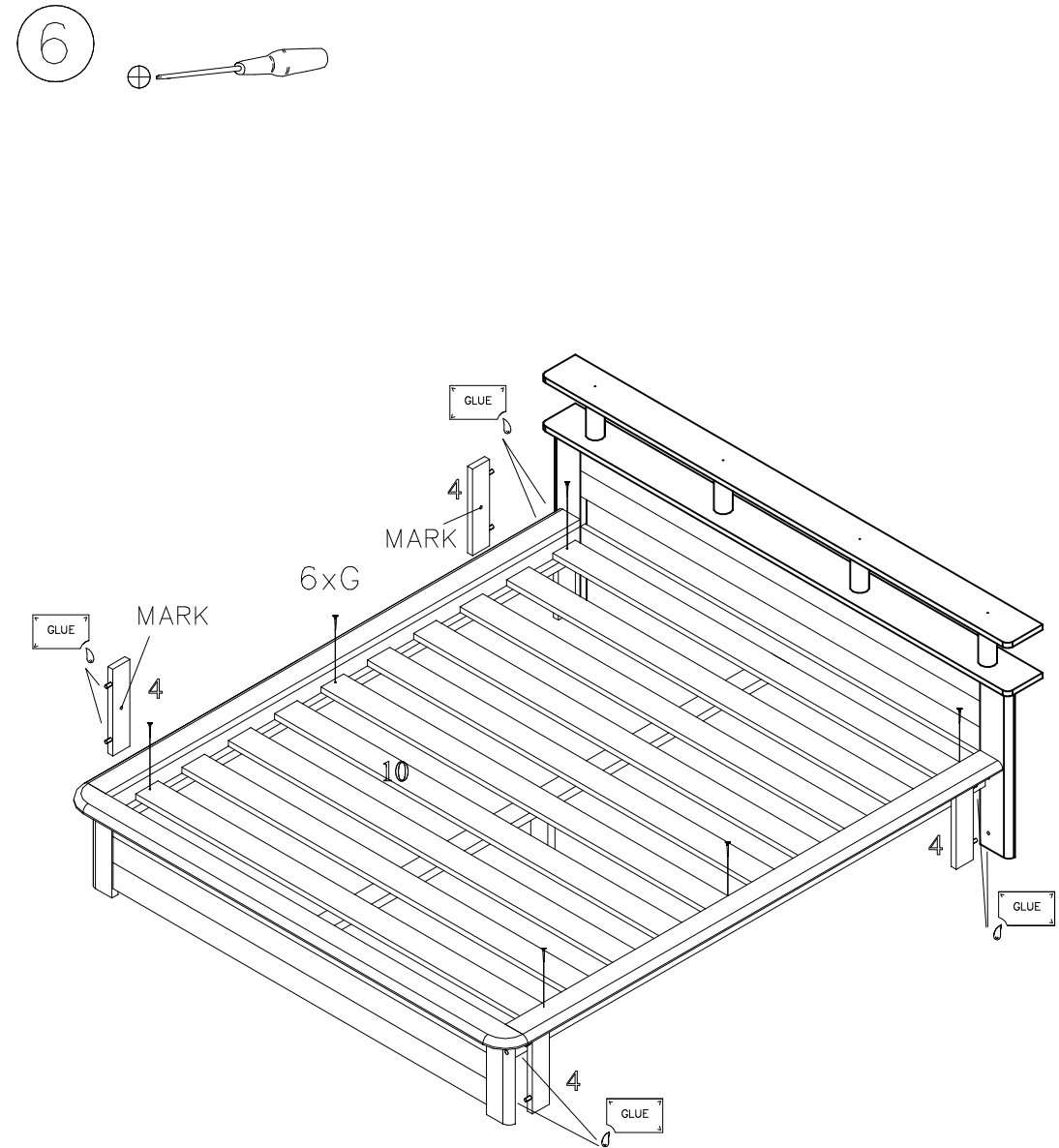
A		10x40	x35
---	--	-------	-----



E		70x70	x2	F		3,5x16	x4
---	--	-------	----	---	--	--------	----



F		3,5x16	x4
---	--	--------	----



G		3,5x40	x6
---	--	--------	----