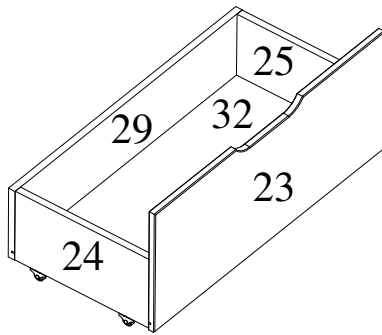
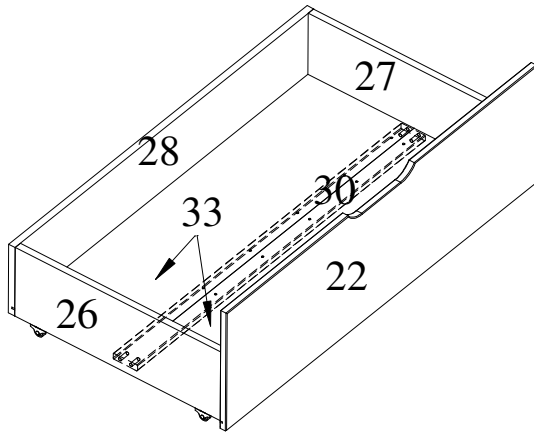


A		10x40	x24
B		10x30	x8
C		8x40	x24
D		7x50	x4
E		7x60	x9
F		D35	x6
G		M6x65	x4
H		M6x10x13	x4
J		7x34	x21
K		10x15	x21
L		1,6x16	x50

M		3,5x16	x16
N		D28	x8
P		M6x40	x4
R		M6x14x8,5	x4
S		5x35	x4
T		5x45	x2
U		D19x12	x2
V		D5x16	x16
		COLLE	x1
		4mm	x1

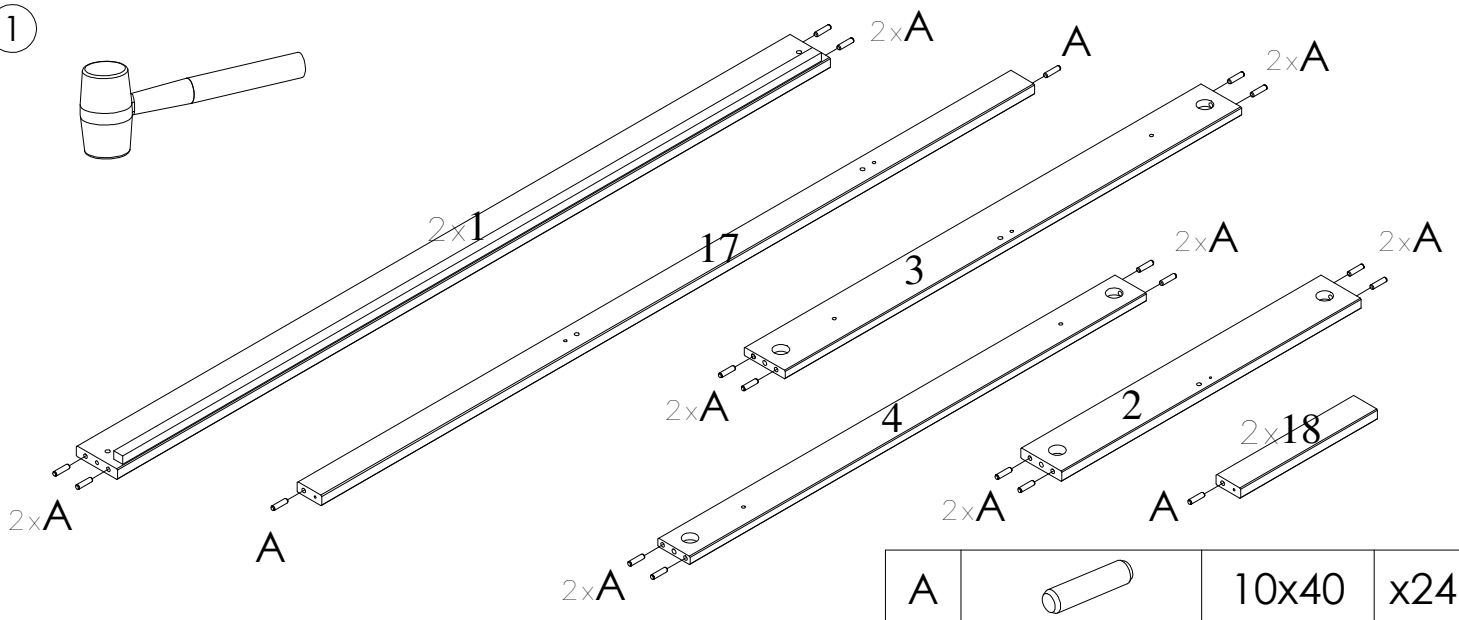
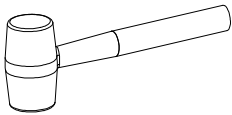
2x



1x

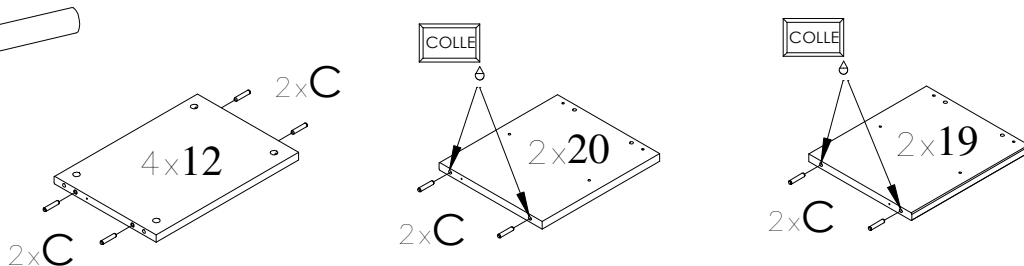
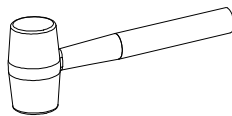
C		8x40	x20
J		7x34	x12
K		10x15	x12
Z		3,5x40	x12
M		3,5x16	x24
N		D28	x12
L		1,6x16	x25
T		5x45	x4
W		D19x18	x4

①



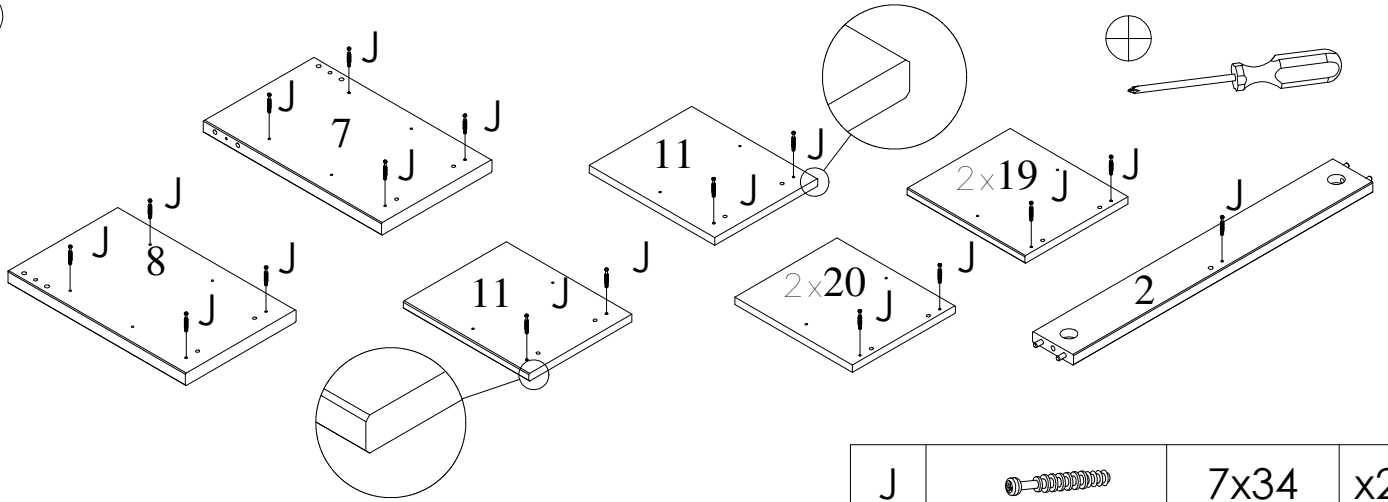
A		10x40	x24
---	--	-------	-----

②



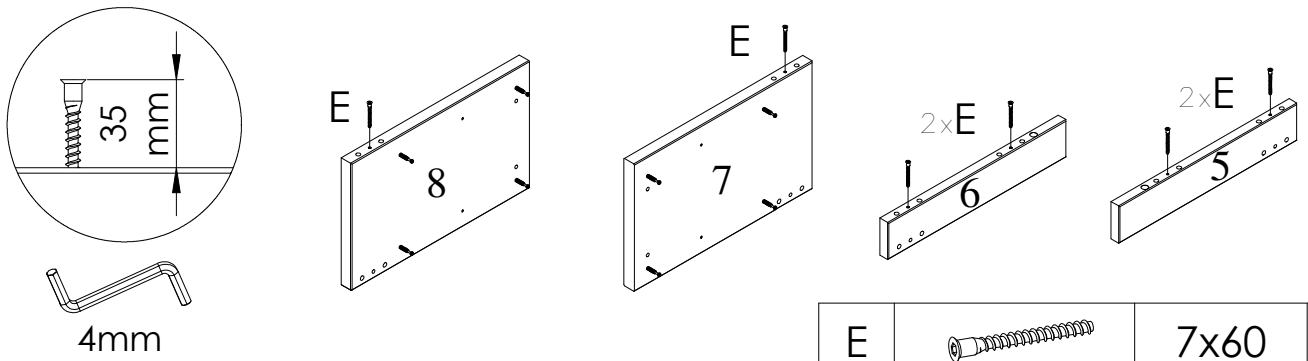
C		8x40	x24
---	--	------	-----


3



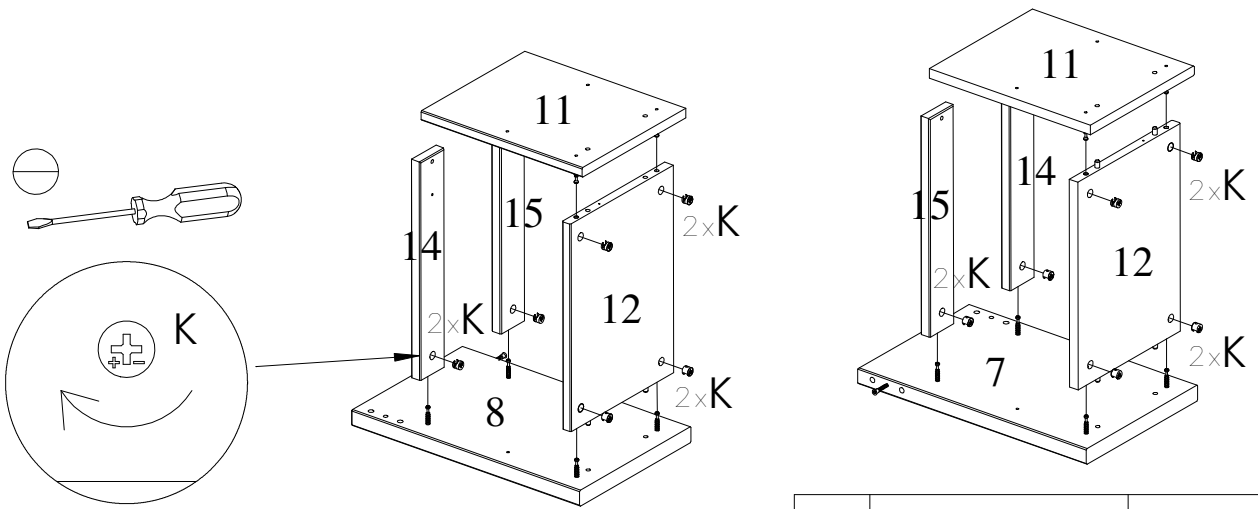
J		7x34	x21
---	---	------	-----


4



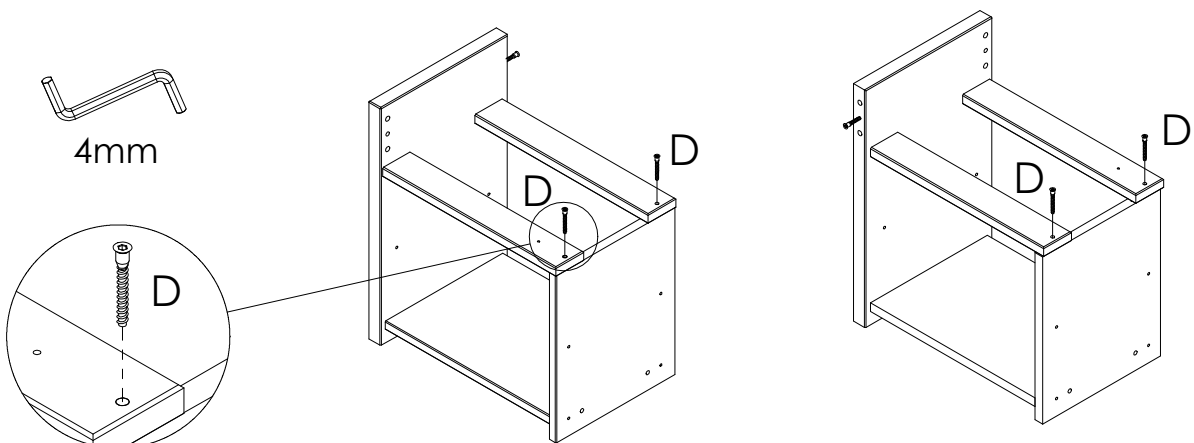
E		7x60	x6
---	--	------	----

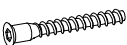
5



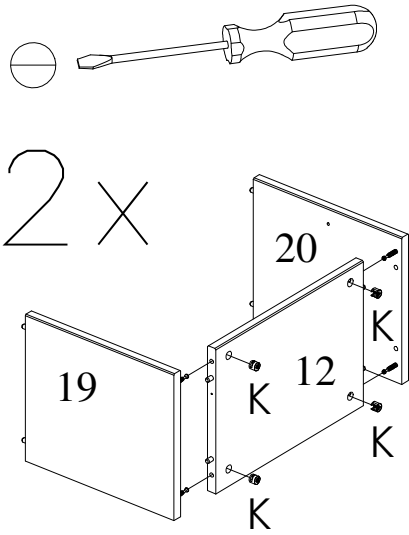
K		10x15	x12
---	---	-------	-----


6



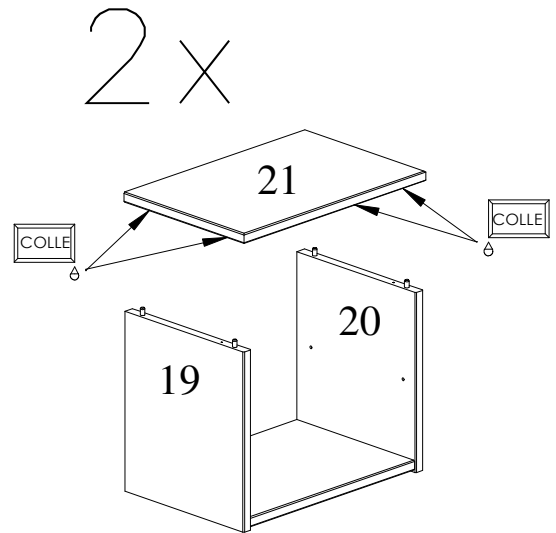
D		7x50	x4
---	---	------	----

7

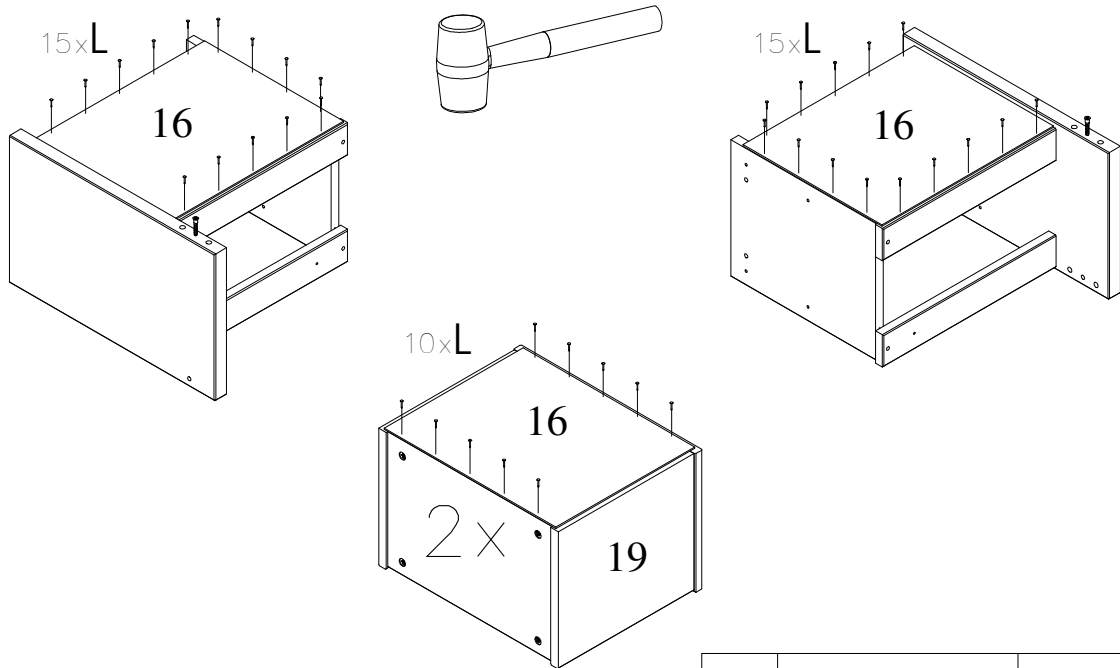


K		10x15	x8
---	---	-------	----

8

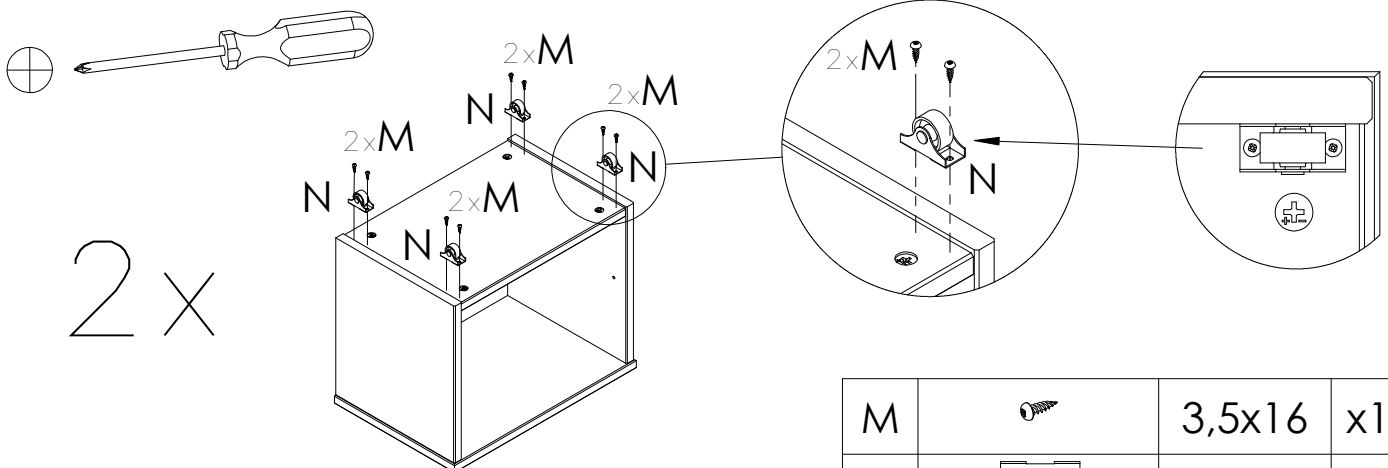



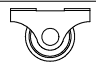
9



L		1,6x16	x50
---	---	--------	-----

10



M		3,5x16	x16
N		D28	x8

11

4mm

10

U

F

T

2

F

U

T

F		D35	x2
T		5x45	x2
U		D19x12	x2

12

4mm

F

6

F

3

F

4

F

5

F		D35	x4
---	--	-----	----

13

4x B

2x10

~~B~~

B		10x30	x8
---	--	-------	----

14

2x S

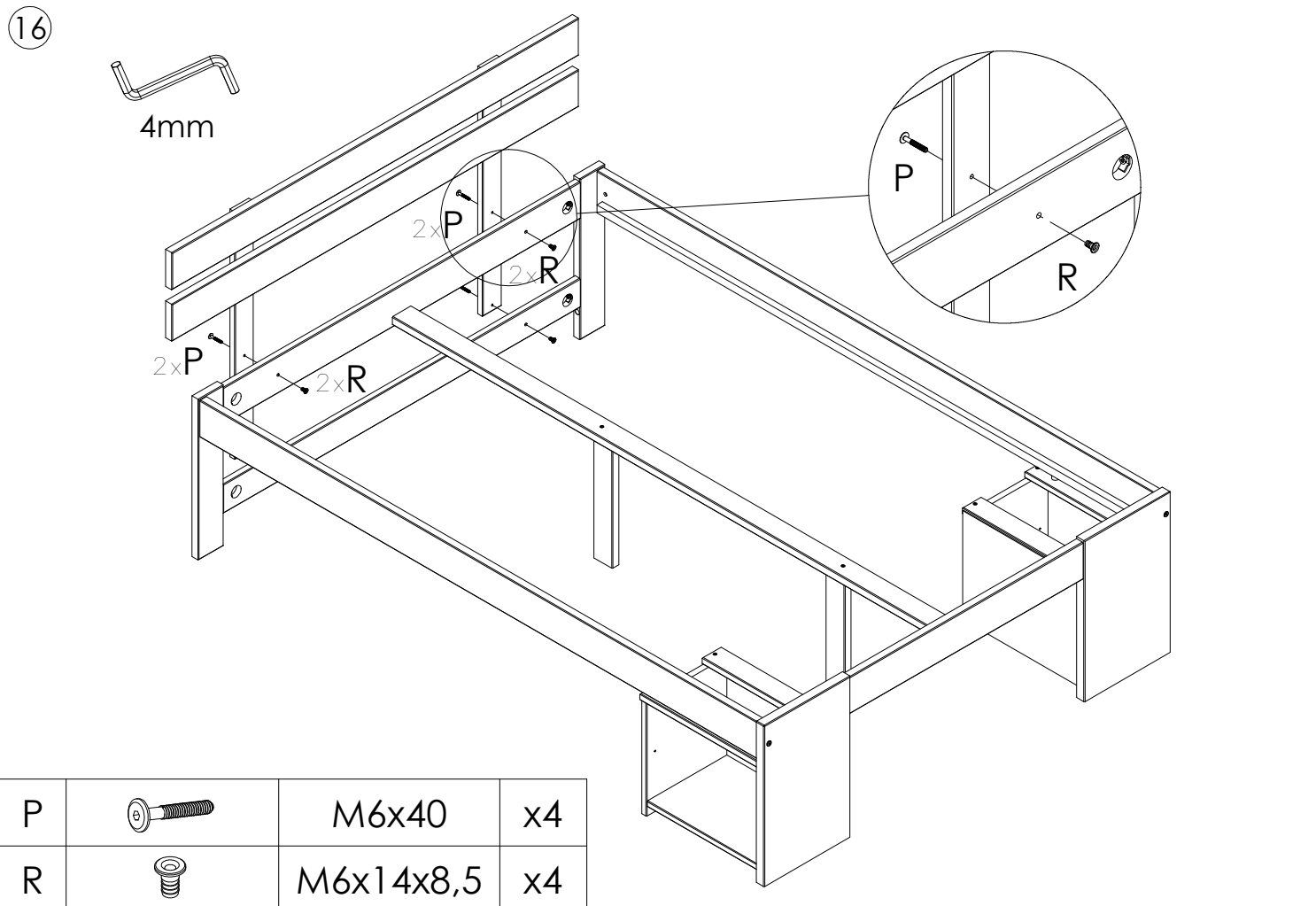
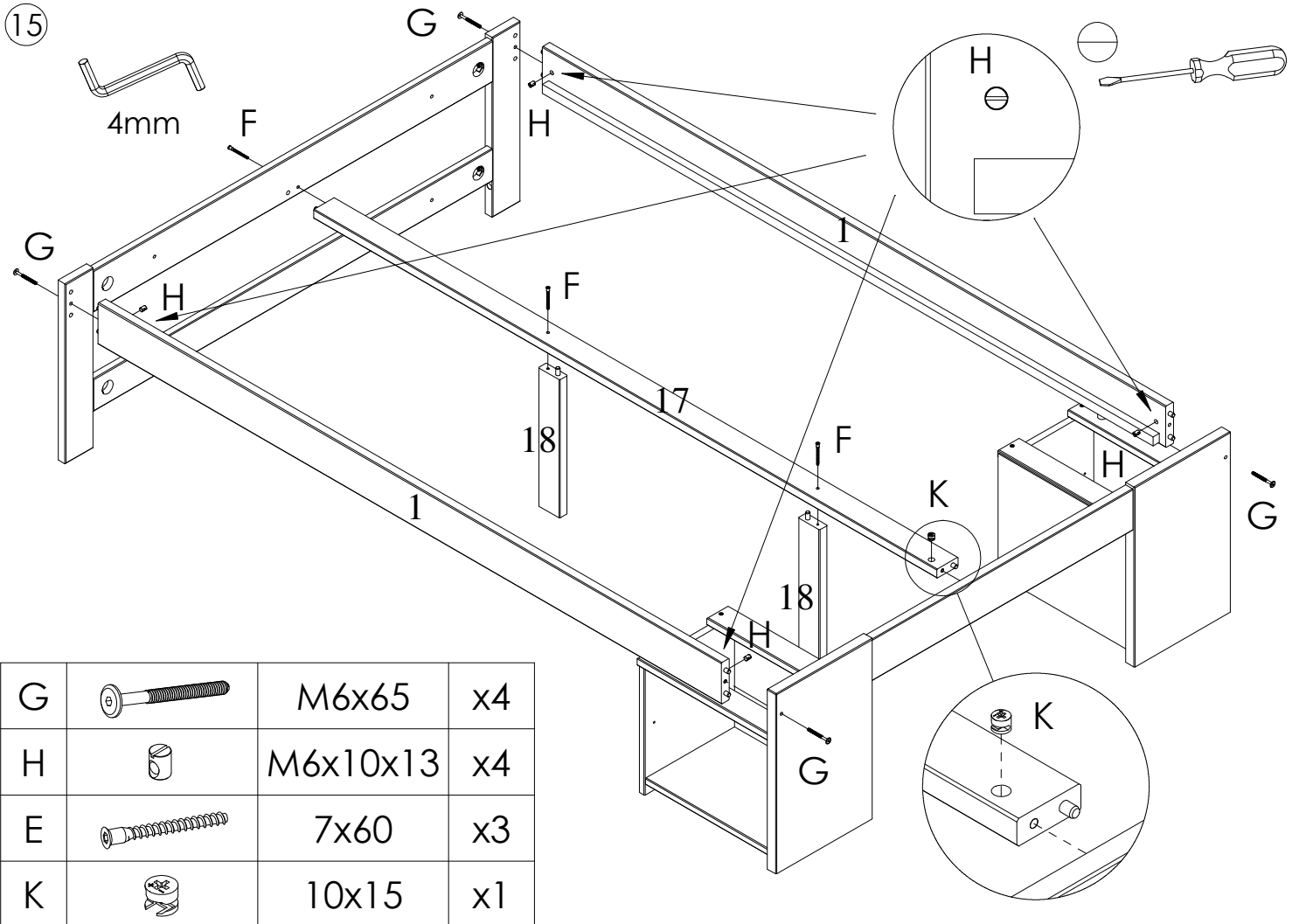
9

9

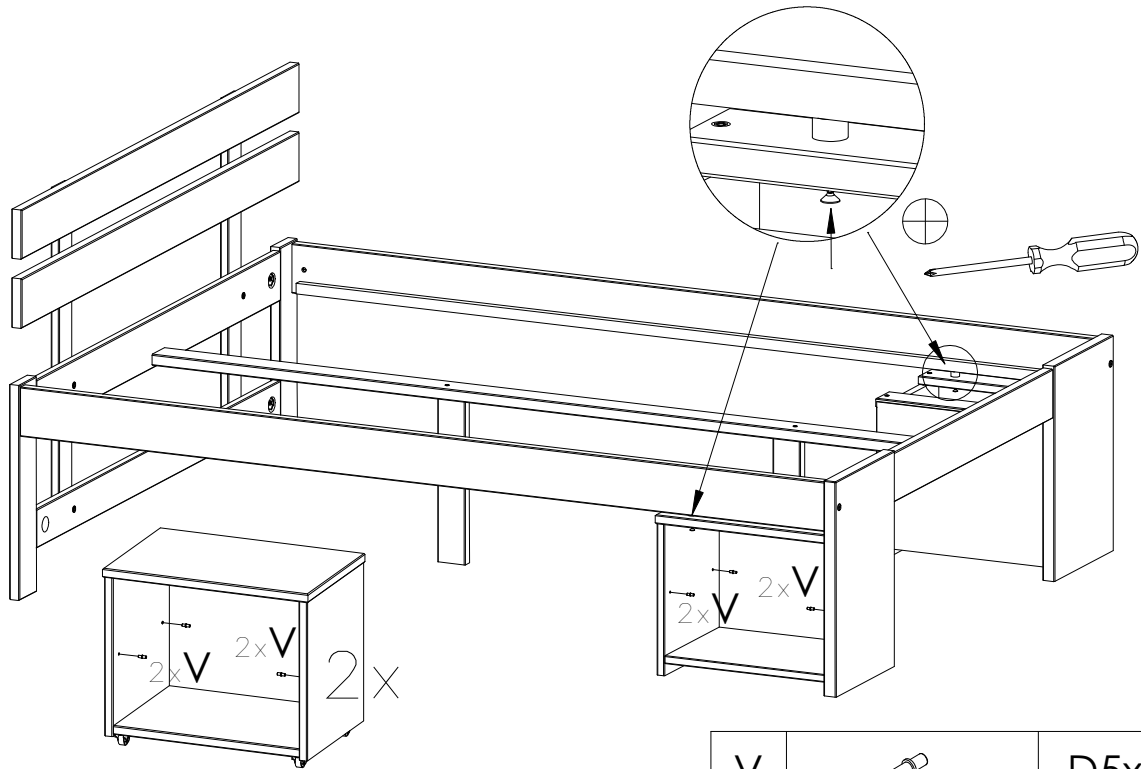
10

10

S		5x35	x4
---	--	------	----



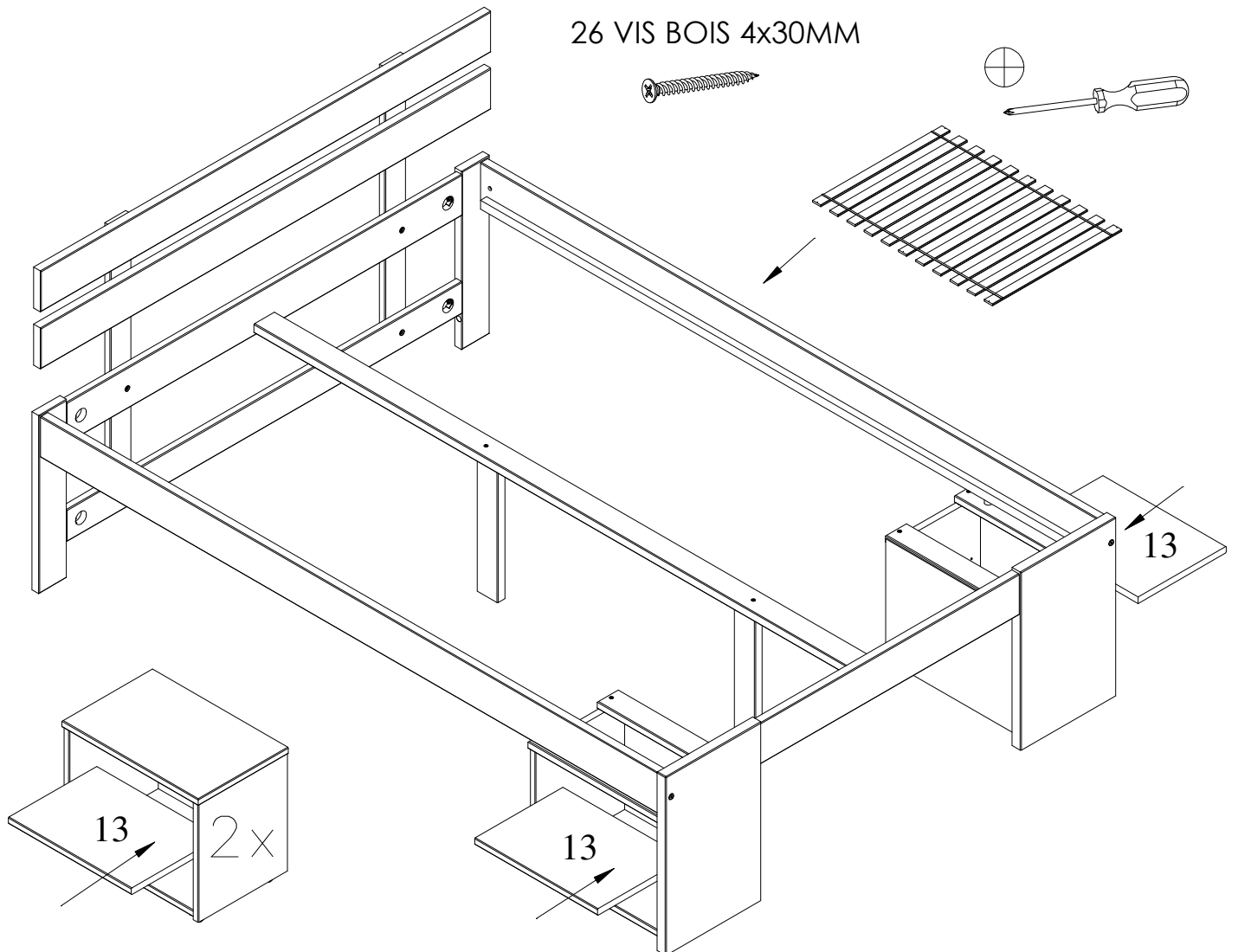
17



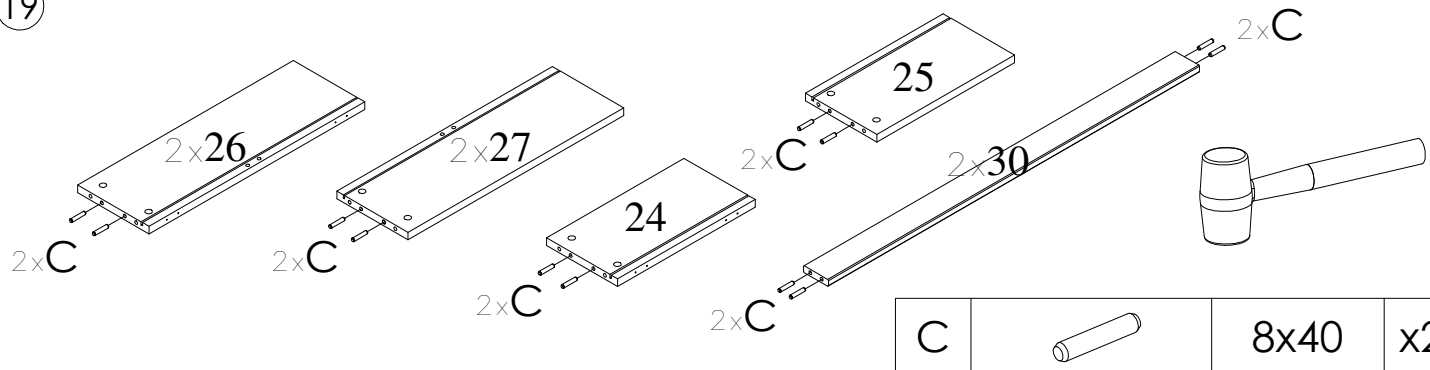
18

VIS POUR FIXATION DU SOMMIER DEROULEUR

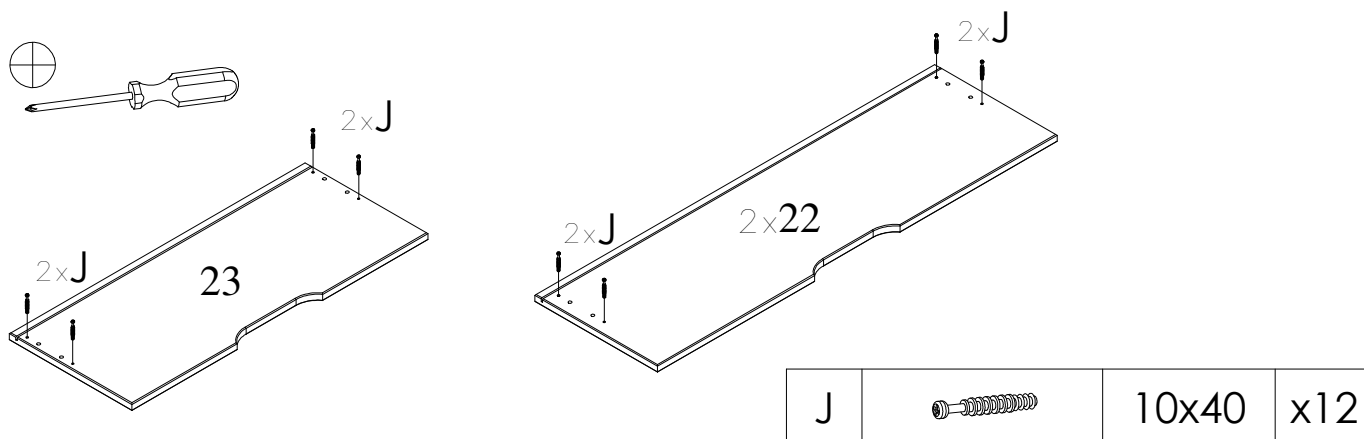
26 VIS BOIS 4x30MM



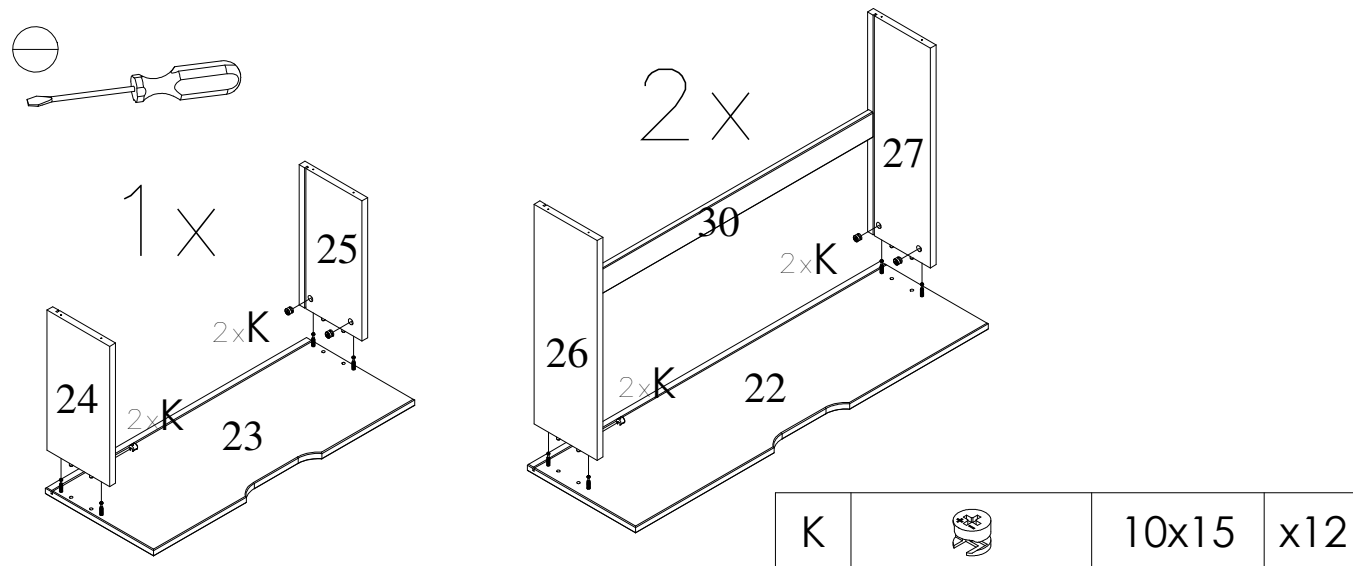
19



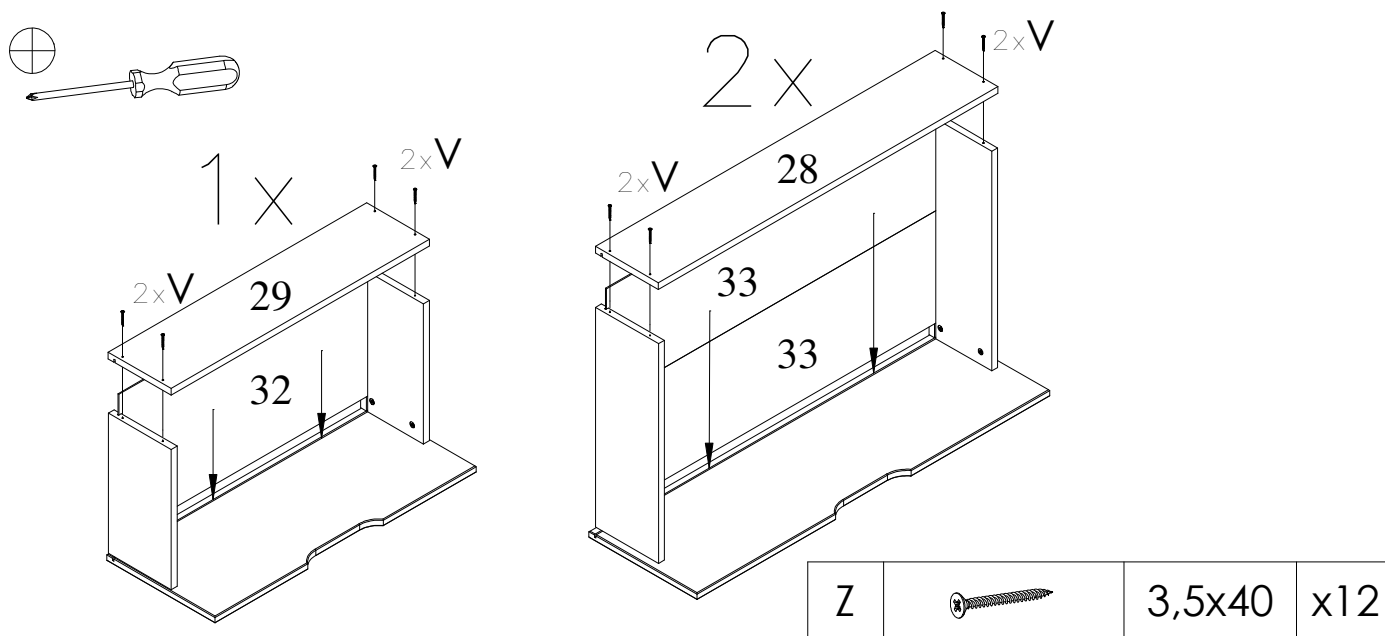
20



21

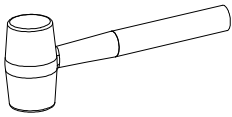


22

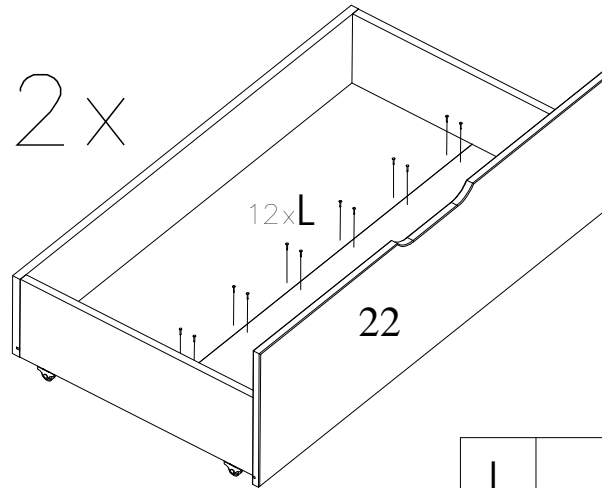




23

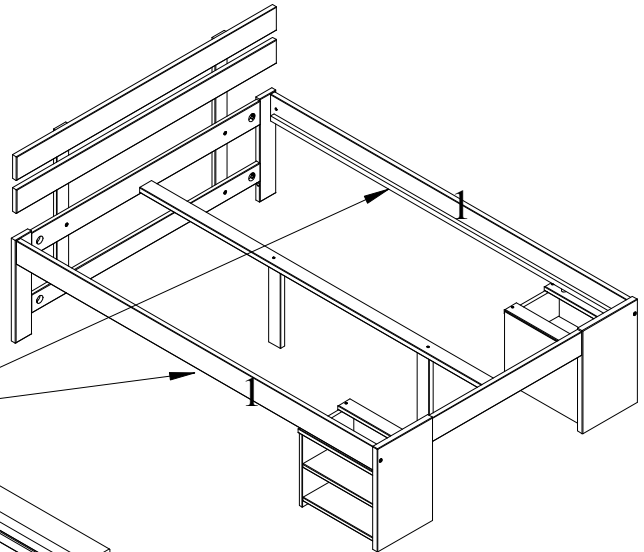
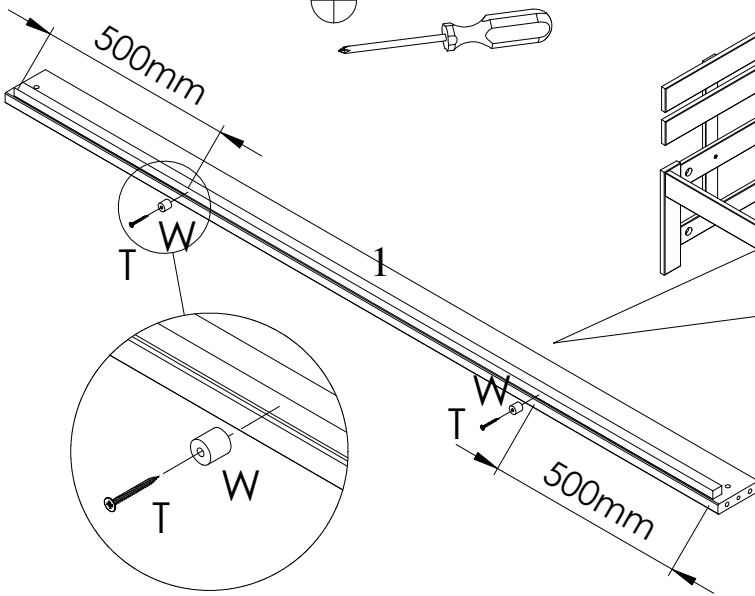
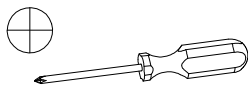


2x



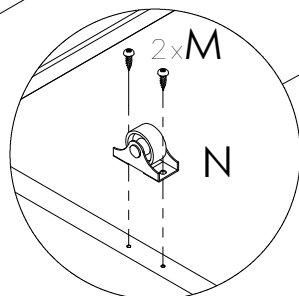
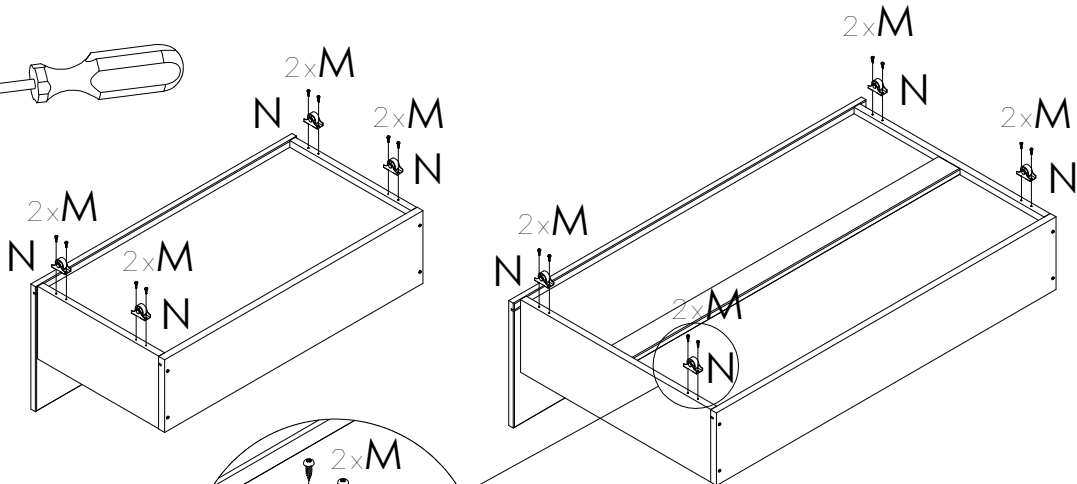
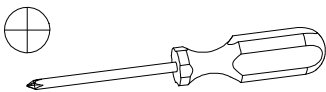
L		1,6x16	x25
---	--	--------	-----

24



T		5x45	x4
W		D19x18	x4

25



N		D28	x8
M		3,5x16	x16