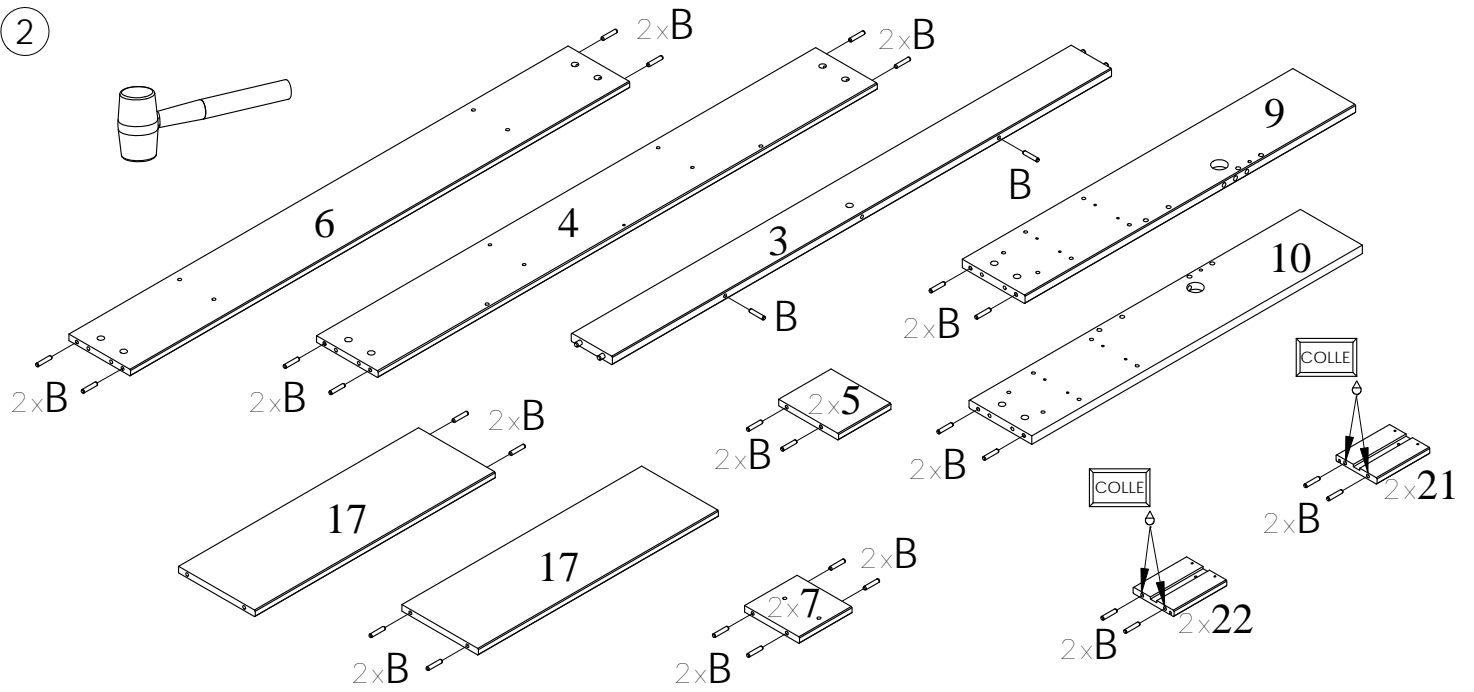
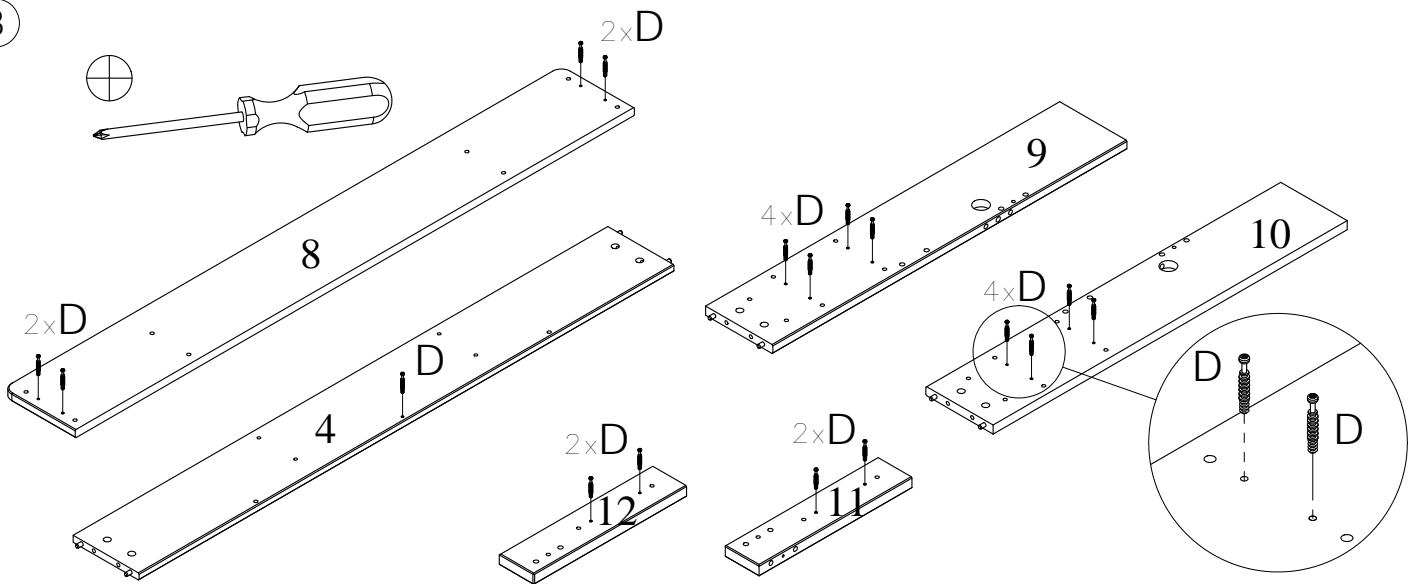


2



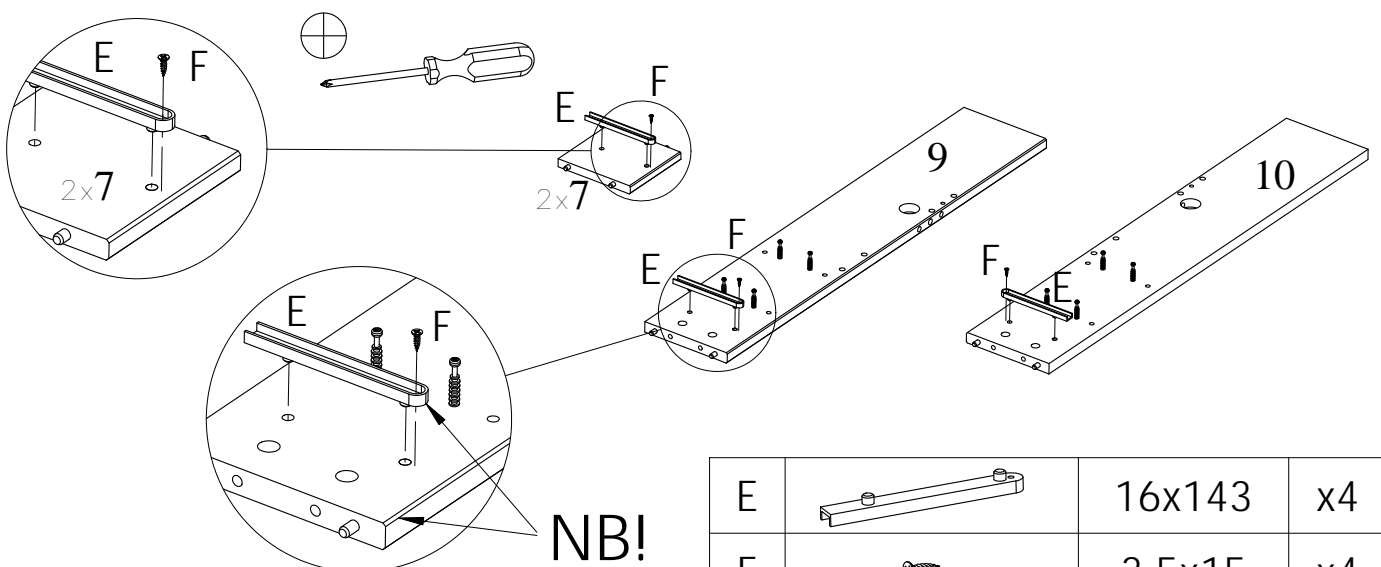
B		8x40	x38
---	--	------	-----

3



D		7x34	x17
---	--	------	-----

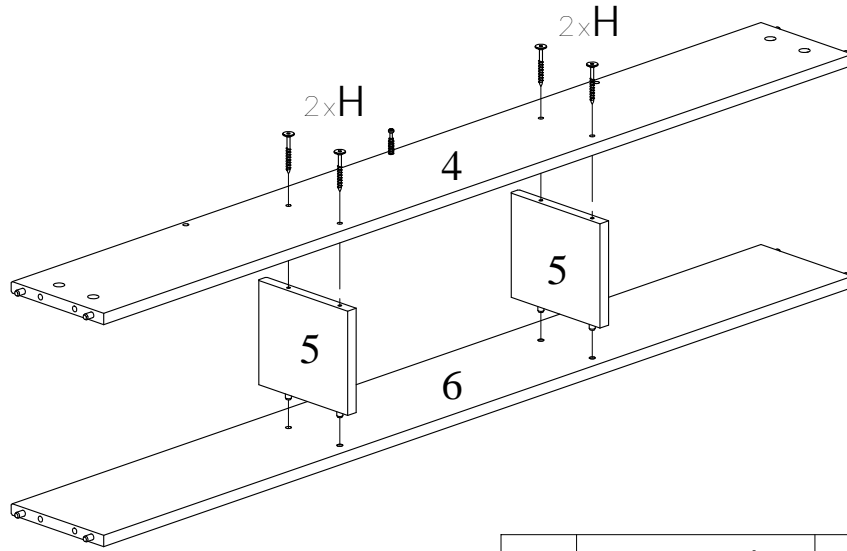
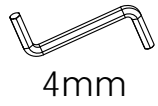
4



E		16x143	x4
F		3,5x15	x4

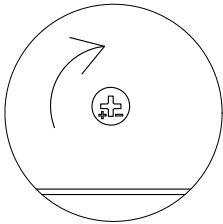
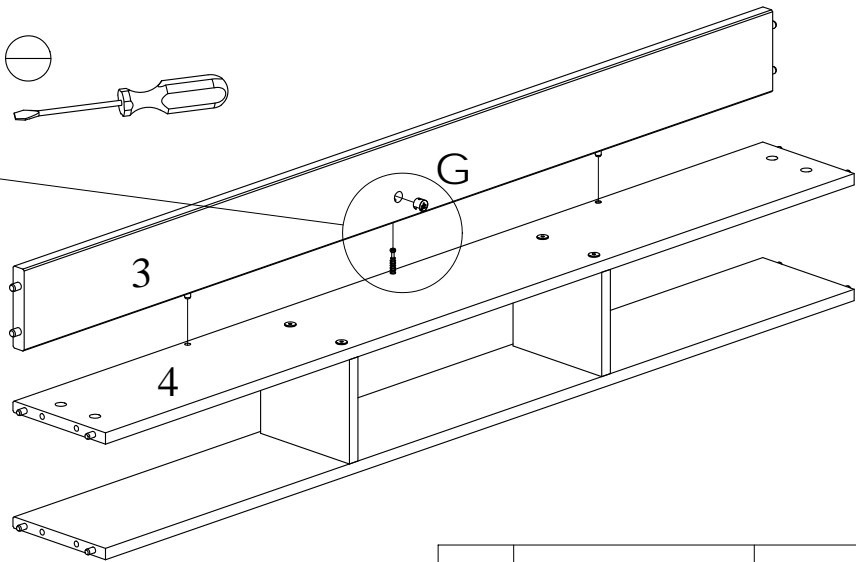
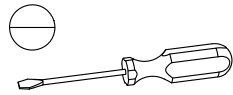
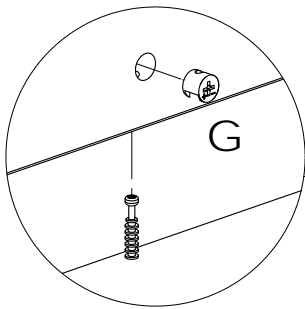
NB!

5



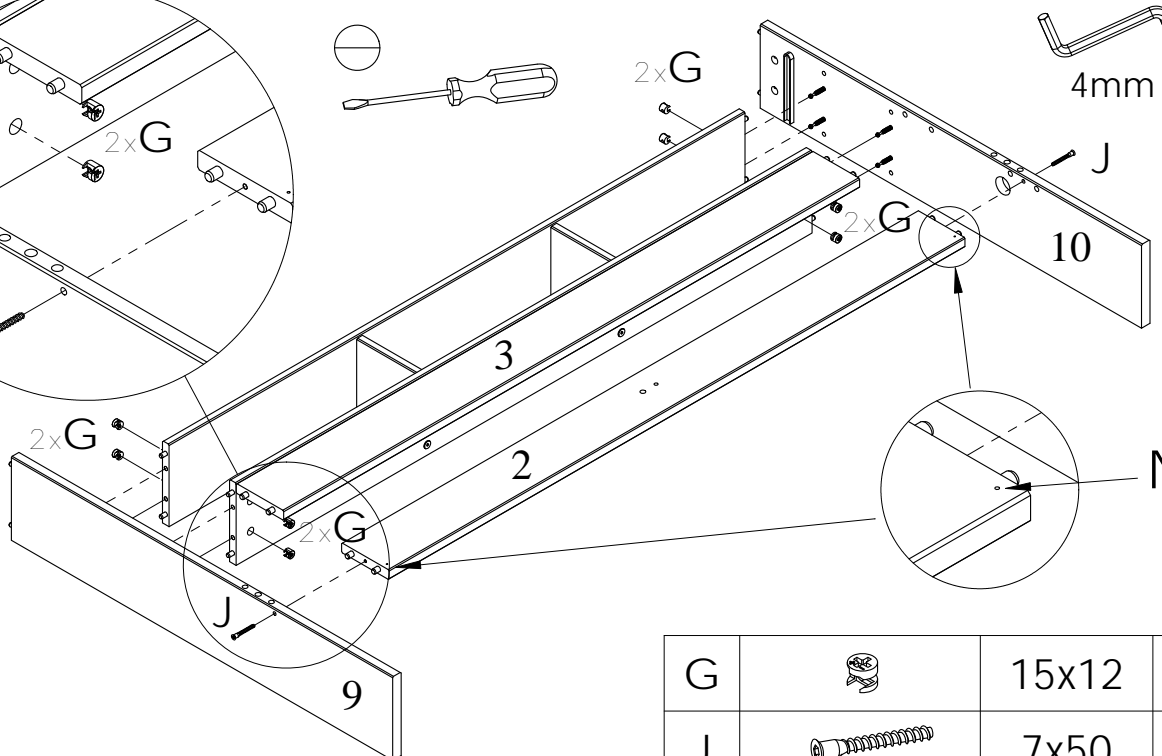
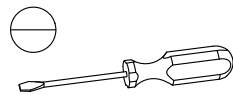
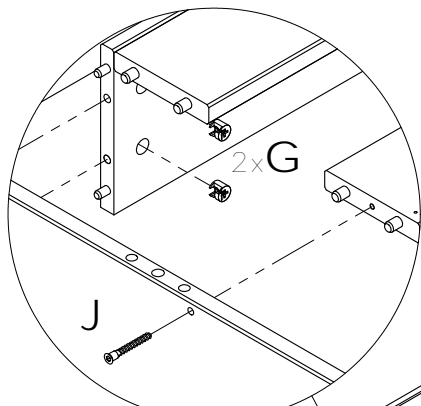
H		55/12,5x5	x4
---	--	-----------	----

6



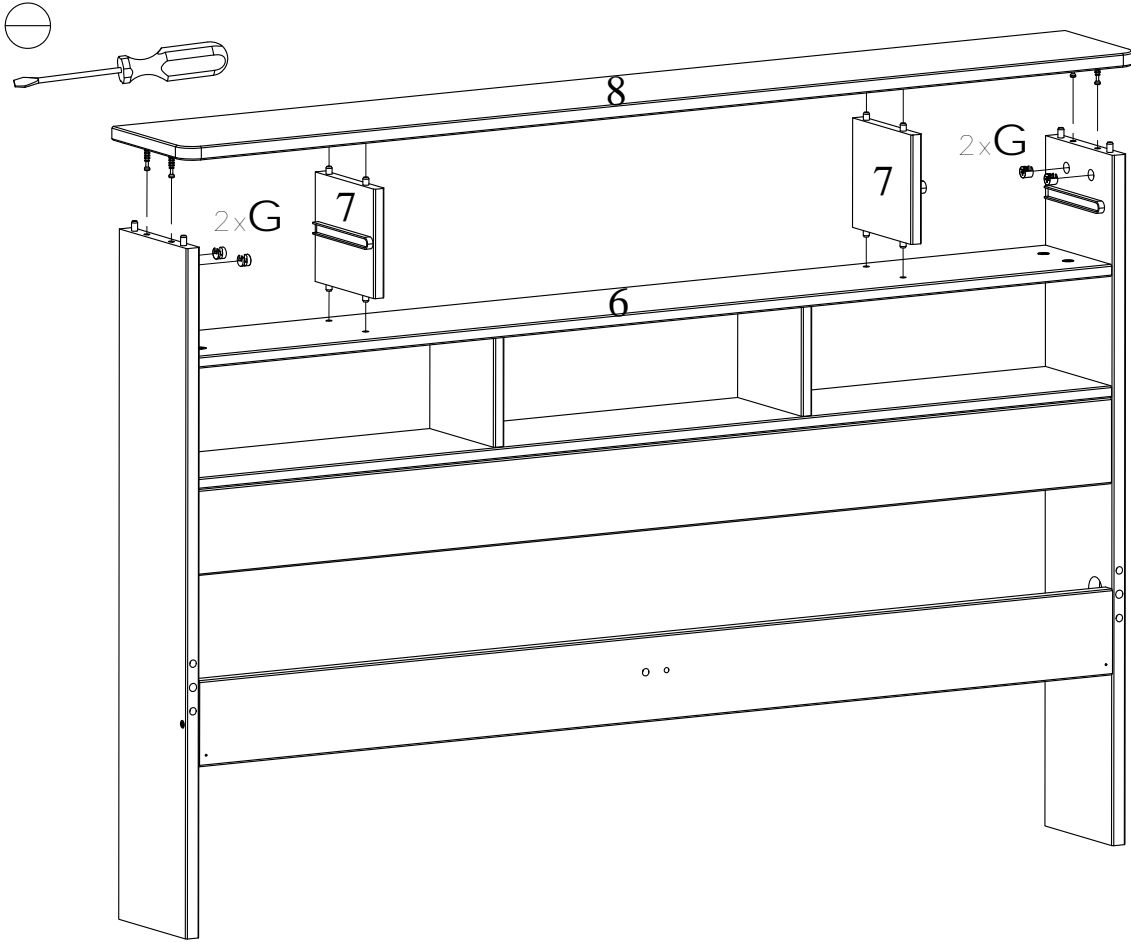
G		15x12	x1
---	--	-------	----

7



G		15x12	x8
J		7x50	x2

8



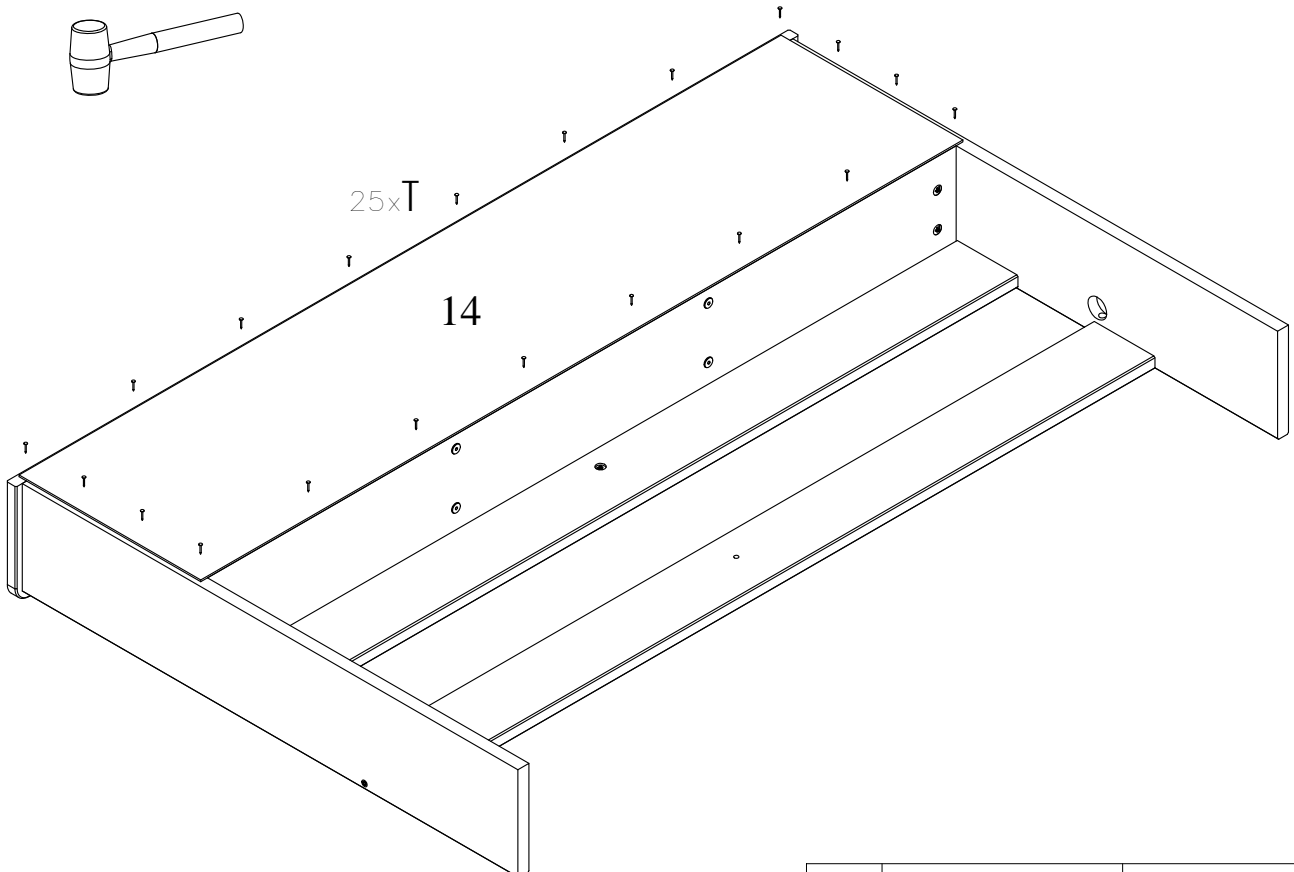
G



15x12

x4

9



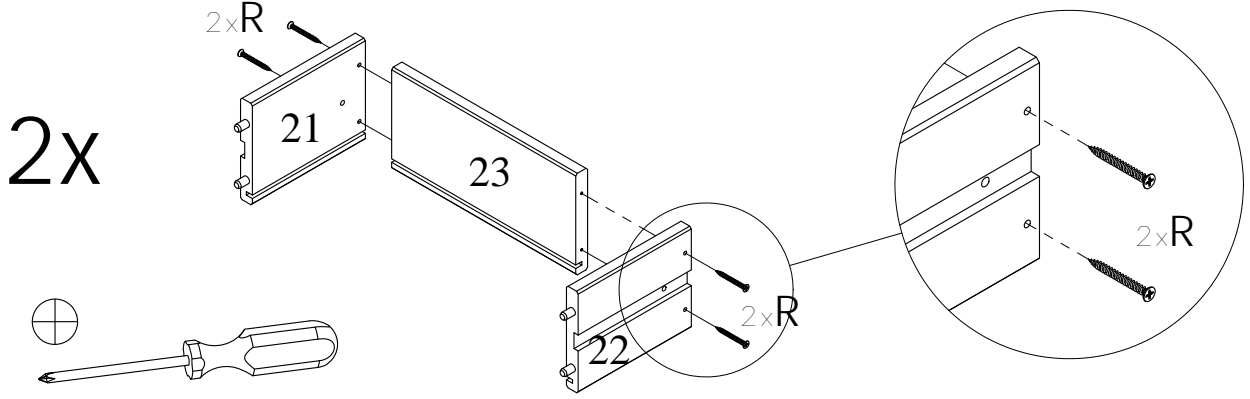
T



1,6x16

x25

10



2x

2xR

21

23

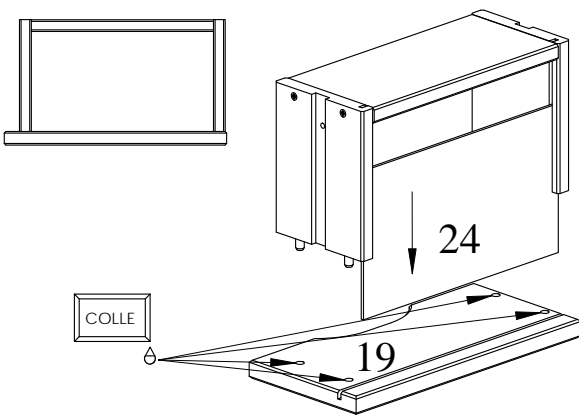
22

2xR

2xR

R		3,5x40	x8
---	---	--------	----

11

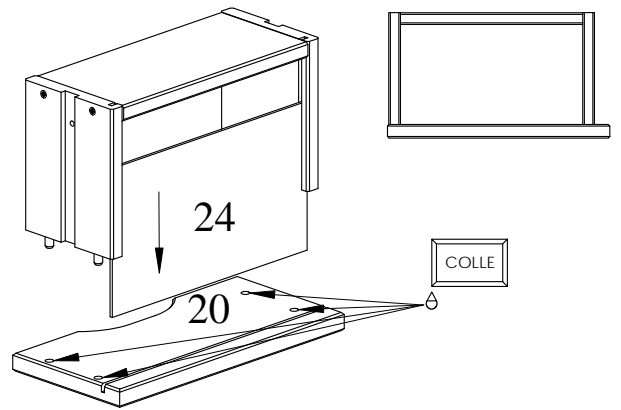


COLLE

24

19

12

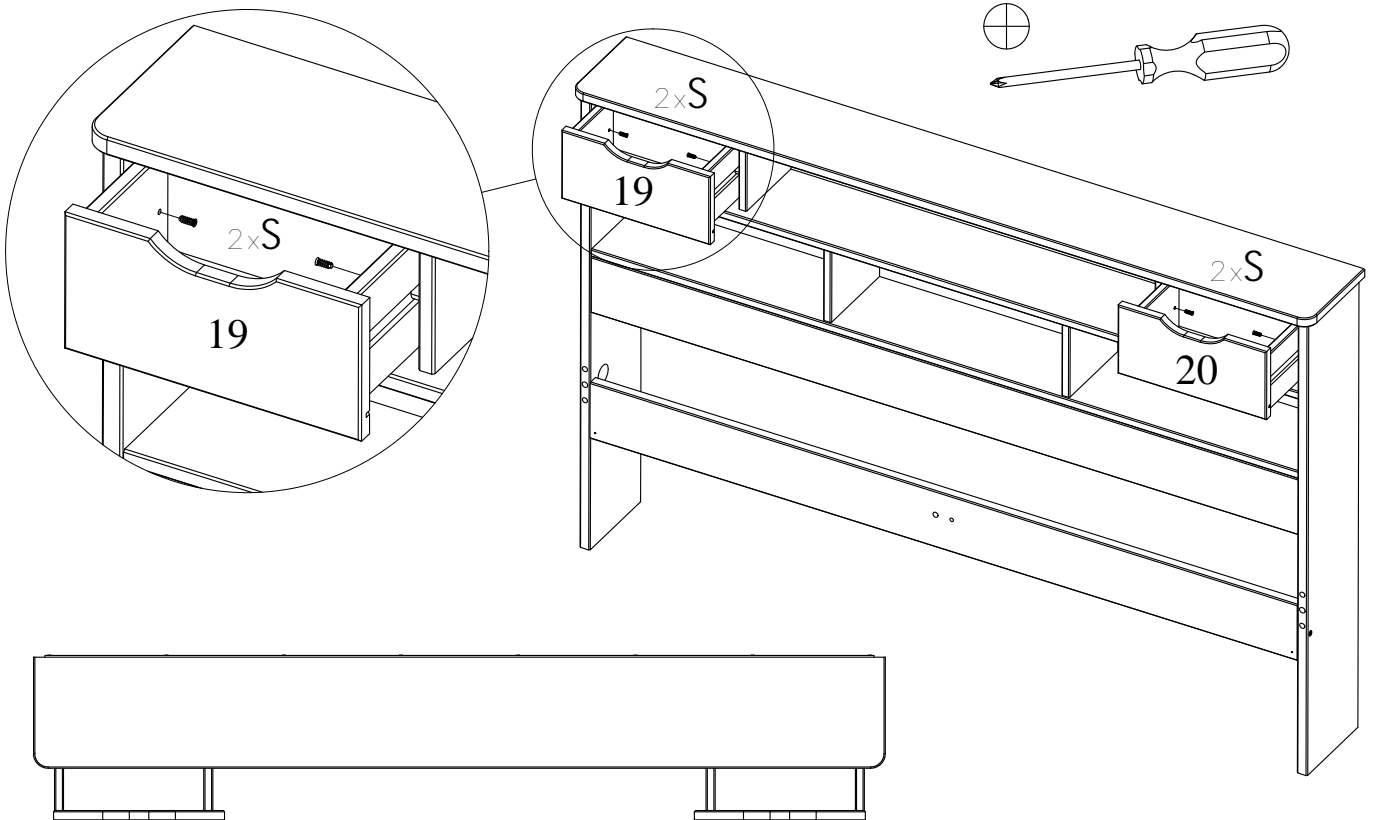


COLLE

24

20

13



2xS


19

2xS

19

2xS

20

S		14,5x6,1x7,8	x4
---	---	--------------	----